

PLEASE CHECK WWW.MOLEX.COM FOR LATEST PART INFORMATION

Part Number: [0472713008](#)
Status: **Active**
Overview: [displayport](#)
Description: Upper Inner Shell for DisplayPort®; Cable Plug, Nickel overall plating, without Latch holes

Documents:

[Drawing \(PDF\)](#) [RoHS Certificate of Compliance \(PDF\)](#)

General

Product Family	Accessories
Series	47271
Component Type	Shell
Overview	displayport
Product Name	DisplayPort*

Physical

Circuits (Loaded)	N/A
Circuits (maximum)	0
Gender	N/A
Lock to Mating Part	No
Material - Metal	Brass
Material - Plating Mating	Unplated
Material - Plating Termination	Unplated
Number of Rows	0
Packaging Type	Reel
Polarized to Mating Part	Yes
Temperature Range - Operating	-20°C to +85°C

Electrical

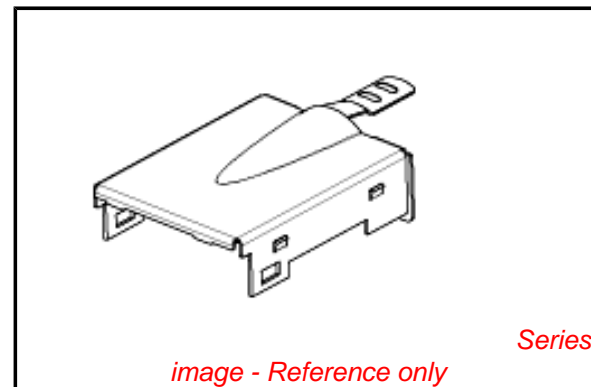
Current - Maximum per Contact	0.5A
-------------------------------	------

Material Info

Reference - Drawing Numbers

Sales Drawing	SD-47271-008
---------------	--------------

DisplayPort* is a Trademark of VESA



EU RoHS

**ELV and RoHS
Compliant**
**REACH SVHC
Contains SVHC: No**
**Halogen-Free
Status**

China RoHS



**Need more information on product
environmental compliance?**

Email productcompliance@molex.com
 For a multiple part number RoHS Certificate of Compliance, [click here](#)

Please visit the [Contact Us](#) section for any non-product compliance questions.

Search Parts in this Series
[47271Series](#)

10 9 8 7 6 5 4 3 2 1

F

F

E

E

D

D

C

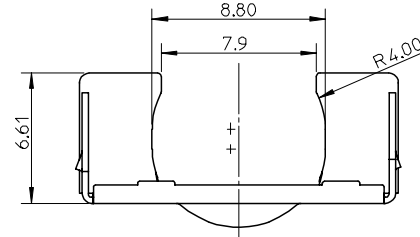
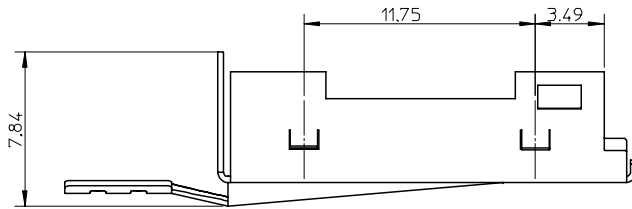
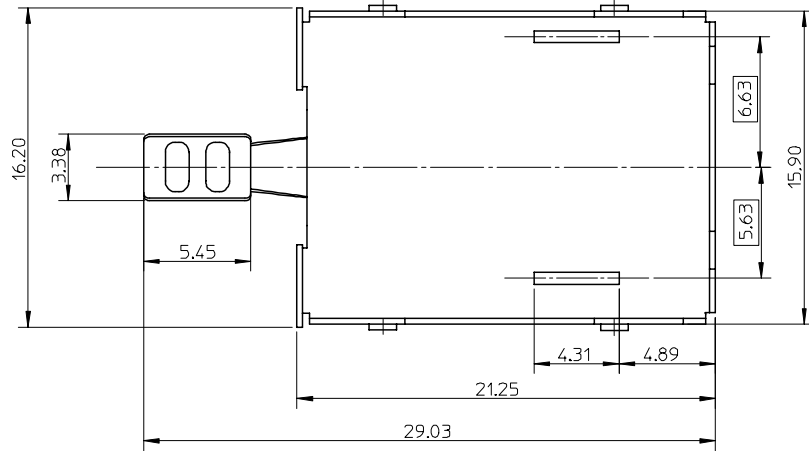
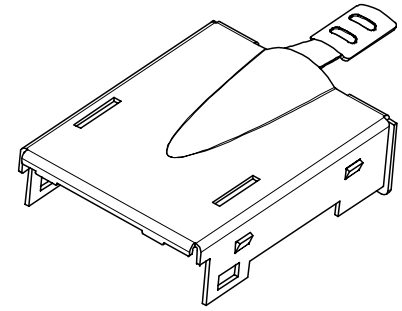
C

B

B

A

A



NOTES:

1. THIS PART IS WITH LATCHES TYPE
2. MATERIAL : 0.30MM THICKNESS COPPER ALLOY.
3. PLATING : NICKEL 2.0 MICROMETER MIN OVERALL.

NEW RELEASE EC NO: SH2007-0705 DRWN:HHE CHKD: APPR: JNCHEN	2007/04/27 2007/04/30	DESCRIPTION REV
	2007/05/10	
	JNCHEN	
	A	

QUALITY SYMBOLS	▽=0
	∇=0

GENERAL TOLERANCES (UNLESS SPECIFIED)	
	mm INCH
4 PLACES	± --- ± ---
3 PLACES	± --- ± ---
2 PLACES	± 0.15 ± ---
1 PLACE	± 0.15 ± ---
ANGULAR ± 2 °	
DRAFT WHERE APPLICABLE MUST REMAIN WITHIN DIMENSIONS	

DIMENSION STYLE		SCALE	DESIGN UNITS	THIRD ANGLE PROJECTION
MM ONLY		4:1	METRIC	
DRAWN BY	DATE	TITLE		
QWFANG	2006/09/05	INNER-SHELL-UPPER FOR DISPLAYPORT		
CHECKED BY	DATE			
IWANG	2006/09/05	MOLEX INCORPORATED		
APPROVED BY	DATE			
JNCHEN	2006/09/05	MATERIAL NO. 47271-1008		
DOCUMENT NO. SD-47271-008				
SHEET NO. 1 OF 2				

MOLEX INCORPORATED	
THIS DRAWING CONTAINS INFORMATION THAT IS PROPRIETARY TO MOLEX INCORPORATED AND SHOULD NOT BE USED WITHOUT WRITTEN PERMISSION	

9 8 7 6 5 4 3 2 1

10 9 8 7 6 5 4 3 2 1

F

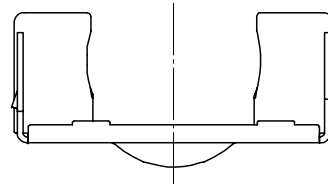
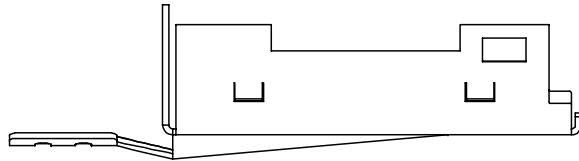
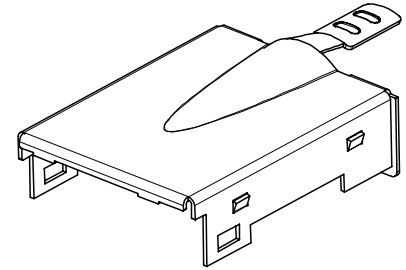
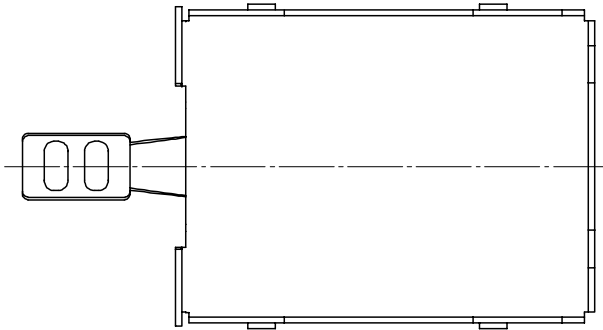
E

D

C

B

A



NOTES:
THIS PART IS WITHOUT LATCHES TYPE.
UNSPECIFIED DIMENSIONS ARE SAME AS SHEET 1.

SEE SHEET 1 EC NO: SH2007-0705 DRWN: HHE CHKD: APPR: JNCHEN 2007/04/27 2007/05/10	DESCRIPTION JNCHEN	QUALITY SYMBOLS	GENERAL TOLERANCES (UNLESS SPECIFIED)	DIMENSION STYLE	SCALE	DESIGN UNITS	THIRD ANGLE PROJECTION	
		$\nabla = 0$ $\sphericalangle = 0$	mm INCH 4 PLACES ± --- ± --- 3 PLACES ± --- ± --- 2 PLACES ± 0.15 ± --- 1 PLACE ± 0.15 ± --- ANGULAR ± 2 °	MM ONLY	4:1	METRIC	DRAWN BY: QWFANG DATE: 2006/09/05 CHECKED BY: DATE: IWANG 2006/09/05 APPROVED BY: DATE: JNCHEN 2006/09/05	TITLE: INNER-SHELL-UPPER FOR DISPLAYPORT MOLEX INCORPORATED
		DRAFT WHERE APPLICABLE MUST REMAIN WITHIN DIMENSIONS	MATERIAL NO. 47271-3008	DOCUMENT NO. SD-47271-008	SHEET NO. 2 OF 2			
		SIZE A3	THIS DRAWING CONTAINS INFORMATION THAT IS PROPRIETARY TO MOLEX INCORPORATED AND SHOULD NOT BE USED WITHOUT WRITTEN PERMISSION					

9 8 7 6 5 4 3 2 1