

T-1 (3 mm) Auto Insertable LED Lamps

Technical Data

HLMP-N305
HLMP-N405
HLMP-NG0x
HLMP-NJ01
HLMP-NL06

Features

- **T-1 (3 mm) Auto Insertable Package**
- **AllInGaP SunPower Intensity**
- **High Light Output**
- **Tinted Diffused and Tinted Non-diffused Lens Options**
- **Wide Viewing Angle**
- **Variety of Colors**
- **Available with Straight or Formed Lead Tape and Reel Options**

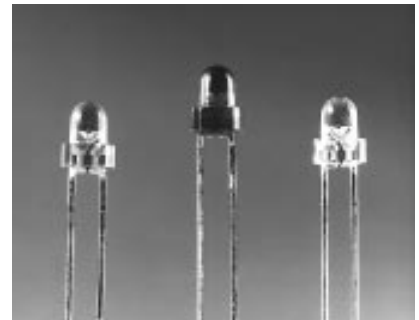
Description

This family of 3 mm LED Lamps is capable of withstanding automatic insertion and wave soldering processes.

Designed with a thick epoxy flange and soft leadframe material, it is ideal for clinch and cut operations.

Applications

- **General Purpose**
- **High Volume Manufacturing**



Device Selection Guides

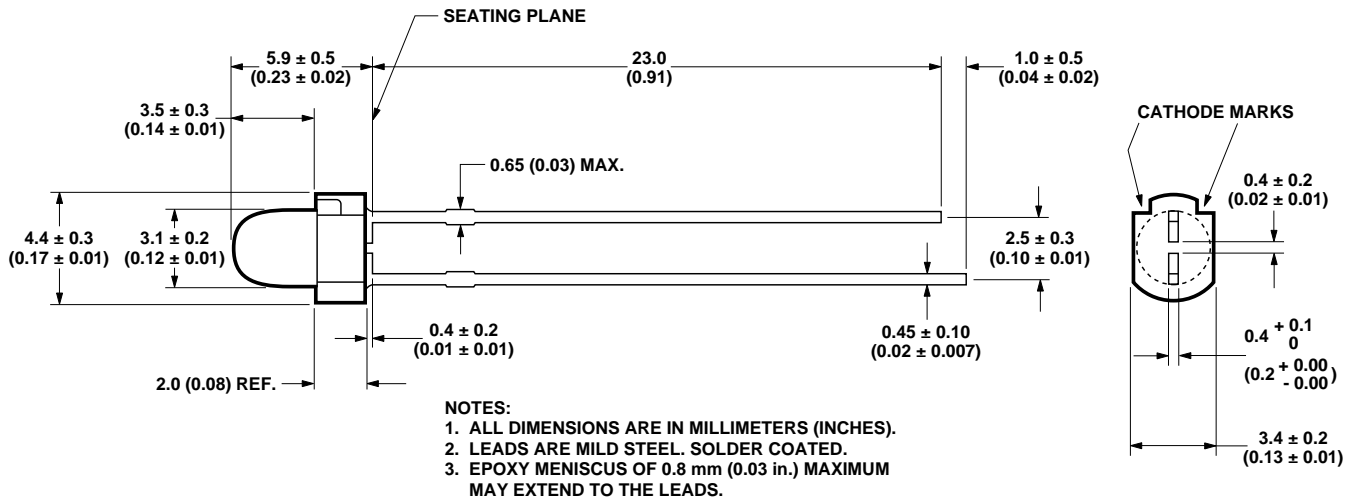
High Brightness Lamps		Package		Luminous Intensity, Min. I _v @ 20 mA	Viewing Angle, 2θ ^{1/2}
Color	Part Number	Tinted	Diffused		
Red	HLMP-NG05	μ		90.2	45
	HLMP-NG07	μ		90.2	60
Orange	HLMP-NJ01	μ		138.0	45
Amber	HLMP-NL06	μ		96.2	60

High Efficiency Lamps		Package		Luminous Intensity, Min. I _v @ 10 mA	Viewing Angle, 2θ ^{1/2}
Color	Part Number	Tinted	Diffused		
GaP Yellow	HLMP-N305	X		14.7	45
GaP Orange	HLMP-N405	X		13.8	45

Note:

1. 2θ^{1/2} is the off axis angle where the luminous intensity is 1/2 the on axis intensity.

Package Dimensions



Part Numbering System

HLMP - N x xx # xxx

Mechanical Option

002: Tape & Reel, Straight Leads

Viewing Angle Options

01: 45 Degree
 05: 45 Degree
 06, 07: 60 Degree

Color Options

3: GaP Yellow
 4: GaP Orange
 G: AlInGaP Red
 J: AlInGaP Orange
 L: AlInGaP Amber

Absolute Maximum Ratings at $T_A = 25\text{ }^\circ\text{C}$

Parameter	Orange	Yellow	AlInGaP Amber, Orange & Red	Units
DC Forward Current ^[1]	30	20	30 ^[2,3]	mA
Reverse Voltage ($I_r = 100\text{ }\mu\text{A}$)	5			V
Junction Temperature, T_{jmax}	110			$^\circ\text{C}$
Storage Temperature Range	-40 to +85			$^\circ\text{C}$
Operating Temperature Range	-20 to +85		-40 to +85	$^\circ\text{C}$
Lead Soldering Temperature [1.6 mm (0.063 in.) from seating plane]	A) DIP/DRAG Soldering: 260 $^\circ\text{C}$ for 5 seconds B) Wave Solder Temperature: 245 $^\circ\text{C}$ for 3 seconds			

Notes:

1. See Figure 4 for maximum current derating vs. ambient temperature.
2. Suggested minimum DC current: 10 mA
3. Maximum Peak Pulsed Forward Current: 50 mA, 30 mA average.

Electrical Characteristics at $T_A = 25\text{ }^\circ\text{C}$

Part Number	Forward Voltage Vf (Volts)			Capacitance C (pF) Vf = 0, f = 1 MHz Typ.	Thermal Resistance $R\theta_{J-PIN}$ ($^\circ\text{C/W}$)	Speed of Response τ_s (ns) Time Constant e^{-t}/τ_s Typ.
	Typ.	Max.	If (mA)			
HLMP-N30x	2.00	2.6	10	15	290	90
HLMP-N40x	1.90	2.6	10	4	290	280
HLMP-NLO6 ^[1]	2.02	2.4	20	40	240	20
HLMP-NG0x ^[1]	1.90	2.4	20	40	240	20
HLMP-NJ01	1.98	2.4	20	40	240	20

Note:

1. Please contact your Agilent Sales Representative about operating currents below 10 mA.

Optical Characteristics at $T_A = 25\text{ }^\circ\text{C}$

Part Number	Luminous Intensity		Typ. Peak Wavelength (nm)	Typ. Dominant Wavelength (nm)	Typ. Spectral Half Width	Luminous Efficacy Width (lm/W)
	Min.	If (mA)				
HLMP-NG05	90.2	20	635	626	17	150
HLMP-NG07	90.2	20	635	626	17	150
HLMP-NJ01	138.0	20	609	605	17	370
HLMP-NL06	96.2	20	592	590	17	480
HLMP-N305	14.7	10	583	585	36	500
HLMP-N405	13.8	10	600	602	37	380

Notes:

1. The luminous intensity, I_v , is measured at the mechanical axis of the lamp package. The actual peak of the spatial radiation pattern may not be aligned with this axis.
2. The dominant wavelength, λ_d , is derived from the CIE Chromaticity Diagram and represents the color of the device.
3. The radiant intensity, I_e , in watts per steradian, may be found from the equation $I_e = I_v/\eta_v$, where I_v is the luminous intensity in candelas and η_v is the luminous efficacy in lumens/watt.

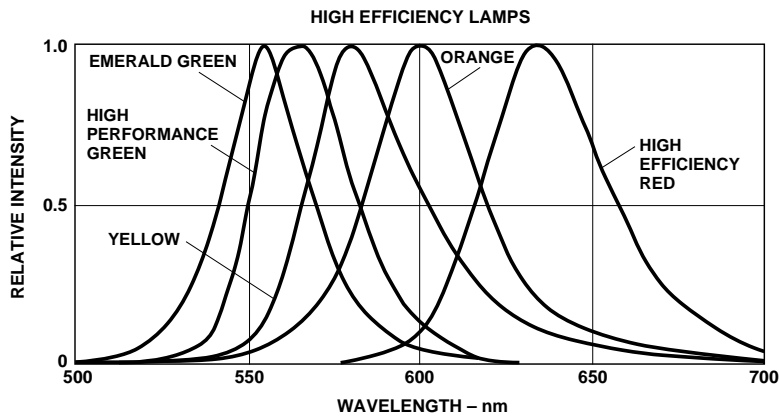
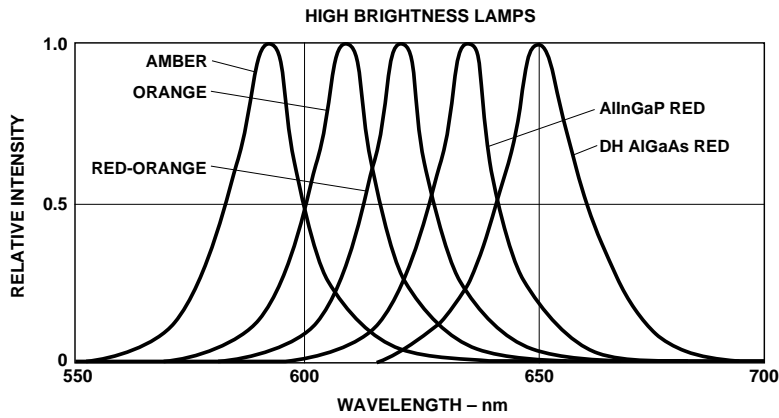


Figure 1. Relative Intensity vs. Peak Wavelength.

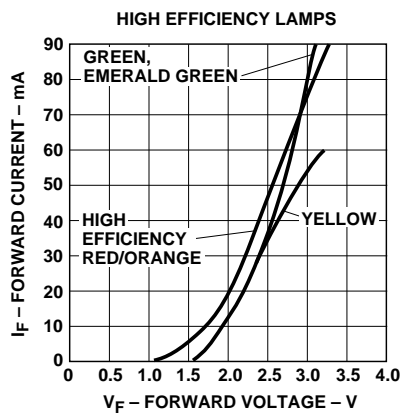
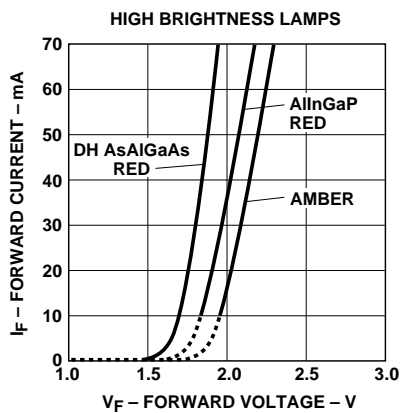


Figure 2. Forward Current vs. Forward Voltage.

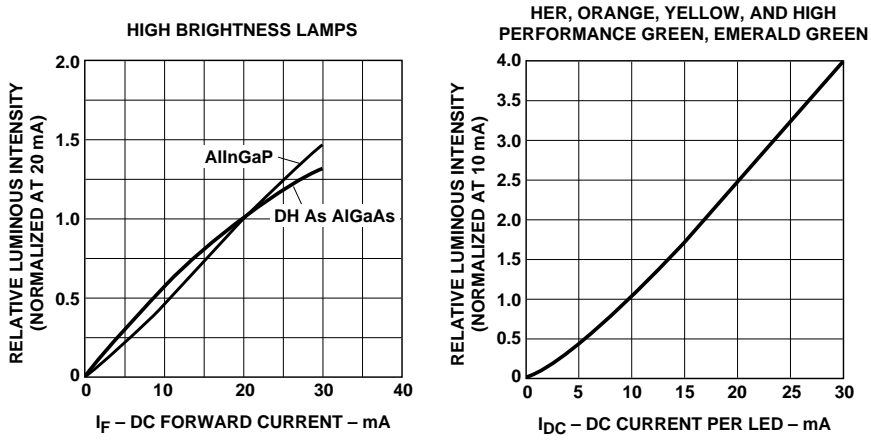


Figure 3. Relative Luminous Intensity vs. Forward Current.

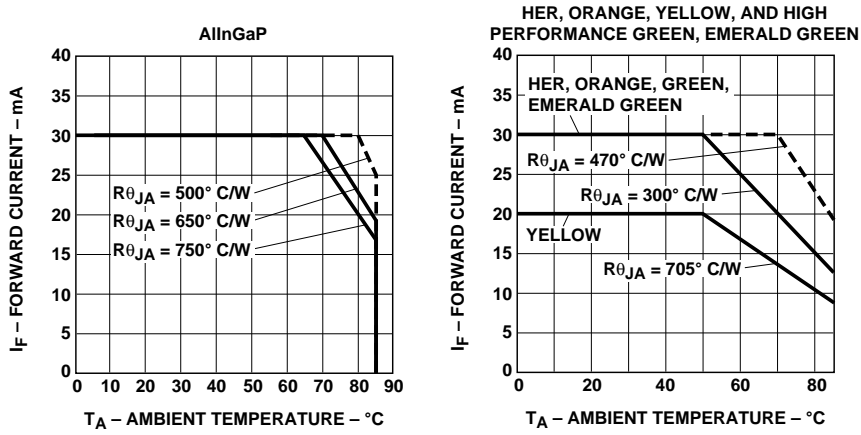


Figure 4. Maximum Forward DC Current vs. Ambient Temperature.

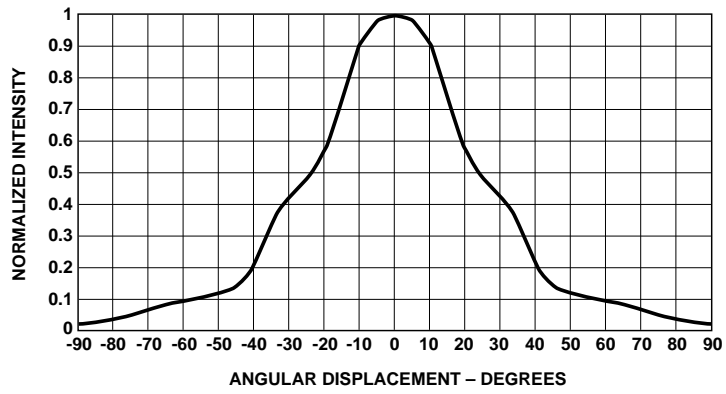


Figure 5. Representative Spatial Radiation Pattern for 45° Viewing Angle.

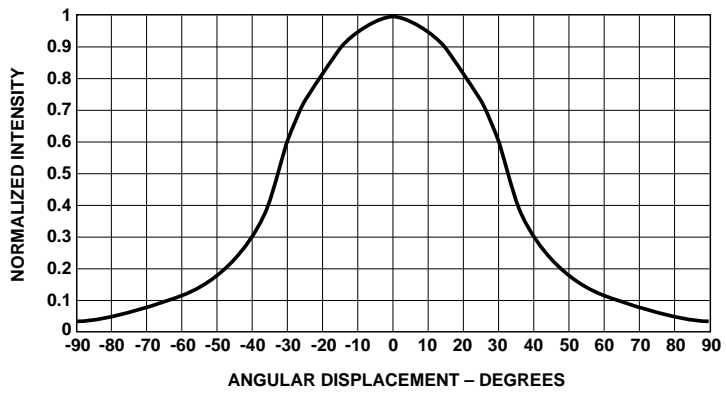


Figure 6. Representative Spatial Radiation Pattern for 60° Viewing Angle.

Intensity Bin Limits

Color	Bin	Intensity Range (mcd)	
		Min.	Max.
Red/Orange	H	13.8	27.6
	I	22.0	44.0
	J	35.2	70.4
	K	56.4	112.8
	L	90.2	180.4
	M	138.0	276.0
	N	200.0	400.0
	O	290.0	580.0
	P	500.0	1000.0
	Q	700.0	1400.0
	R	1000.0	2000.0
	S	1400.0	2800.0
	T	2000.0	4000.0
	U	2900.0	5800.0
	V	4200.0	8400.0
	W	6000.0	12000.0
	X	8700.0	17400.0
Y	12600.0	25200.0	
Z	18200.0	36400.0	
Yellow	G	14.7	29.4
	H	23.5	47.0
	I	37.6	75.2
	J	60.1	120.2
	K	96.2	192.4
	L	147.0	294.0
	M	212.0	424.0
	N	300.0	600.0
	O	450.0	900.0
	P	700.0	1400.0
	Q	1000.0	2000.0
	R	1600.0	3200.0
	S	2600.0	5200.0
	T	4000.0	8000.0
U	6500.0	13000.0	
V	10000.0	20000.0	
W	16000.0	30000.0	

Maximum tolerance for each bin limit is $\pm 18\%$.

Color Categories

Color	Category #	Lambda (nm)	
		Min.	Max.
Yellow	1	582.0	584.5
	3	584.5	587.0
	2	587.0	589.5
	4	589.5	592.0
	5	592.0	593.0
Orange	1	597.0	599.5
	2	599.5	602.0
	3	602.0	604.5
	4	604.5	607.5
	5	607.5	610.5
	6	610.5	613.5
	7	613.5	616.5
	8	616.5	619.5

Tolerance for each bin limit is ± 0.5 nm.

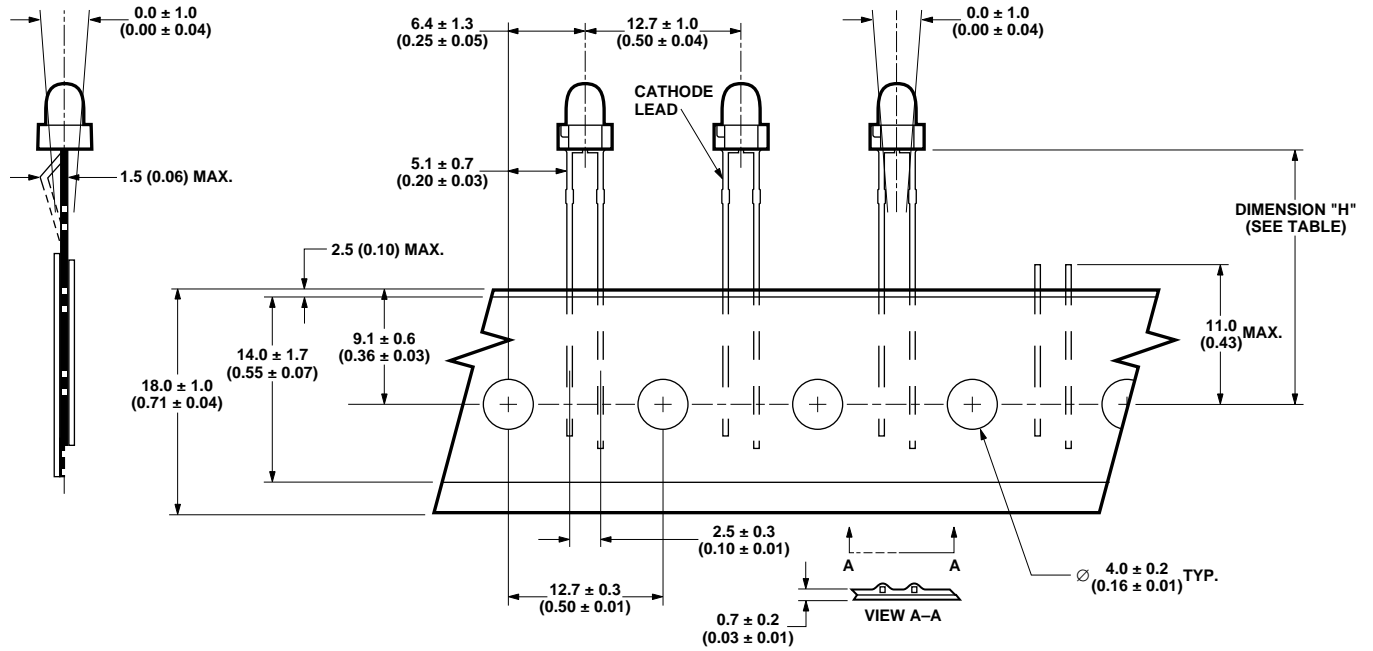
Taping Options

Option	Straight Lead		
	#002	#2CA	#2CD
Dimension "B"	-	-	-
Dimension "H"	20.5 \pm 1.0 (0.81 \pm 0.04)	18.0 \pm 1.0 (0.71 \pm 0.04)	20.5 \pm 1.0 (0.81 \pm 0.04)

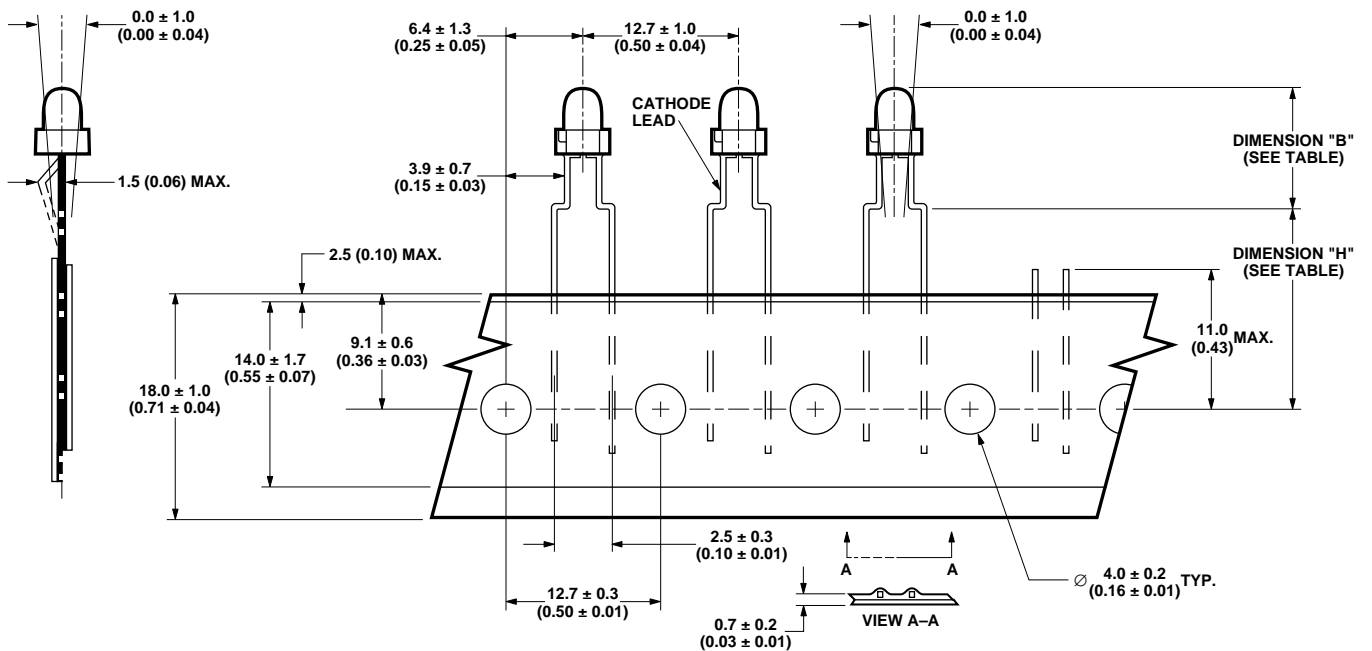
Option	Formed Lead						
	#2UK	#2UL	#2UM	#2UN	#2UP	#2UQ	#2UR
Dimension "B"	12.0 \pm 1.0 (0.47 \pm 0.04)	9.0 \pm 1.0 (0.35 \pm 0.04)	10.0 \pm 1.0 (0.39 \pm 0.04)	11.0 \pm 1.0 (0.43 \pm 0.04)	13.0 \pm 1.0 (0.51 \pm 0.04)	14.0 \pm 1.0 (0.55 \pm 0.04)	15.0 \pm 1.0 (0.59 \pm 0.04)
Dimension "H"	16.0 \pm 1.0 (0.63 \pm 0.04)						

Units: mm (inches)

Tape Outline Drawing



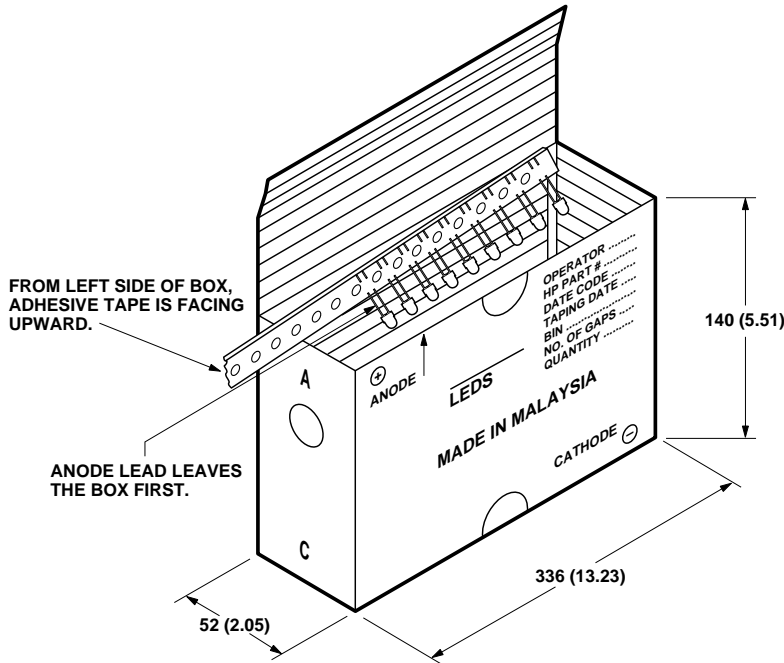
STRAIGHT LEAD



FORMED LEAD

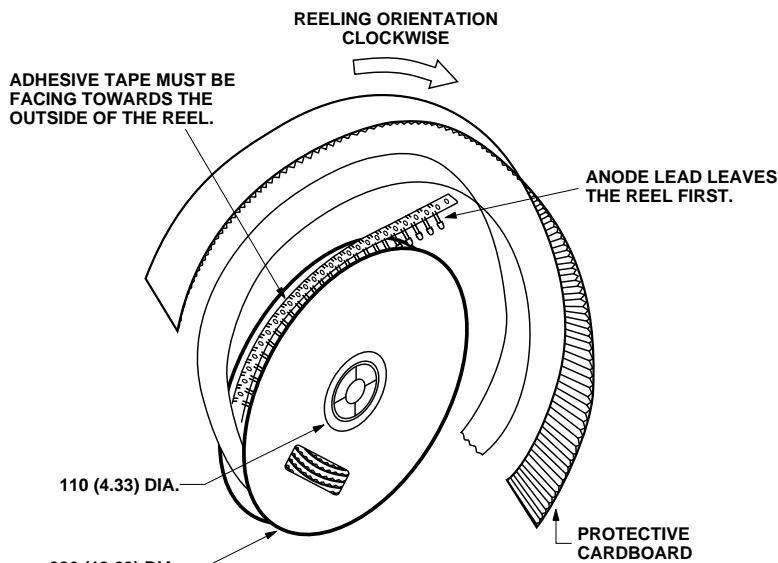
Package Options

Lead Option	Ammo Pack (1000 pcs.)	Tape & Reel (2000 pcs.)
Straight Lead	#2C —	#002
Formed Lead	#2U —	—



DIMENSIONS IN MILLIMETERS (INCHES).

AMMO PACK (for All options except #002)



DIMENSIONS IN MILLIMETERS (INCHES).

TAPE & REEL (for option #002 only)

Recommended Assembly Condition

- A single-sided phenolic printed circuit board (PCB) is preferred. Double-sided PCB and other materials may cause greater lead stress. Recommended through-hole diameter is 0.9 to 2.0 mm. Leadlength below the PCB should be 1.5 to 2.0 mm, and the clinching angle (angle between the lead and PCB) should be 30 ± 10 degrees.

- If SMT devices and an adhesive are used on the same pcb as these lamps, the adhesive should be cured before the lamps are auto-inserted. If curing must be done after lamp insertion, the cure temperature and time should not exceed 140°C, 100 seconds. This is the temperature of the surface normal to the IR source.

Solder Condition:

Preheat: Temperature ramp rate of 2 to 4°C per second. Do not exceed 150°C delta temperature between preheat and solder temperatures. The maximum time at preheat should not exceed 10 seconds.

Solder: 245°C \pm 5°C, 3 seconds (1.6 mm below seating plane).

