

PLEASE CHECK WWW.MOLEX.COM FOR LATEST PART INFORMATION

Part Number: [0353761810](#)
Status: **Active**
Description: 0.76/2.29mm (.030/090") Tab Wire-to-Wire Duomate Hybrid Male Housing, 18 Circuits

Documents:

[Drawing \(PDF\)](#) [RoHS Certificate of Compliance \(PDF\)](#)
[Product Specification PS-35376-001 \(PDF\)](#)

General

Product Family	Crimp Housings
Series	35376
Product Name	N/A

Physical

Circuits (maximum)	18
Color - Resin	Natural
Gender	Male
Glow-Wire Compliant	No
Material - Resin	Polyester
Number of Rows	2
Packaging Type	Bag
Panel Mount	No
Pitch - Mating Interface (in)	0.078 In, 0.141 In
Pitch - Mating Interface (mm)	2.00 mm, 3.60 mm
Polarized to Mating Part	No
Stackable	No
Temperature Range - Operating	-40°C to +85°C

Material Info

Reference - Drawing Numbers

Product Specification	PS-35376-001
Sales Drawing	SD-35376-002

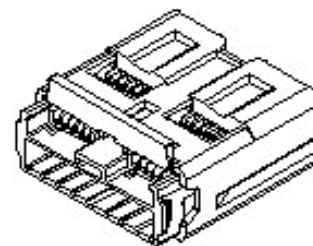


image - Reference only

Series

EU RoHS

**ELV and RoHS
Compliant**
REACH SVHC
 Not Reviewed
**Halogen-Free
Status**

China RoHS



**Need more information on product
environmental compliance?**

Email productcompliance@molex.com
 For a multiple part number RoHS Certificate of
 Compliance, [click here](#)

Please visit the [Contact Us](#) section for any
 non-product compliance questions.

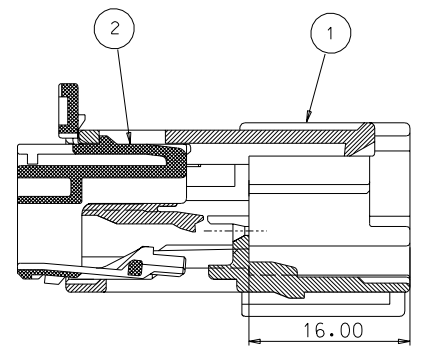
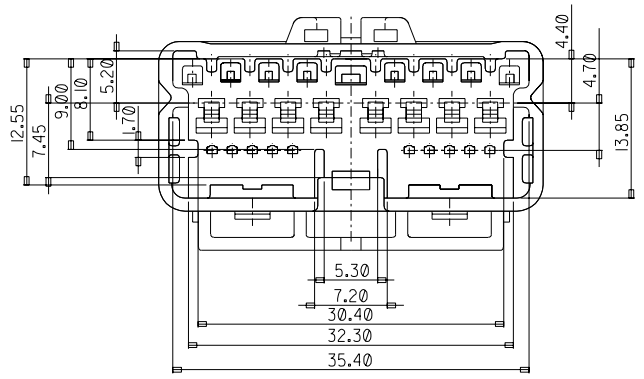
Search Parts in this Series
[35376Series](#)

Mates With
[35374](#)

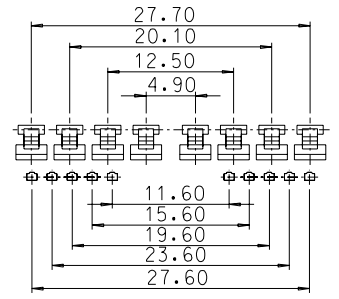
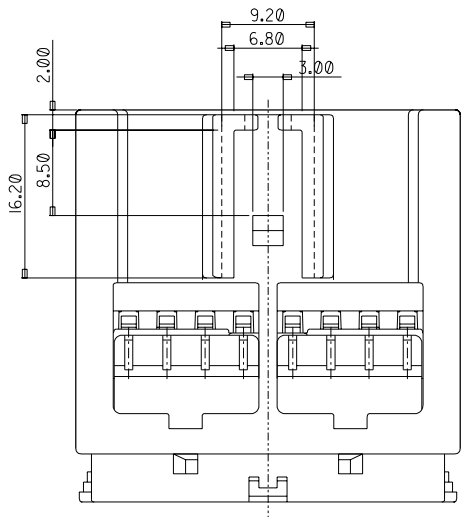
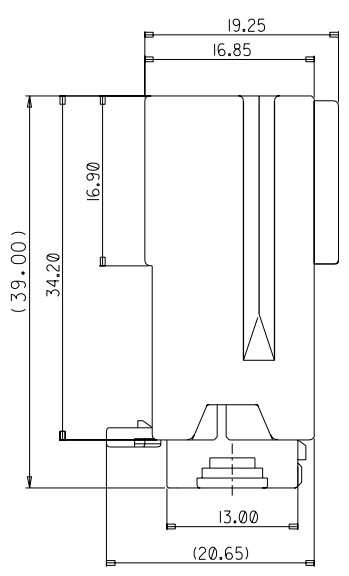
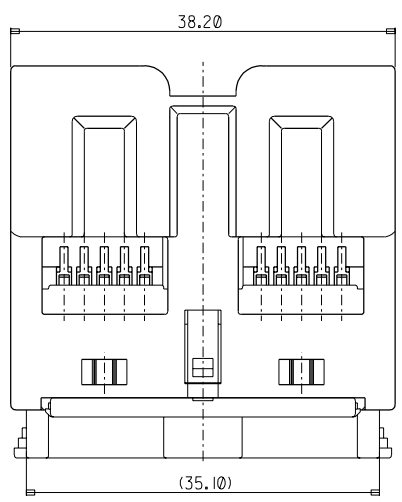
Use With
[35420](#) , [35426](#)

DO NOT SCALE DRAWING DIMENSION IN METRIC

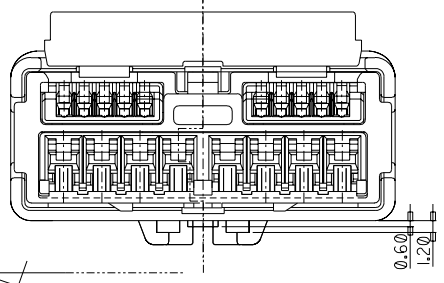
PROJECT NO. SIMILAR ITEM
 PROJECT NO. SIMILAR ITEM
 EDP NO. SIMILAR ITEM
 DWG. NO. SD35376-002
 ENG. NO. SD35376-002



SECTION A-A



DETAIL PITCH DIM'S



NO	PART NO	PART NAME	MATERIAL	Q'TY
1	35376-1890	DUOMATE HYBRID TYPE 18P MALE CONN. ASS'Y	POLYESTER (PBT)	1
2	35377-1880	DUOMATE HYBRID TYPE 18P MALE TPA	POLYESTER (PBT)	1

NOTES:
 1. MATING TERMINAL PART NO:
 DUOMATE(030):35426-9702
 UNICONN(90)TYPE: 3535420-9702,35420-9802,35420-9902
 2. MATING CONNECTOR PART NO: 35374-1810
 3. TERMINAL RETENTION FORCE(COMBINED): 10kgf MIN.

NEW RELEASE EC NO. A	DRWN: Y.SIK.KIM 98/06/19 CHK: APPR:	DESCRIPTION MAJOR CRITICAL	QUALITY SYMBOLS	GENERAL TOLERANCES: (UNLESS SPECIFIED)		SCALE	DESIGN UNIT/STANDARD	THIRD ANGLE PROJECTION	DIMENSIONS:		SHT	REV	
				mm	inch	2:1	mm / INCH	FRONT MOLEX	INCH MOLEX-KOREA	MM MOLEX	ONLY	REVISE ON CAD ONLY	
4 PLACES ±0.10				DRAWN BY & DATE Y.SIK.KIM 98/06/19				TITLE DUOMATE HYBRID TYPE					
3 PLACES ±0.10				CHECKED BY & DATE B.K.CHOI 98/06/19				GENERAL TOLERANCE DIMENSION : 18P MALE CONNECTOR ASS'Y					
2 PLACES ±0.20				APPROVED BY & DATE C.W.LEE 98/11/17				DIMENSION CLASSIFICATION SCALE					
1 PLACE ±0.10				DRAWING INFORMATION				MOLEX INCORPORATED TITULKOREA					
ANGULAR ±				CAD FILENAME s3537618.dwg		MATERIAL NO. 35376-1890		DRAWING NO. SD35376-002		SHEET NO. 1/1			
DRAFT WHERE APPLICABLE MUST REMAIN WITHIN DIMENSIONS				THIS DRAWING CONTAINS INFORMATION THAT IS PROPRIETARY TO MOLEX INCORPORATED AND SHOULD NOT BE USED WITHOUT WRITTEN PERMISSION.								REVISION	