

**PLEASE CHECK WWW.MOLEX.COM FOR LATEST PART INFORMATION**

**Part Number:** **0444781211**  
**Status:** **Active**  
**Overview:** [minifit\\_plus\\_hcs](#)  
**Description:** Mini-Fit HCS™ Crimp Terminal, 18-20 AWG, Reel, Copper (Cu) Alloy, Gold (Au) Selective

**Documents:**

[Drawing \(PDF\)](#) [RoHS Certificate of Compliance \(PDF\)](#)

**General**

Product Family Crimp Terminals  
 Series [44478](#)  
 Comments High Current  
 Crimp Quality Equipment Yes  
 Overview [minifit\\_plus\\_hcs](#)  
 Product Name Mini-Fit HCS™

**Physical**

Gender Male  
 Material - Metal High Performance Alloy (HPA)  
 Material - Plating Mating Gold  
 Material - Plating Termination Tin  
 Packaging Type Reel  
 Plating min: Mating (µin) 30.4  
 Plating min: Mating (µm) 0.76  
 Plating min: Termination (µin) 101.6  
 Plating min: Termination (µm) 2.54  
 Termination Interface: Style Crimp or Compression  
 Wire Insulation Diameter 1.30-3.10mm (.051-.122")  
 Wire Size AWG 18, 20  
 Wire Size mm² N/A

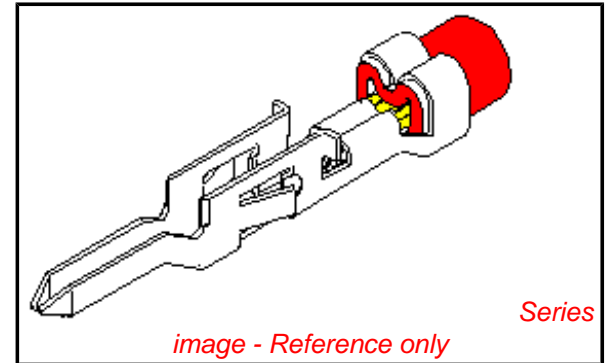
**Electrical**

Current - Maximum per Contact 11A

**Material Info**

**Reference - Drawing Numbers**

Packaging Specification PK-44478-001  
 Product Specification RPS-44476-001  
 Sales Drawing SD-44478-\*\*\*\*



**EU RoHS**

**ELV and RoHS Compliant**

**REACH SVHC**

**Contains SVHC: No**

**Halogen-Free**

**Status**

**Halogen-Free**

**China RoHS**



**Need more information on product environmental compliance?**

Email [productcompliance@molex.com](mailto:productcompliance@molex.com)  
 For a multiple part number RoHS Certificate of Compliance, [click here](#)

Please visit the [Contact Us](#) section for any non-product compliance questions.

**Search Parts in this Series**

[44478Series](#)

**Use With**

[5559](#) , [30068](#) , [42475](#)

**Application Tooling | FAQ**

*Tooling specifications and manuals are found by selecting the products below. Crimp Height Specifications are then contained in the Application Tooling Specification document.*

**Global**

Description	Product #
Hand Crimp Tool for Mini-Fit™ Jr. Male and Female Crimp Terminals, 16-24 AWG	<a href="#">0638190900</a>
Extraction Tool	<a href="#">0011030044</a>
T2 Terminator	<a href="#">0639102900</a>
Tooling Die FineAdjust™	<a href="#">0639015600</a>
Applicator for Mini-Fit Jr.™, Mini-Fit HCS™	

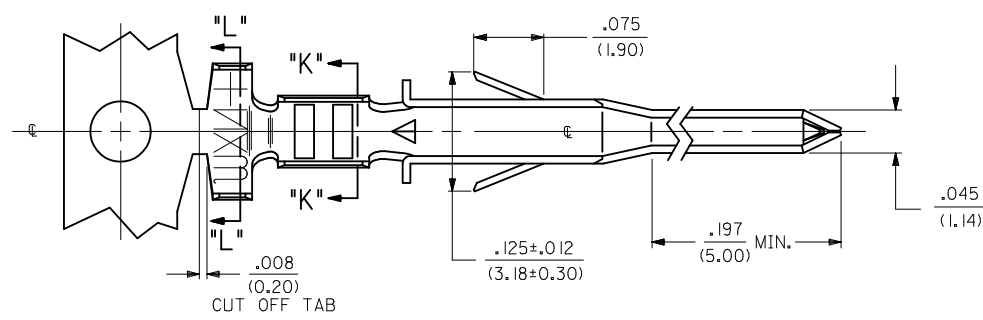
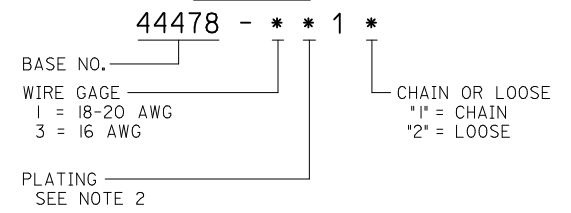
Crimp Terminals, 18-24 AWG and smaller insulation	
T2 Terminator Die	<u>0639102600</u>
FineAdjust™ Applicator	<u>0639002600</u>
FineAdjust™ Applicator, Small Insulation	<u>0639002900</u>

This document was generated on 05/27/2010

**PLEASE CHECK [WWW.MOLEX.COM](http://WWW.MOLEX.COM) FOR LATEST PART INFORMATION**

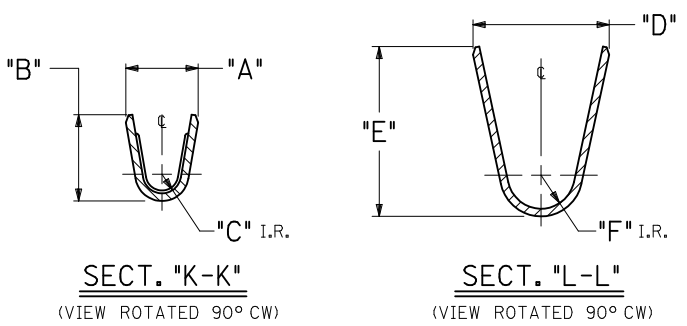
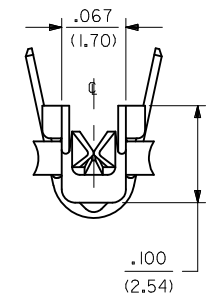
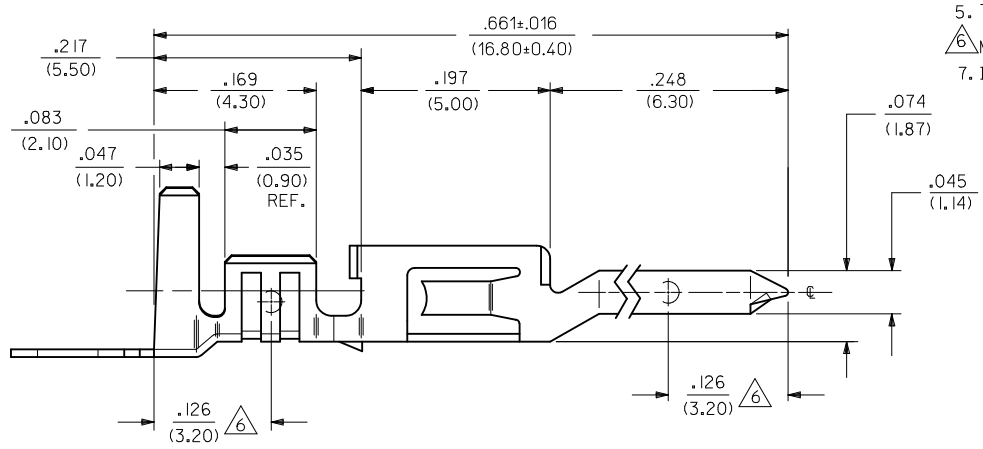
ITEM NO.	FORM	WIRE GAGE	RANGE OF INSULATION DIA.	DIM. "A"	DIM. "B"	DIM. "C"	DIM. "D"	DIM. "E"	DIM. "F"
44478-1111	CHAIN	18-20 GA.	.051-.122 (1.30-3.10)	.075±.012 (1.90±.30)	.091±.016 (2.30±.40)	.020 (.50)	.142±.012 (3.60±.30)	.177±.016 (4.50±.40)	.035 (.90)
44478-1112	LOOSE								
44478-3111	CHAIN	16 GA.	.122 (3.10) MAX.	.091±.012 (2.30±.30)	.106±.016 (2.70±.40)	.024 (.60)	.142±.012 (3.60±.30)	.177±.016 (4.50±.40)	.035 (.90)
44478-3112	LOOSE								
44478-1211	CHAIN	18-20 GA.	.051-.122 (1.30-3.10)	.075±.012 (1.90±.30)	.091±.016 (2.30±.40)	.020 (.50)	.142±.012 (3.60±.30)	.177±.016 (4.50±.40)	.035 (.90)
44478-1212	LOOSE								
44478-3211	CHAIN	16 GA.	.122 (3.10) MAX.	.091±.012 (2.30±.30)	.106±.016 (2.70±.40)	.024 (.60)	.142±.012 (3.60±.30)	.177±.016 (4.50±.40)	.035 (.90)
44478-3212	LOOSE								

**LEGEND:**



**NOTES:**

- MATERIAL:**  
COPPER ALLOY, .008/(0.20) THICK.
- FINISH:**  
\*1= PLATING: POSTPLATE .000100/(.00254) MIN. BRIGHT TIN OVER .000030/(.00076) MIN. NICKEL OVERALL.  
\*2= PLATING: POSTPLATE .000030/(.000076) MIN. SELECT GOLD AND .000100/(0.00254) MIN. MATTE TIN OVER .000050/(.00127) MIN. NICKEL OVERALL.  
\*THE PRIMARY SHIPPING CARTON WILL BE LABELED \*COMPLIANT TO RoHS DIRECTIVE 2002/95/EC AND ELV ANNEX II OF DIRECTIVE 2000/53/EC.\* CARTONS WITHOUT THIS LABEL MAY CONTAIN PRODUCT WITH TIN-LEAD PLATING.
- PRODUCT SPECIFICATION** PS-44476-001.
- PACKAGING SPECIFICATION:** PK-44478-001 FOR CHAIN TERMINALS  
PK-5556-003 FOR LOOSE TERMINALS
- TERMINAL IS FOR USE WITH MOLEX PLUG HOUSINGS** 5559, 30068 AND 42475.
- MEASURING POINT FOR PLATING THICKNESS.
- ITEM NUMBERS PRECEDED BY AN \*X\* IN THE CHART ARE NOT AVAILABLE.



<b>MODIFIED NOTES</b> EC NO: UCP2010-0471 DRWN: JAGUILAR 2009/12/23 CHKD: J BELL 2009/12/23 APPR: FSMITH 2009/12/28 REV: G1	<b>QUALITY SYMBOLS</b> ▽=0 ▽=0	<b>GENERAL TOLERANCES (UNLESS SPECIFIED)</b> <table border="1"> <thead> <tr> <th></th> <th>mm</th> <th>INCH</th> </tr> </thead> <tbody> <tr> <td>4 PLACES ±</td> <td>---</td> <td>---</td> </tr> <tr> <td>3 PLACES ±</td> <td>---</td> <td>±.010</td> </tr> <tr> <td>2 PLACES ±</td> <td>0.25</td> <td>±.015</td> </tr> <tr> <td>1 PLACE ±</td> <td>0.38</td> <td>---</td> </tr> </tbody> </table>		mm	INCH	4 PLACES ±	---	---	3 PLACES ±	---	±.010	2 PLACES ±	0.25	±.015	1 PLACE ±	0.38	---	<b>DIMENSION STYLE</b> IN/MM	<b>SCALE</b> 10:1	<b>DESIGN UNITS</b> METRIC	<b>THIRD ANGLE PROJECTION</b>
		mm	INCH																		
	4 PLACES ±	---	---																		
	3 PLACES ±	---	±.010																		
2 PLACES ±	0.25	±.015																			
1 PLACE ±	0.38	---																			
<b>DRAFT WHERE APPLICABLE MUST REMAIN WITHIN DIMENSIONS</b>		<b>MATERIAL NO.</b> SEE CHART	<b>SCALE</b> 10:1	<b>TERMINAL, MALE, CRIMP MINI-FIT JR HCS SERIES</b>																	
		<b>MATERIAL NO.</b> SEE CHART	<b>DOCUMENT NO.</b> SD-44478-****	<b>MOLEX INCORPORATED</b>																	
		<b>SIZE</b> C	<b>THIS DRAWING CONTAINS INFORMATION THAT IS PROPRIETARY TO MOLEX INCORPORATED AND SHOULD NOT BE USED WITHOUT WRITTEN PERMISSION</b>																		