

PLEASE CHECK WWW.MOLEX.COM FOR LATEST PART INFORMATION

Part Number: [0719791808](#)
Status: **Active**
Overview: C-Grid® / SL™ Products
Description: 2.54mm (.100") Pitch C-Grid® Receptacle, Surface Mount, Dual Row, Right Angle, 16 Circuits

Documents:

[Drawing \(PDF\)](#) [RoHS Certificate of Compliance \(PDF\)](#)
[Product Specification PS-71973-9999 \(PDF\)](#)

General

| | |
|----------------|------------------------|
| Product Family | PCB Receptacles |
| Series | 71979 |
| Application | Board-to-Board |
| Overview | C-Grid® / SL™ Products |
| Product Name | C-Grid® |

Physical

| | |
|--------------------------------|--------------------------------|
| Circuits (Loaded) | 16 |
| Glow-Wire Compliant | No |
| Material - Metal | Phosphor Bronze |
| Material - Plating Mating | Gold |
| Material - Plating Termination | Tin |
| Material - Resin | High Temperature Thermoplastic |
| Number of Rows | 2 |
| Orientation | Right Angle |
| PCB Locator | Yes |
| PCB Retention | Yes |
| Packaging Type | Tube |
| Pitch - Mating Interface (in) | 0.100 In |
| Pitch - Mating Interface (mm) | 2.54 mm |
| Pitch - Term. Interface (in) | 0.100 In |
| Pitch - Term. Interface (mm) | 2.54 mm |
| Plating min: Mating (µin) | 15 |
| Plating min: Mating (µm) | 0.38 |
| Plating min: Termination (µin) | 75 |
| Plating min: Termination (µm) | 1.90 |
| Polarized to PCB | No |
| Stackable | Yes |
| Temperature Range - Operating | -40°C to +105°C |
| Termination Interface: Style | Surface Mount |

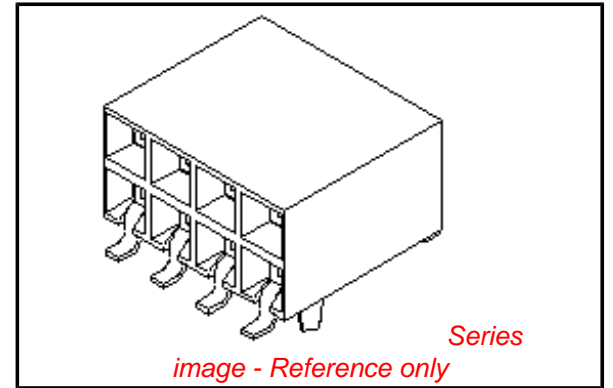
Electrical

| | |
|-------------------------------|------------|
| Current - Maximum per Contact | 1A, 2A, 3A |
| Voltage - Maximum | 500V AC |

Material Info

Reference - Drawing Numbers

| | |
|-----------------------|----------------|
| Product Specification | PS-71973-9999 |
| Sales Drawing | SDA-71979-**** |



EU RoHS

**ELV and RoHS
Compliant**
**REACH SVHC
Not Reviewed**
**Halogen-Free
Status**

China RoHS



**Need more information on product
environmental compliance?**

Email productcompliance@molex.com
 For a multiple part number RoHS Certificate of Compliance, [click here](#)

Please visit the [Contact Us](#) section for any non-product compliance questions.

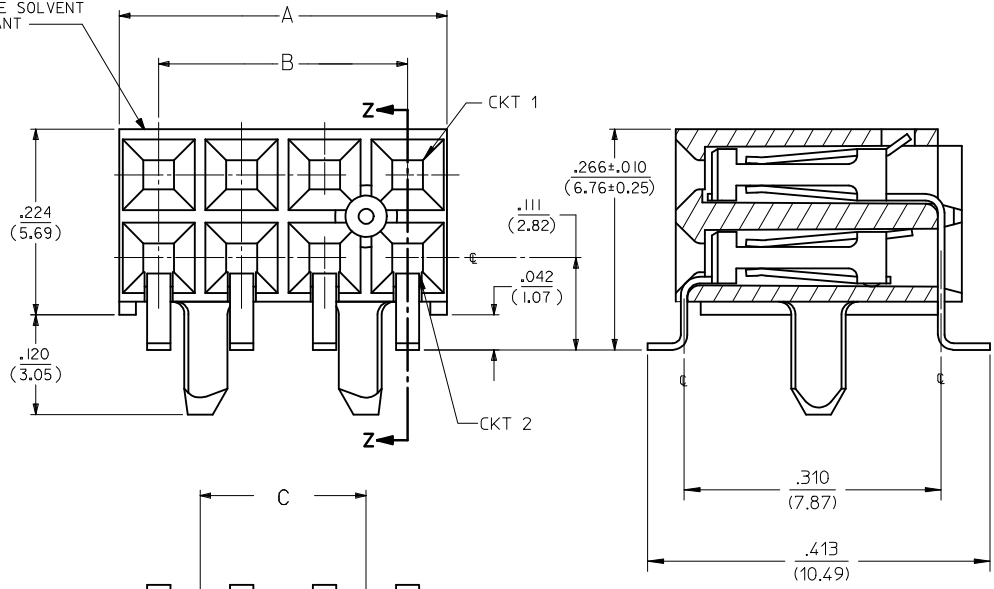
Search Parts in this Series

71979Series

Mates With

87911 Header

4 DIGIT DATE CODE ON THIS SURFACE. MUST BE SOLVENT RESISTANT



SECTION Z-Z

NOTES:

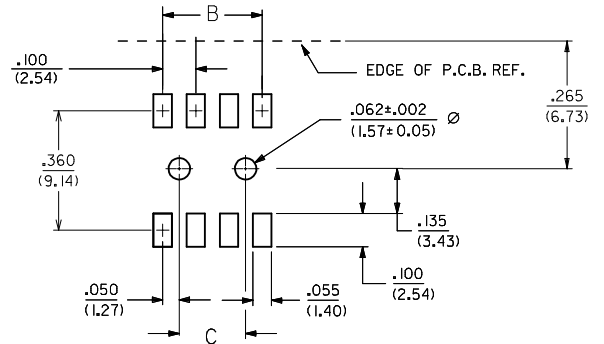
- 1.) MATERIALS:
HOUSING - LCP, 94V-0, BLACK
TERMINAL - PHOS. BRONZE ALLOY
- 2.) 8 CKT SHOWN FOR ILLUSTRATION PURPOSES. SEE CHART ON SHEET 7 FOR OTHER SIZES.
- 3.) SCRATCHES AND BURNISHING ALLOWED ON TERMINAL TAILS PROVIDING BASE METAL IS NOT EXPOSED, EXCEPT AT TRIMMED END.
- 4.) RECOMMENDED MATING PIN LENGTHS:
LOWER ROW - .200" MIN./ .285" MAX.
UPPER ROW - .200" MIN.
- 5.) REFER TO PS-71973-9999 FOR PERFORMANCE DATA.

PLATING:

- 15 GOLD 15 MICROINCH MINIMUM SELECTIVE GOLD IN THE CONTACT AREA; 75 MICROINCH MINIMUM SELECTIVE TIN IN THE PC TAIL AREA OVER 50 MICROINCH MINIMUM NICKEL OVERALL.
- 30 GOLD 30 MICROINCH MINIMUM SELECTIVE GOLD IN THE CONTACT AREA; 75 MICROINCH MINIMUM SELECTIVE TIN IN THE PC TAIL AREA OVER 50 MICROINCH MINIMUM NICKEL OVERALL.
- 50 GOLD 50 MICROINCH MINIMUM SELECTIVE GOLD IN THE CONTACT AREA; 75 MICROINCH MINIMUM SELECTIVE TIN IN THE PC TAIL AREA OVER 50 MICROINCH MINIMUM NICKEL OVERALL.

*THE PRIMARY SHIPPING CARTON WILL BE LABELED "COMPLIANT TO RoHS DIRECTIVE 2002/95/EC AND ELV ANNEX II OF DIRECTIVE 2000/53/EC". CARTONS WITHOUT THIS LABEL MAY CONTAIN PRODUCT WITH LEAD.

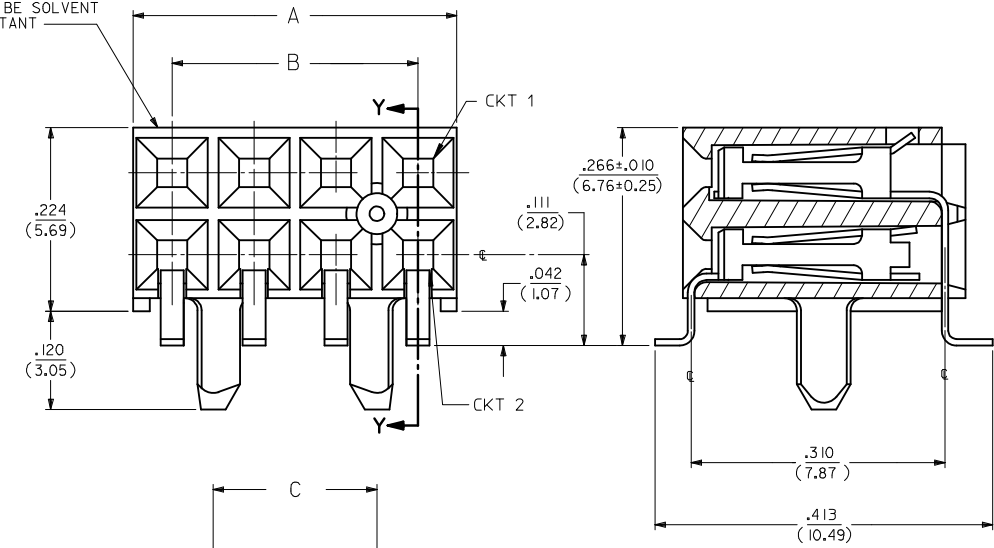
OPTION A ASSEMBLY
(ASSEMBLY WITH PEG AND WITHOUT LOWER ROW PINSTOP)



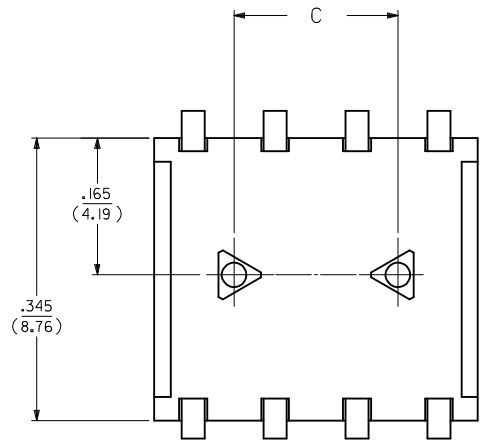
RECOMMENDED P.C.B. LAYOUT

| | | | | | | | | |
|---|-------------------|--|--|---|--------------|---|------------------------|----------------------|
| REVISED EC NO: S2009-0814 DRWN:SKANG CHYKD:ATSEE APPR:MLONG 2009/09/01 2009/09/04 2009/09/05 | DESCRIPTION H2 | QUALITY SYMBOLS | GENERAL TOLERANCES (UNLESS SPECIFIED) | DIMENSION STYLE | SCALE | DESIGN UNITS | THIRD ANGLE PROJECTION | |
| | | ▽=0 Ⓢ=0 | mm INCH 4 PLACES ± --- ± --- 3 PLACES ± --- ± --- 2 PLACES ± --- ± .01 1 PLACE ± 0.25 ± --- ANGULAR ± 1/2° | IN/MM DRAWN BY DATE DJB 1995/03/15 CHECKED BY DATE DJB 1995/03/15 APPROVED BY DATE DJB 1995/03/15 | NTS TITLE | INCH SMT RECEPTACLE RIGHT ANGLE, DUAL ROW WITH AND WITHOUT PEG | MOLEX INCORPORATED | SHEET NO. 1 OF 12 |
| | | DRAFT WHERE APPLICABLE MUST REMAIN WITHIN DIMENSIONS | MATERIAL NO. SEE TABLE | DOCUMENT NO. SDA-71979-**** | | | | |
| | | SIZE A3 | THIS DRAWING CONTAINS INFORMATION THAT IS PROPRIETARY TO MOLEX INCORPORATED AND SHOULD NOT BE USED WITHOUT WRITTEN PERMISSION | | | | | |

4 DIGIT DATE CODE ON THIS SURFACE. MUST BE SOLVENT RESISTANT

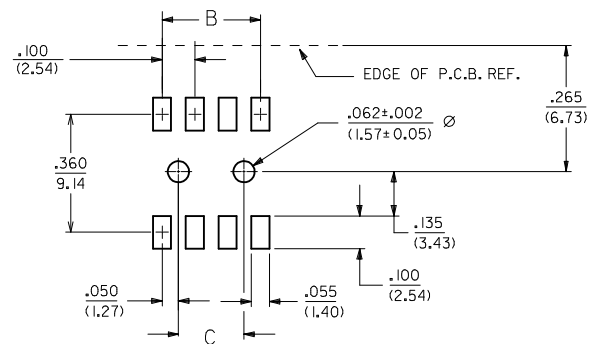


SECTION Y-Y



OPTION B ASSEMBLY

(ASSEMBLY WITH PEG AND LOWER ROW PINSTOP)



RECOMMENDED P.C.B. LAYOUT

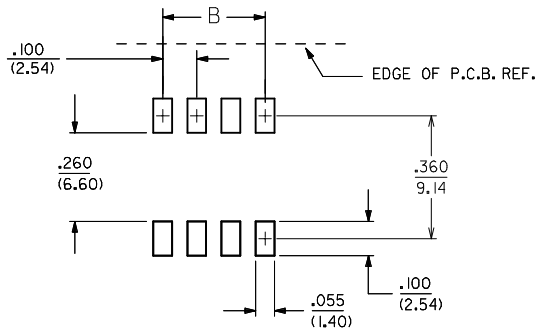
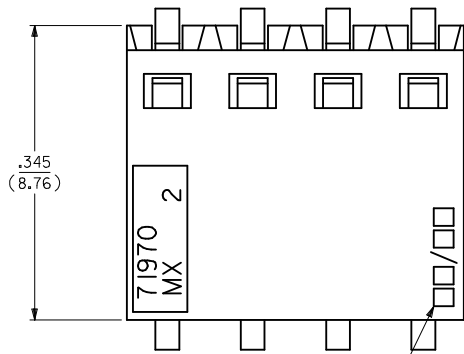
NOTES:

- 1.) MATERIALS:
HOUSING - LCP, 94V-0, BLACK
TERMINAL - PHOS. BRONZE ALLOY
- 2.) 8 CKT SHOWN FOR ILLUSTRATION PURPOSES. SEE CHART ON SHEET 8 FOR OTHER SIZES.
- 3.) SCRATCHES AND BURNISHING ALLOWED ON TERMINAL TAILS PROVIDING BASE METAL IS NOT EXPOSED.
- 4.) RECOMMENDED MATING PIN LENGTHS:
LOWER ROW - .200' MIN./ .250'MAX.
UPPER ROW - .200' MIN.
- 5.) REFER TO PS-71973-9999 FOR PERFORMANCE DATA.

PLATING:

- 15 GOLD 15 MICROINCH MINIMUM SELECTIVE GOLD IN THE CONTACT AREA; 75 MICROINCH MINIMUM SELECTIVE TIN IN THE PC TAIL AREA OVER 50 MICROINCH MINIMUM NICKEL OVERALL.
 - 30 GOLD 30 MICROINCH MINIMUM SELECTIVE GOLD IN THE CONTACT AREA; 75 MICROINCH MINIMUM SELECTIVE TIN IN THE PC TAIL AREA OVER 50 MICROINCH MINIMUM NICKEL OVERALL.
 - 50 GOLD 50 MICROINCH MINIMUM SELECTIVE GOLD IN THE CONTACT AREA; 75 MICROINCH MINIMUM SELECTIVE TIN IN THE PC TAIL AREA OVER 50 MICROINCH MINIMUM NICKEL OVERALL.
- *THE PRIMARY SHIPPING CARTON WILL BE LABELED 'COMPLIANT TO RoHS DIRECTIVE 2002/95/EC AND ELY ANNEX II OF DIRECTIVE 2000/53/EC'. CARTONS WITHOUT THIS LABEL MAY CONTAIN PRODUCT WITH LEAD.

| | | | | | | | | |
|---|----|--------------------|---|--|--|----------------------|--------------|--|
| REVISED EC NO: S2009-0814 DRWN:SKANG 2009/09/01 CHKD:ATSEE 2009/09/04 APPR:MLONG 2009/09/05 | H2 | DESCRIPTION REV | QUALITY SYMBOLS | GENERAL TOLERANCES (UNLESS SPECIFIED) | DIMENSION STYLE | SCALE | DESIGN UNITS | THIRD ANGLE PROJECTION |
| | | | ▼=0 C=0 | mm INCH 4 PLACES ± --- ± --- 3 PLACES ± --- ± --- 2 PLACES ± --- ± .01 1 PLACE ± 0.25 ± --- ANGULAR ± 1/2° | IN/MM DRAWN BY DATE CHECKED BY DATE APPROVED BY DATE | NTS INCH | INCH | TITLE SMT RECEPTACLE RIGHT ANGLE, DUAL ROW WITH AND WITHOUT PEG MOLEX INCORPORATED |
| | | | DRAFT WHERE APPLICABLE MUST REMAIN WITHIN DIMENSIONS | MATERIAL NO. SEE TABLE | DOCUMENT NO. SDA-71979-**** | SHEET NO. 2 OF 12 | | |
| | | | THIS DRAWING CONTAINS INFORMATION THAT IS PROPRIETARY TO MOLEX INCORPORATED AND SHOULD NOT BE USED WITHOUT WRITTEN PERMISSION | | | | | |

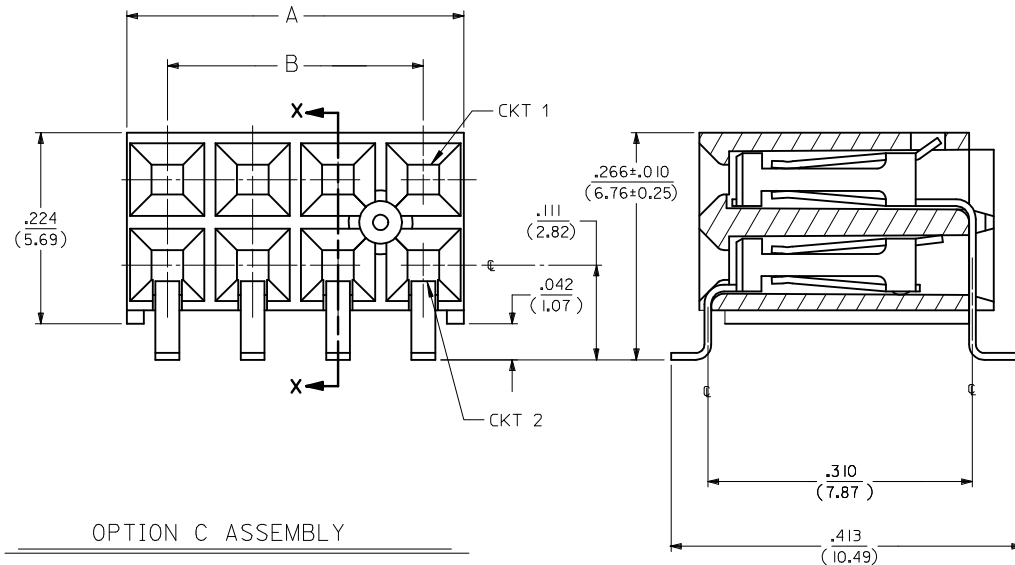


NOTES:

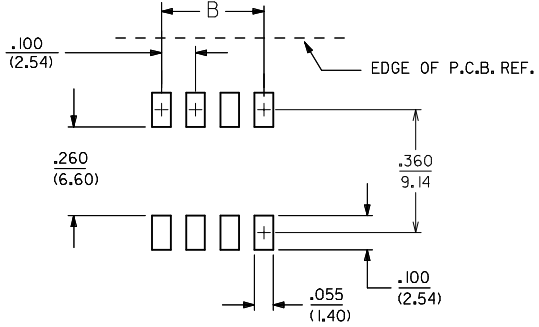
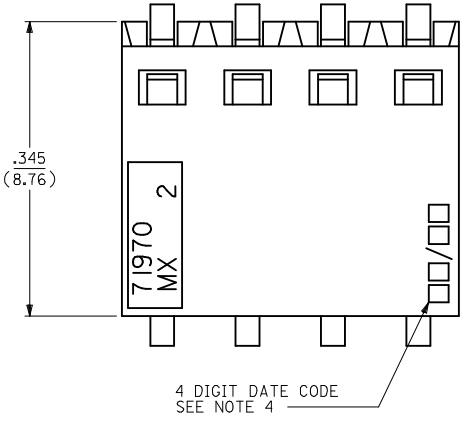
- 1.) MATERIALS:
HOUSING - LCP, 94V-0, BLACK.
TERMINAL - PHOS. BRONZE ALLOY
- 2.) 8 CKT SHOWN FOR ILLUSTRATION PURPOSES. SEE CHART ON SHEET 9 FOR OTHER SIZES.
- 3.) SCRATCHES AND BURNISHING ALLOWED ON TERMINAL TAILS PROVIDING BASE METAL IS NOT EXPOSED.
- 4.) MANUFACTURED DATE CODE WEEK/YEAR.
- 5.) RECOMMENDED MATING PIN LENGTHS:
LOWER ROW - .200" MIN./ .285" MAX.
UPPER ROW - .200" MIN.
- 6.) REFER TO PS-71973-9999 FOR PERFORMANCE DATA.

PLATING:

- 15 GOLD 15 MICROINCH MINIMUM SELECTIVE GOLD IN THE CONTACT AREA; 75 MICROINCH MINIMUM SELECTIVE TIN IN THE PC TAIL AREA OVER 50 MICROINCH MINIMUM NICKEL OVERALL.
- 30 GOLD 30 MICROINCH MINIMUM SELECTIVE GOLD IN THE CONTACT AREA; 75 MICROINCH MINIMUM SELECTIVE TIN IN THE PC TAIL AREA OVER 50 MICROINCH MINIMUM NICKEL OVERALL.
- 50 GOLD 50 MICROINCH MINIMUM SELECTIVE GOLD IN THE CONTACT AREA; 75 MICROINCH MINIMUM SELECTIVE TIN IN THE PC TAIL AREA OVER 50 MICROINCH MINIMUM NICKEL OVERALL.
- *THE PRIMARY SHIPPING CARTON WILL BE LABELED "COMPLIANT TO RoHS DIRECTIVE 2002/95/EC AND ELV ANNEX II OF DIRECTIVE 2000/53/EC". CARTONS WITHOUT THIS LABEL MAY CONTAIN PRODUCT WITH LEAD.



| REVISED | EC NO: S2009-0814 | DRWN:SKANG | CHKD:ATSEE | APPR:MLONG | REV | DESCRIPTION | QUALITY SYMBOLS | | GENERAL TOLERANCES (UNLESS SPECIFIED) | | DIMENSION STYLE | | SCALE | DESIGN UNITS | THIRD ANGLE PROJECTION |
|---------|-------------------|------------|------------|------------|-----|-------------|-----------------|----------|---------------------------------------|-------|-----------------|------------|---|--------------|---|
| | | | | | | | mm | INCH | IN/MM | NTS | INCH | | | | |
| | | | | | | | ▽=0 | □=0 | 4 PLACES | ± --- | ± --- | DRAWN BY | DATE | TITLE | SMT RECEPTACLE RIGHT ANGLE, DUAL ROW WITH AND WITHOUT PEG |
| | | | | | | | | 3 PLACES | ± --- | ± --- | DJB | 1995/03/15 | CHECKED BY | DATE | |
| | | | | | | | | 2 PLACES | ± --- | ± .01 | DJB | 1995/03/15 | APPROVED BY | DATE | SDA-71979-**** |
| | | | | | | | | 1 PLACE | ± 0.25 | ± --- | DJB | 1995/03/15 | MATERIAL NO. | DOCUMENT NO. | |
| | | | | | | | | | ANGULAR ± 1/2° | | SEE TABLE | | THIS DRAWING CONTAINS INFORMATION THAT IS PROPRIETARY TO MOLEX INCORPORATED AND SHOULD NOT BE USED WITHOUT WRITTEN PERMISSION | | 3 OF 12 |



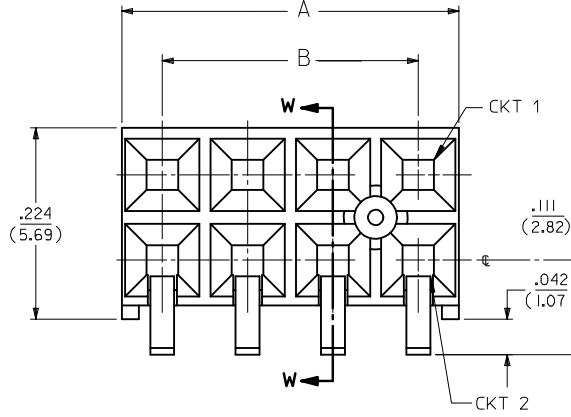
RECOMMENDED P.C.B. LAYOUT

NOTES:

- 1.) MATERIALS:
HOUSING - LCP, 94V-0, BLACK
TERMINAL - PHOS. BRONZE ALLOY
- 2.) 8 CKT FOR ILLUSTRATION PURPOSES.
SEE CHART ON SHEET 10 FOR OTHER SIZES.
- 3.) SCRATCHES AND BURNISHING ALLOWED ON
TERMINAL TAILS PROVIDING BASE METAL
IS NOT EXPOSED.
- 4.) MANUFACTURED DATE CODE WEEK/YEAR.
- 5.) RECOMMENDED MATING PIN LENGTHS:
LOWER ROW - .200" MIN./ .250" MAX.
UPPER ROW - .200" MIN.
- 6.) REFER TO PS-71973-9999 FOR PERFORMANCE DATA.

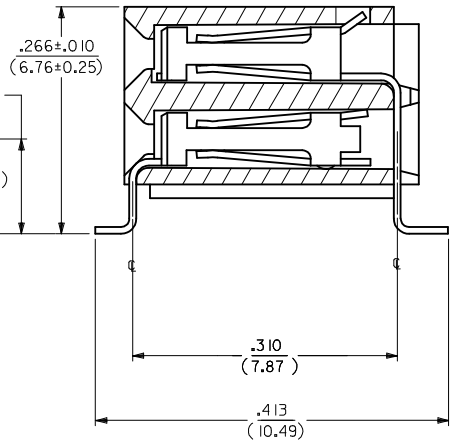
PLATING:

- 15 GOLD 15 MICROINCH MINIMUM SELECTIVE GOLD IN THE CONTACT AREA; 75 MICROINCH MINIMUM SELECTIVE TIN IN THE PC TAIL AREA OVER 50 MICROINCH MINIMUM NICKEL OVERALL.
 - 30 GOLD 30 MICROINCH MINIMUM SELECTIVE GOLD IN THE CONTACT AREA; 75 MICROINCH MINIMUM SELECTIVE TIN IN THE PC TAIL AREA OVER 50 MICROINCH MINIMUM NICKEL OVERALL.
 - 50 GOLD 50 MICROINCH MINIMUM SELECTIVE GOLD IN THE CONTACT AREA; 75 MICROINCH MINIMUM SELECTIVE TIN IN THE PC TAIL AREA OVER 50 MICROINCH MINIMUM NICKEL OVERALL.
- *THE PRIMARY SHIPPING CARTON WILL BE LABELED "COMPLIANT TO ROHS DIRECTIVE 2002/95/EC AND ELV ANNEX II OF DIRECTIVE 2000/53/EC". CARTONS WITHOUT THIS LABEL MAY CONTAIN PRODUCT WITH LEAD.



OPTION D ASSEMBLY

(ASSEMBLY WITHOUT PEG AND WITH LOWER ROW PINSTOP)



SECTION W-W

| | | | | | | |
|--|-----------------|---|---|------------------|---|------------------------|
| REVISED EC NO: S2009-0814 DRWN:SKANG CHKD:ATSEE APPR:MLONG 2009/09/01 2009/09/04 2009/09/05 | QUALITY SYMBOLS | GENERAL TOLERANCES (UNLESS SPECIFIED) | DIMENSION STYLE | SCALE | DESIGN UNITS | THIRD ANGLE PROJECTION |
| | ▼=0 Ⓢ=0 | mm INCH 4 PLACES ± --- ± --- 3 PLACES ± --- ± --- 2 PLACES ± --- ± .01 1 PLACE ± 0.25 ± --- ANGULAR ± 1/2° | IN/MM | NTS | INCH | |
| | DESCRIPTION | DRAFT WHERE APPLICABLE MUST REMAIN WITHIN DIMENSIONS | DRAWN BY DATE | TITLE | SMT RECEPTACLE RIGHT ANGLE, DUAL ROW WITH AND WITHOUT PEG | |
| | REV | | CHECKED BY DATE | APPROVED BY DATE | MOLEX INCORPORATED | |
| | | | MATERIAL NO. | DOCUMENT NO. | SHEET NO. | |
| | | | SEE TABLE | SDA-71979-**** | 4 OF 12 | |
| | | | THIS DRAWING CONTAINS INFORMATION THAT IS PROPRIETARY TO MOLEX INCORPORATED AND SHOULD NOT BE USED WITHOUT WRITTEN PERMISSION | | | |

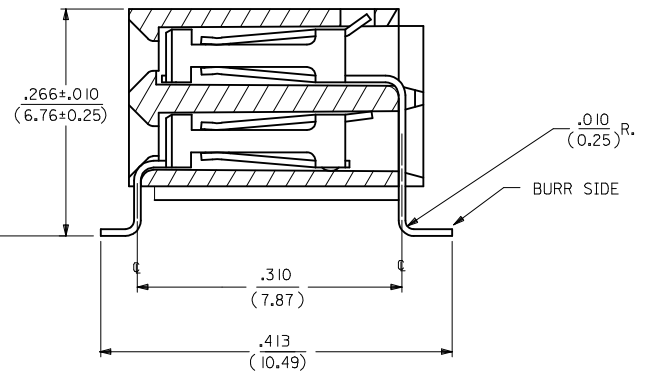
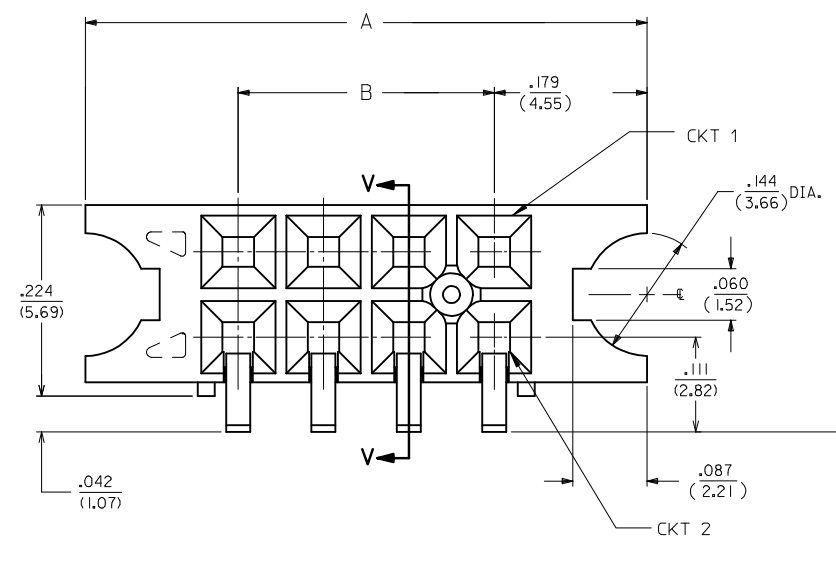
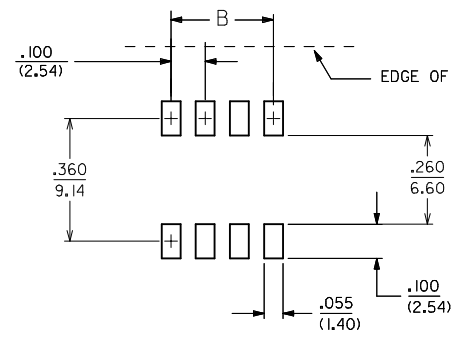
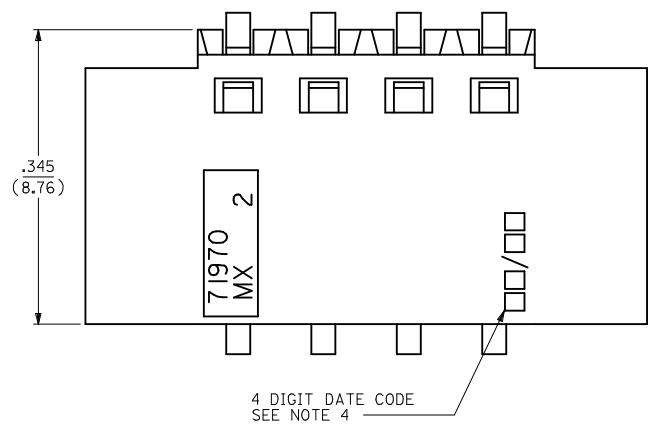
NOTES:

- 1.) MATERIALS:
HOUSING - VECTRA A-130, 94V-0, BLACK
TERMINAL - PHOS. BRONZE ALLOY 52I.
- 2.) 8 CKT SHOWN FOR ILLUSTRATION PURPOSES.
SEE CHART ON SHEET 11 FOR OTHER SIZES.
- 3.) SCRATCHES AND BURNISHING ALLOWED ON
TERMINAL TAILS PROVIDING BASE METAL
IS NOT EXPOSED.
- 4.) MANUFACTURED DATE CODE WEEK/YEAR.
- 5.) RECOMMENDED MATING PIN LENGTHS:
LOWER ROW - .200" MIN./ .285" MAX.
UPPER ROW - .200" MIN.
- 6.) REFER TO PS-71973-9999 FOR PERFORMANCE DATA.

PLATING:

- 15 GOLD 15 MICROINCH MINIMUM SELECTIVE GOLD IN THE CONTACT AREA; 75 MICROINCH MINIMUM SELECTIVE TIN IN THE PC TAIL AREA OVER 50 MICROINCH MINIMUM NICKEL OVERALL.
- 30 GOLD 30 MICROINCH MINIMUM SELECTIVE GOLD IN THE CONTACT AREA; 75 MICROINCH MINIMUM SELECTIVE TIN IN THE PC TAIL AREA OVER 50 MICROINCH MINIMUM NICKEL OVERALL.
- 50 GOLD 50 MICROINCH MINIMUM SELECTIVE GOLD IN THE CONTACT AREA; 75 MICROINCH MINIMUM SELECTIVE TIN IN THE PC TAIL AREA OVER 50 MICROINCH MINIMUM NICKEL OVERALL.

*THE PRIMARY SHIPPING CARTON WILL BE LABELED "COMPLIANT TO RoHS DIRECTIVE 2002/95/EC AND ELV ANNEX II OF DIRECTIVE 2000/53/EC". CARTONS WITHOUT THIS LABEL MAY CONTAIN PRODUCT WITH LEAD.



(ASSEMBLY WITHOUT PEG OR LOWER ROW PINSTOP, WITH FLANGE)

| | | | | | |
|--|--|--|--|--|--|
| REVISED EC NO: S2009-0814 DRWN:SKANG CHKD:ATSEE APPR:MLONG 2009/09/01 2009/09/04 2009/09/05 | QUALITY SYMBOLS ▽=0 ◻=0 | GENERAL TOLERANCES (UNLESS SPECIFIED) mm INCH 4 PLACES ± --- ± --- 3 PLACES ± --- ± --- 2 PLACES ± --- ± .01 1 PLACE ± 0.25 ± --- ANGULAR ± 1/2° | DIMENSION STYLE IN/MM DRAWN BY DATE DJB 1995/03/15 CHECKED BY DATE DJB 1995/03/15 APPROVED BY DATE DJB 1995/03/15 | SCALE NTS DESIGN UNITS INCH THIRD ANGLE PROJECTION | TITLE SMT RECEPTACLE RIGHT ANGLE, DUAL ROW WITH AND WITHOUT PEG MOLEX INCORPORATED |
| | DRAFT WHERE APPLICABLE MUST REMAIN WITHIN DIMENSIONS | MATERIAL NO. SEE TABLE | DOCUMENT NO. SDA-71979-**** | SHEET NO. 5 OF 12 | |
| | SIZE A3 | THIS DRAWING CONTAINS INFORMATION THAT IS PROPRIETARY TO MOLEX INCORPORATED AND SHOULD NOT BE USED WITHOUT WRITTEN PERMISSION | | | |
| | H2 | | | | |

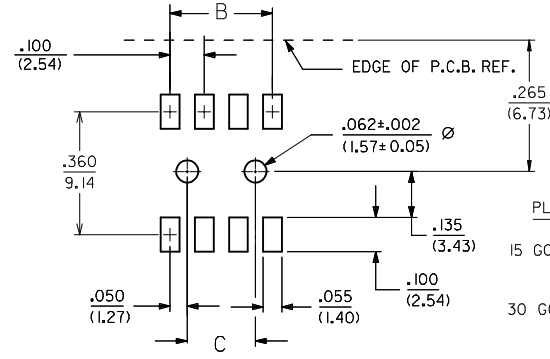
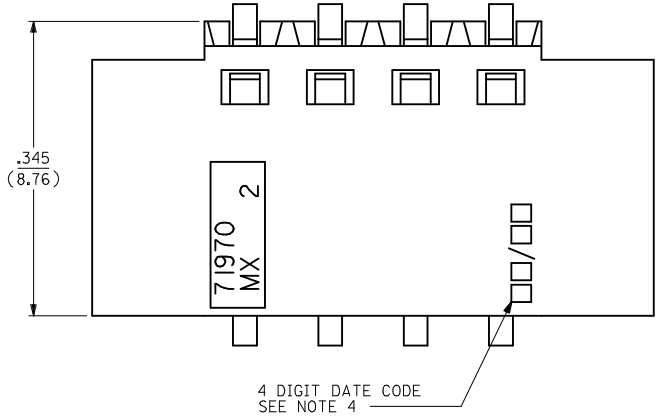
NOTES:

- 1.) MATERIALS:
HOUSING - VECTRA A-130, 94V-0, BLACK
TERMINAL - PHOS. BRONZE ALLOY 521.
- 2.) 8 CKT SHOWN FOR ILLUSTRATION PURPOSES.
SEE CHART ON SHEET 12.
- 3.) SCRATCHES AND BURNISHING ALLOWED ON
TERMINAL TAILS PROVIDING BASE METAL
IS NOT EXPOSED.
- 4.) MANUFACTURED DATE CODE WEEK/YEAR.
- 5.) RECOMMENDED MATING PIN LENGTHS:
LOWER ROW - .200" MIN./ .285" MAX.
UPPER ROW - .200" MIN.
- 6.) REFER TO PS-71973-9999 FOR PERFORMANCE DATA.

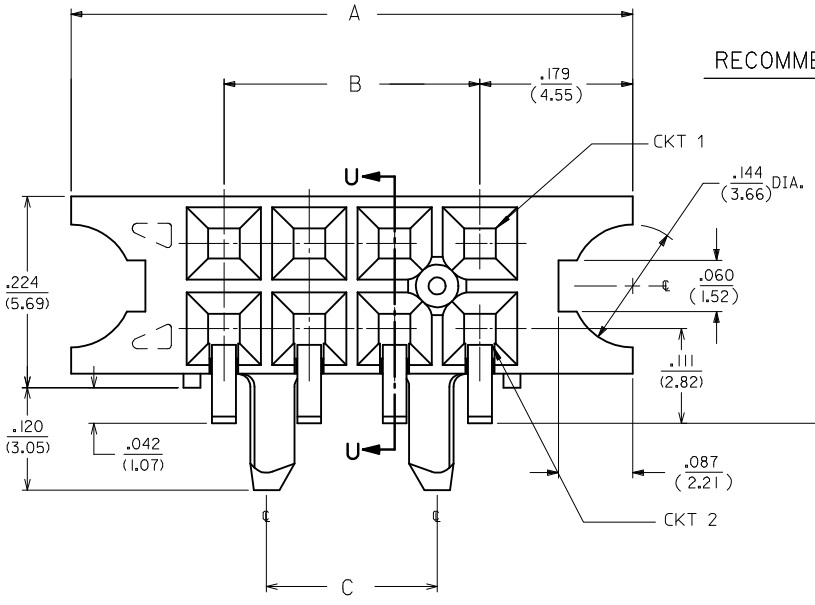
PLATING:

- 15 GOLD 15 MICROINCH MINIMUM SELECTIVE GOLD IN THE CONTACT AREA; 75 MICROINCH MINIMUM SELECTIVE TIN IN THE PC TAIL AREA OVER 50 MICROINCH MINIMUM NICKEL OVERALL.
- 30 GOLD 30 MICROINCH MINIMUM SELECTIVE GOLD IN THE CONTACT AREA; 75 MICROINCH MINIMUM SELECTIVE TIN IN THE PC TAIL AREA OVER 50 MICROINCH MINIMUM NICKEL OVERALL.
- 50 GOLD 50 MICROINCH MINIMUM SELECTIVE GOLD IN THE CONTACT AREA; 75 MICROINCH MINIMUM SELECTIVE TIN IN THE PC TAIL AREA OVER 50 MICROINCH MINIMUM NICKEL OVERALL.

*THE PRIMARY SHIPPING CARTON WILL BE LABELED "COMPLIANT TO ROHS DIRECTIVE 2002/95/EC AND ELV ANNEX II OF DIRECTIVE 2000/53/EC". CARTONS WITHOUT THIS LABEL MAY CONTAIN PRODUCT WITH LEAD.

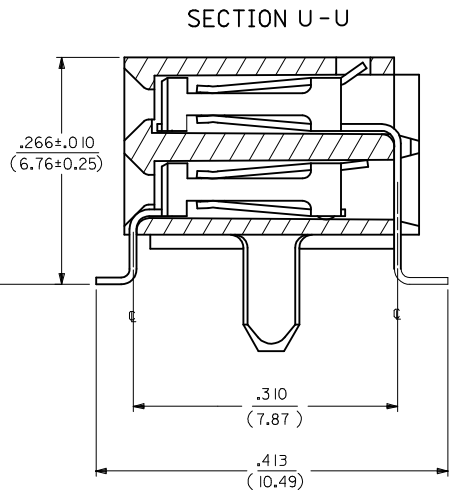


RECOMMENDED P.C.B. LAYOUT



OPTION F ASSEMBLY

(ASSEMBLY WITHOUT LOWER ROW PINSTOP, WITH FLANGE AND PEG)



| | | | | | |
|--|-------------------------------|--|--|--|--|
| REVISED EC NO: S2009-0814 DRWN:SKANG CHKD:ATSEE APPR:MLONG 2009/09/01 2009/09/04 2009/09/05 | QUALITY SYMBOLS ▽=0 ◻=0 | GENERAL TOLERANCES (UNLESS SPECIFIED) mm INCH 4 PLACES ± --- ± --- 3 PLACES ± --- ± --- 2 PLACES ± --- ± .01 1 PLACE ± 0.25 ± --- ANGULAR ± 1/2° | DIMENSION STYLE IN/MM DRAWN BY DATE DJB 1995/03/15 CHECKED BY DATE DJB 1995/03/15 APPROVED BY DATE DJB 1995/03/15 | SCALE NTS DESIGN UNITS INCH THIRD ANGLE PROJECTION | TITLE SMT RECEPTACLE RIGHT ANGLE, DUAL ROW WITH AND WITHOUT PEG MOLEX INCORPORATED |
| | H2 | DRAFT WHERE APPLICABLE MUST REMAIN WITHIN DIMENSIONS | MATERIAL NO. SEE TABLE | DOCUMENT NO. SDA-71979-**** | SHEET NO. 6 OF 12 |
| | SIZE A3 | THIS DRAWING CONTAINS INFORMATION THAT IS PROPRIETARY TO MOLEX INCORPORATED AND SHOULD NOT BE USED WITHOUT WRITTEN PERMISSION | | | |
| | | | | | |

| NO. OF CKTS | | OPTION A ASSEMBLY PLATINGS PER ES-88-(***) (SEE SHEET I FOR PLATING SPECIFICATIONS) | | | | | DIMENSION | | | | NO. OF CKTS | | OPTION A ASSEMBLY PLATINGS PER ES-88-(***) (SEE SHEET I FOR PLATING SPECIFICATIONS) | | | | | DIMENSION | | | | | |
|-------------|-------|---|------------|------------|------------------|------------------|------------------|--|---|---|-------------|---------|---|------------|------------|------------------|------------------|------------------|---------|--|---|---|---|
| PER ROW | TOTAL | 15 GOLD | | | 30 GOLD | | 50 GOLD | | A | B | C | PER ROW | TOTAL | 15 GOLD | | | 30 GOLD | | 50 GOLD | | A | B | C |
| 4 | 8 | 71979-0204 | 71979-0304 | 71979-0404 | .395 (10.03) | .300 (7.62) | .200 (5.08) | | | | 34 | 68 | 71979-0234 | 71979-0334 | 71979-0434 | 3.395 (86.23) | 3.300 (83.82) | 3.200 (81.28) | | | | | |
| 5 | 10 | 71979-0205 | 71979-0305 | 71979-0405 | .495 (12.57) | .400 (10.16) | .300 (7.62) | | | | 35 | 70 | 71979-0235 | 71979-0335 | 71979-0435 | 3.495 (88.77) | 3.400 (86.36) | 3.300 (83.82) | | | | | |
| 6 | 12 | 71979-0206 | 71979-0306 | 71979-0406 | .595 (15.11) | .500 (12.70) | .400 (10.16) | | | | 36 | 72 | 71979-0236 | 71979-0336 | 71979-0436 | 3.595 (91.31) | 3.500 (88.90) | 3.400 (86.36) | | | | | |
| 7 | 14 | 71979-0207 | 71979-0307 | 71979-0407 | .695 (17.65) | .600 (15.24) | .500 (12.70) | | | | | | | | | | | | | | | | |
| 8 | 16 | 71979-0208 | 71979-0308 | 71979-0408 | .795 (20.19) | .700 (17.78) | .600 (15.24) | | | | | | | | | | | | | | | | |
| 9 | 18 | 71979-0209 | 71979-0309 | 71979-0409 | .895 (22.73) | .800 (20.32) | .700 (17.78) | | | | | | | | | | | | | | | | |
| 10 | 20 | 71979-0210 | 71979-0310 | 71979-0410 | .995 (25.27) | .900 (22.86) | .800 (20.32) | | | | | | | | | | | | | | | | |
| 11 | 22 | 71979-0211 | 71979-0311 | 71979-0411 | 1.095 (27.81) | 1.000 (25.40) | .900 (22.86) | | | | | | | | | | | | | | | | |
| 12 | 24 | 71979-0212 | 71979-0312 | 71979-0412 | 1.195 (30.35) | 1.100 (27.94) | 1.000 (25.40) | | | | | | | | | | | | | | | | |
| 13 | 26 | 71979-0213 | 71979-0313 | 71979-0413 | 1.295 (32.89) | 1.200 (30.48) | 1.100 (27.94) | | | | | | | | | | | | | | | | |
| 14 | 28 | 71979-0214 | 71979-0314 | 71979-0414 | 1.395 (35.43) | 1.300 (33.02) | 1.200 (30.48) | | | | | | | | | | | | | | | | |
| 15 | 30 | 71979-0215 | 71979-0315 | 71979-0415 | 1.495 (37.97) | 1.400 (35.56) | 1.300 (33.02) | | | | | | | | | | | | | | | | |
| 16 | 32 | 71979-0216 | 71979-0316 | 71979-0416 | 1.595 (40.51) | 1.500 (38.10) | 1.400 (35.56) | | | | | | | | | | | | | | | | |
| 17 | 34 | 71979-0217 | 71979-0317 | 71979-0417 | 1.695 (43.05) | 1.600 (40.64) | 1.500 (38.10) | | | | | | | | | | | | | | | | |
| 18 | 36 | 71979-0218 | 71979-0318 | 71979-0418 | 1.795 (45.59) | 1.700 (43.18) | 1.600 (40.64) | | | | | | | | | | | | | | | | |
| 19 | 38 | 71979-0219 | 71979-0319 | 71979-0419 | 1.895 (48.13) | 1.800 (45.72) | 1.700 (43.18) | | | | | | | | | | | | | | | | |
| 20 | 40 | 71979-0220 | 71979-0320 | 71979-0420 | 1.995 (50.67) | 1.900 (48.26) | 1.800 (45.72) | | | | | | | | | | | | | | | | |
| 21 | 42 | 71979-0221 | 71979-0321 | 71979-0421 | 2.095 (53.21) | 2.000 (50.80) | 1.900 (48.26) | | | | | | | | | | | | | | | | |
| 22 | 44 | 71979-0222 | 71979-0322 | 71979-0422 | 2.195 (55.75) | 2.100 (53.34) | 2.000 (50.80) | | | | | | | | | | | | | | | | |
| 23 | 46 | 71979-0223 | 71979-0323 | 71979-0423 | 2.295 (58.29) | 2.200 (55.88) | 2.100 (53.34) | | | | | | | | | | | | | | | | |
| 24 | 48 | 71979-0224 | 71979-0324 | 71979-0424 | 2.395 (60.83) | 2.300 (58.42) | 2.200 (55.88) | | | | | | | | | | | | | | | | |
| 25 | 50 | 71979-0225 | 71979-0325 | 71979-0425 | 2.495 (63.37) | 2.400 (60.96) | 2.300 (58.42) | | | | | | | | | | | | | | | | |
| 26 | 52 | 71979-0226 | 71979-0326 | 71979-0426 | 2.595 (65.91) | 2.500 (63.50) | 2.400 (60.96) | | | | | | | | | | | | | | | | |
| 27 | 54 | 71979-0227 | 71979-0327 | 71979-0427 | 2.695 (68.45) | 2.600 (66.04) | 2.500 (63.50) | | | | | | | | | | | | | | | | |
| 28 | 56 | 71979-0228 | 71979-0328 | 71979-0428 | 2.795 (70.99) | 2.700 (68.58) | 2.600 (66.04) | | | | | | | | | | | | | | | | |
| 29 | 58 | 71979-0229 | 71979-0329 | 71979-0429 | 2.895 (73.53) | 2.800 (71.12) | 2.700 (68.58) | | | | | | | | | | | | | | | | |
| 30 | 60 | 71979-0230 | 71979-0330 | 71979-0430 | 2.995 (76.07) | 2.900 (73.66) | 2.800 (71.12) | | | | | | | | | | | | | | | | |
| 31 | 62 | 71979-0231 | 71979-0331 | 71979-0431 | 3.095 (78.61) | 3.000 (76.20) | 2.900 (73.66) | | | | | | | | | | | | | | | | |
| 32 | 64 | 71979-0232 | 71979-0332 | 71979-0432 | 3.195 (81.15) | 3.100 (78.74) | 3.000 (76.20) | | | | | | | | | | | | | | | | |
| 33 | 66 | 71979-0233 | 71979-0333 | 71979-0433 | 3.295 (83.69) | 3.200 (81.28) | 3.100 (78.74) | | | | | | | | | | | | | | | | |

NOTE: ALL CONNECTORS ARE PACKAGED IN TUBES PER PK-70873-0138

"X" INDICATES TOOLING IS NOT AVAILABLE.

REVISED
EC NO: S2009-0814
DRWN:SKANG
CHKD:ATSEE
APPR:MLONG
2009/09/01
2009/09/04
2009/09/05

QUALITY SYMBOLS
▽=0
◁=0
DESCRIPTION
REV

GENERAL TOLERANCES (UNLESS SPECIFIED)
mm INCH
4 PLACES ± --- ± ---
3 PLACES ± --- ± ---
2 PLACES ± --- ± .01
1 PLACE ± 0.25 ± ---
ANGULAR ± 1/2°
DRAFT WHERE APPLICABLE
MUST REMAIN WITHIN DIMENSIONS

DIMENSION STYLE
IN/MM
DRAWN BY DATE
DJB 1995/03/15
CHECKED BY DATE
DJB 1995/03/15
APPROVED BY DATE
DJB 1995/03/15
MATERIAL NO.
SEE TABLE

SCALE
NTS
DESIGN UNITS
INCH
THIRD ANGLE PROJECTION
TITLE
SMT RECEPTACLE
RIGHT ANGLE, DUAL ROW
WITH AND WITHOUT PEG
MOLEX INCORPORATED
DOCUMENT NO.
SDA-71979-****
SHEET NO.
7 OF 12
THIS DRAWING CONTAINS INFORMATION THAT IS PROPRIETARY TO MOLEX INCORPORATED AND SHOULD NOT BE USED WITHOUT WRITTEN PERMISSION

| 10 | | 9 | | 8 | | 7 | | 6 | | 5 | | 4 | | 3 | | 2 | | 1 | | | | | |
|-------------|-------|--|--|------------|------------|------------|------------------|------------------|------------------|---------|-------|-------------|------------|--|------------|------------------|------------------|------------------|------------------|-----------|--|--|--|
| NO. OF CKTS | | OPTION B ASSEMBLY PLATINGS PER ES-88-(****) (SEE SHEET I FOR PLATING SPECIFICATIONS) | | | | | | DIMENSION | | | | NO. OF CKTS | | OPTION B ASSEMBLY PLATINGS PER ES-88-(****) (SEE SHEET I FOR PLATING SPECIFICATIONS) | | | | | | DIMENSION | | | |
| PER ROW | TOTAL | | | 15 GOLD | 30 GOLD | 50 GOLD | A | B | C | PER ROW | TOTAL | | | 15 GOLD | 30 GOLD | 50 GOLD | A | B | C | | | | |
| F | 4 | 8 | | 71979-1004 | 71979-1104 | 71979-1204 | .395 (10.03) | .300 (7.62) | .200 (5.08) | 34 | 68 | | 71979-1034 | 71979-1134 | 71878-1234 | 3.395 (86.23) | 3.300 (83.82) | 3.200 (81.28) | | | | | |
| | 5 | 10 | | 71979-1005 | 71979-1105 | 71979-1205 | .495 (12.57) | .400 (10.16) | .300 (7.62) | | 35 | 70 | | 71979-1035 | 71979-1135 | 71878-1235 | 3.495 (88.77) | 3.400 (86.36) | 3.300 (83.82) | | | | |
| | 6 | 12 | | 71979-1006 | 71979-1106 | 71979-1206 | .595 (15.11) | .500 (12.70) | .400 (10.16) | | 36 | 72 | | 71979-1036 | 71979-1136 | 71878-1236 | 3.595 (91.31) | 3.500 (88.90) | 3.400 (86.36) | | | | |
| | 7 | 14 | | 71979-1007 | 71979-1107 | 71979-1207 | .695 (17.65) | .600 (15.24) | .500 (12.70) | | | | | | | | | | | | | | |
| | 8 | 16 | | 71979-1008 | 71979-1108 | 71979-1208 | .795 (20.19) | .700 (17.78) | .600 (15.24) | | | | | | | | | | | | | | |
| | 9 | 18 | | 71979-1009 | 71979-1109 | 71979-1209 | .895 (22.73) | .800 (20.32) | .700 (17.78) | | | | | | | | | | | | | | |
| | 10 | 20 | | 71979-1010 | 71979-1110 | 71979-1210 | .995 (25.27) | .900 (22.86) | .800 (20.32) | | | | | | | | | | | | | | |
| E | 11 | 22 | | 71979-1011 | 71979-1111 | 71979-1211 | 1.095 (27.81) | 1.000 (25.40) | .900 (22.86) | | | | | | | | | | | | | | |
| | 12 | 24 | | 71979-1012 | 71979-1112 | 71979-1212 | 1.195 (30.35) | 1.100 (27.94) | 1.000 (25.40) | | | | | | | | | | | | | | |
| | 13 | 26 | | 71979-1013 | 71979-1113 | 71979-1213 | 1.295 (32.89) | 1.200 (30.48) | 1.100 (27.94) | | | | | | | | | | | | | | |
| | 14 | 28 | | 71979-1014 | 71979-1114 | 71979-1214 | 1.395 (35.43) | 1.300 (33.02) | 1.200 (30.48) | | | | | | | | | | | | | | |
| | 15 | 30 | | 71979-1015 | 71979-1115 | 71979-1215 | 1.495 (37.97) | 1.400 (35.56) | 1.300 (33.02) | | | | | | | | | | | | | | |
| | 16 | 32 | | 71979-1016 | 71979-1116 | 71979-1216 | 1.595 (40.51) | 1.500 (38.10) | 1.400 (35.56) | | | | | | | | | | | | | | |
| | 17 | 34 | | 71979-1017 | 71979-1117 | 71979-1217 | 1.695 (43.05) | 1.600 (40.64) | 1.500 (38.10) | | | | | | | | | | | | | | |
| D | 18 | 36 | | 71979-1018 | 71979-1118 | 71979-1218 | 1.795 (45.59) | 1.700 (43.18) | 1.600 (40.64) | | | | | | | | | | | | | | |
| | 19 | 38 | | 71979-1019 | 71979-1119 | 71979-1219 | 1.895 (48.13) | 1.800 (45.72) | 1.700 (43.18) | | | | | | | | | | | | | | |
| | 20 | 40 | | 71979-1020 | 71979-1120 | 71979-1220 | 1.995 (50.67) | 1.900 (48.26) | 1.800 (45.72) | | | | | | | | | | | | | | |
| | 21 | 42 | | 71979-1021 | 71979-1121 | 71979-1221 | 2.095 (53.21) | 2.000 (50.80) | 1.900 (48.26) | | | | | | | | | | | | | | |
| | 22 | 44 | | 71979-1022 | 71979-1122 | 71979-1222 | 2.195 (55.75) | 2.100 (53.34) | 2.000 (50.80) | | | | | | | | | | | | | | |
| | 23 | 46 | | 71979-1023 | 71979-1123 | 71979-1223 | 2.295 (58.29) | 2.200 (55.88) | 2.100 (53.34) | | | | | | | | | | | | | | |
| | 24 | 48 | | 71979-1024 | 71979-1124 | 71979-1224 | 2.395 (60.83) | 2.300 (58.42) | 2.200 (55.88) | | | | | | | | | | | | | | |
| | 25 | 50 | | 71979-1025 | 71979-1125 | 71979-1225 | 2.495 (63.37) | 2.400 (60.96) | 2.300 (58.42) | | | | | | | | | | | | | | |
| C | 26 | 52 | | 71979-1026 | 71979-1126 | 71979-1226 | 2.595 (65.91) | 2.500 (63.50) | 2.400 (60.96) | | | | | | | | | | | | | | |
| | 27 | 54 | | 71979-1027 | 71979-1127 | 71979-1227 | 2.695 (68.45) | 2.600 (66.04) | 2.500 (63.50) | | | | | | | | | | | | | | |
| | 28 | 56 | | 71979-1028 | 71979-1128 | 71979-1228 | 2.795 (70.99) | 2.700 (68.58) | 2.600 (66.04) | | | | | | | | | | | | | | |
| | 29 | 58 | | 71979-1029 | 71979-1129 | 71979-1229 | 2.895 (73.53) | 2.800 (71.12) | 2.700 (68.58) | | | | | | | | | | | | | | |
| | 30 | 60 | | 71979-1030 | 71979-1130 | 71979-1230 | 2.995 (76.07) | 2.900 (73.66) | 2.800 (71.12) | | | | | | | | | | | | | | |
| | 31 | 62 | | 71979-1031 | 71979-1131 | 71979-1231 | 3.095 (78.61) | 3.000 (76.20) | 2.900 (73.66) | | | | | | | | | | | | | | |
| | 32 | 64 | | 71979-1032 | 71979-1132 | 71979-1232 | 3.195 (81.15) | 3.100 (78.74) | 3.000 (76.20) | | | | | | | | | | | | | | |
| B | 33 | 66 | | 71979-1033 | 71979-1133 | 71979-1233 | 3.295 (83.69) | 3.200 (81.28) | 3.100 (78.74) | | | | | | | | | | | | | | |

NOTE: ALL CONNECTORS ARE PACKAGED IN TUBES PER PK-70873-0138

"X" INDICATES TOOLING IS NOT AVAILABLE.

REVISED
EC NO: S2009-0814
DRWN:SKANG
CHKD:ATSEE
APPR:MLONG
2009/09/01
2009/09/04
2009/09/05

QUALITY SYMBOLS
▽=0
◁=0
DESCRIPTION
REV

GENERAL TOLERANCES (UNLESS SPECIFIED)
mm INCH
4 PLACES ± --- ± ---
3 PLACES ± --- ± ---
2 PLACES ± --- ± .01
1 PLACE ± 0.25 ± ---
ANGULAR ± 1/2°
DRAFT WHERE APPLICABLE
MUST REMAIN WITHIN DIMENSIONS

DIMENSION STYLE
IN/MM
DRAWN BY DATE
DJB 1995/03/15
CHECKED BY DATE
DJB 1995/03/15
APPROVED BY DATE
DJB 1995/03/15
MATERIAL NO.
SEE TABLE
SIZE
A3

SCALE
NTS
DESIGN UNITS
INCH
THIRD ANGLE PROJECTION
TITLE
SMT RECEPTACLE
RIGHT ANGLE, DUAL ROW
WITH AND WITHOUT PEG
MOLEX INCORPORATED
DOCUMENT NO.
SDA-71979-****
SHEET NO.
8 OF 12
THIS DRAWING CONTAINS INFORMATION THAT IS PROPRIETARY TO MOLEX INCORPORATED AND SHOULD NOT BE USED WITHOUT WRITTEN PERMISSION

| 10 | | 9 | | 8 | | 7 | | 6 | | 5 | | 4 | | 3 | | 2 | | 1 | | | | | |
|-------------|-------|--|---------------|--|------------|---------|------------|---------|------------|-----------|---------|-------------|-------|--|--|--|------------|---------|------------|---------|------------|------------------|------------------|
| NO. OF CKTS | | PACKAGING: TUBES PER PK-70873-0138 | | OPTION C ASSEMBLY PLATINGS PER ES-88-(****) (SEE SHEET 1 FOR PLATING SPECIFICATIONS) | | | | | | DIMENSION | | NO. OF CKTS | | PACKAGING: TUBES PER PK-70873-0138 | | OPTION C ASSEMBLY PLATINGS PER ES-88-(****) (SEE SHEET 1 FOR PLATING SPECIFICATIONS) | | | | | | DIMENSION | |
| PER ROW | TOTAL | TAPE AND REEL PER PK-70873-0918 | | 15 GOLD | | 30 GOLD | | 50 GOLD | | A | B | PER ROW | TOTAL | | | 15 GOLD | | 30 GOLD | | 50 GOLD | | A | B |
| | | | | | | | | | | | | | | | | | | | | | | | |
| 4 | 8 | | PK-70873-0138 | | 71979-1804 | | 71979-1904 | | 71979-2004 | .395 | .300 | | 40 | | | | 71979-1820 | | 71979-1920 | | 71979-2020 | 1.995 (50.67) | 1.900 (48.26) |
| | | | PK-70873-0918 | X | 71979-3804 | X | 71979-3904 | X | 71979-4004 | (10.03) | (7.62) | | 42 | | | | 71979-1821 | | 71979-1921 | | 71979-2021 | 2.095 (53.21) | 2.000 (50.80) |
| 5 | 10 | | PK-70873-0138 | | 71979-1805 | | 71979-1905 | | 71979-2005 | .495 | .400 | | 44 | | | | 71979-1822 | | 71979-1922 | | 71979-2022 | 2.195 (55.75) | 2.100 (53.34) |
| | | | PK-70873-0918 | X | 71979-3805 | X | 71979-3905 | X | 71979-4005 | (12.57) | (10.16) | | 46 | | | | 71979-1823 | | 71979-1923 | | 71979-2023 | 2.295 (58.29) | 2.200 (55.88) |
| 6 | 12 | | PK-70873-0138 | | 71979-1806 | | 71979-1906 | | 71979-2006 | .595 | .500 | | 48 | | | | 71979-1824 | | 71979-1924 | | 71979-2024 | 2.395 (60.83) | 2.300 (58.42) |
| | | | PK-70873-0918 | X | 71979-3806 | X | 71979-3906 | X | 71979-4006 | (15.11) | (12.70) | | 50 | | | | 71979-1825 | | 71979-1925 | | 71979-2025 | 2.495 (63.37) | 2.400 (60.96) |
| 7 | 14 | | PK-70873-0138 | | 71979-1807 | | 71979-1907 | | 71979-2007 | .695 | .600 | | 52 | | | | 71979-1826 | | 71979-1926 | | 71979-2026 | 2.595 (65.91) | 2.500 (63.50) |
| | | | PK-70873-0918 | X | 71979-3807 | X | 71979-3907 | X | 71979-4007 | (17.65) | (15.24) | | 54 | | | | 71979-1827 | | 71979-1927 | | 71979-2027 | 2.695 (68.45) | 2.600 (66.04) |
| 8 | 16 | | PK-70873-0138 | | 71979-1808 | | 71979-1908 | | 71979-2008 | .795 | .700 | | 56 | | | | 71979-1828 | | 71979-1928 | | 71979-2028 | 2.795 (70.99) | 2.700 (68.58) |
| | | | PK-70873-0918 | X | 71979-3808 | X | 71979-3908 | X | 71979-4008 | (20.19) | (17.78) | | 58 | | | | 71979-1829 | | 71979-1929 | | 71979-2029 | 2.895 (73.53) | 2.800 (71.12) |
| 9 | 18 | | PK-70873-0138 | | 71979-1809 | | 71979-1909 | | 71979-2009 | .895 | .800 | | 60 | | | | 71979-1830 | | 71979-1930 | | 71979-2030 | 2.995 (76.07) | 2.900 (73.66) |
| | | | PK-70873-0918 | X | 71979-3809 | X | 71979-3909 | X | 71979-4009 | (22.73) | (20.32) | | 62 | | | | 71979-1831 | | 71979-1931 | | 71979-2031 | 3.095 (78.61) | 3.000 (76.20) |
| 10 | 20 | | PK-70873-0138 | | 71979-1810 | | 71979-1910 | | 71979-2010 | .995 | .900 | | 64 | | | | 71979-1832 | | 71979-1932 | | 71979-2032 | 3.195 (81.15) | 3.100 (78.74) |
| | | | PK-70873-0918 | X | 71979-3810 | X | 71979-3910 | X | 71979-4010 | (25.27) | (22.86) | | 66 | | | | 71979-1833 | | 71979-1933 | | 71979-2033 | 3.295 (83.69) | 3.200 (81.28) |
| 11 | 22 | | PK-70873-0138 | | 71979-1811 | | 71979-1911 | | 71979-2011 | 1.095 | 1.000 | | 68 | | | | 71979-1834 | | 71979-1934 | | 71979-2034 | 3.395 (86.23) | 3.300 (83.82) |
| | | | PK-70873-0918 | X | 71979-3811 | X | 71979-3911 | X | 71979-4011 | (27.81) | (25.40) | | 70 | | | | 71979-1835 | | 71979-1935 | | 71979-2035 | 3.495 (88.77) | 3.400 (86.36) |
| 12 | 24 | | PK-70873-0138 | | 71979-1812 | | 71979-1912 | | 71979-2012 | 1.195 | 1.100 | | 72 | | | | 71979-1836 | | 71979-1936 | | 71979-2036 | 3.595 (91.31) | 3.500 (88.90) |
| | | | PK-70873-0918 | X | 71979-3812 | X | 71979-3912 | X | 71979-4012 | (30.35) | (27.94) | | | | | | | | | | | | |
| 13 | 26 | | PK-70873-0138 | | 71979-1813 | | 71979-1913 | | 71979-2013 | 1.295 | 1.200 | | | | | | | | | | | | |
| | | | PK-70873-0918 | X | 71979-3813 | X | 71979-3913 | X | 71979-4013 | (32.89) | (30.48) | | | | | | | | | | | | |
| 14 | 28 | | PK-70873-0138 | | 71979-1814 | | 71979-1914 | | 71979-2014 | 1.395 | 1.300 | | | | | | | | | | | | |
| | | | PK-70873-0918 | X | 71979-3814 | X | 71979-3914 | X | 71979-4014 | (35.43) | (33.02) | | | | | | | | | | | | |
| 15 | 30 | | PK-70873-0138 | | 71979-1815 | | 71979-1915 | | 71979-2015 | 1.495 | 1.400 | | | | | | | | | | | | |
| | | | PK-70873-0918 | X | 71979-3815 | X | 71979-3915 | X | 71979-4015 | (37.97) | (35.56) | | | | | | | | | | | | |
| 16 | 32 | | PK-70873-0138 | | 71979-1816 | | 71979-1916 | | 71979-2016 | 1.595 | 1.500 | | | | | | | | | | | | |
| | | | PK-70873-0918 | X | 71979-3816 | X | 71979-3916 | X | 71979-4016 | (40.51) | (38.10) | | | | | | | | | | | | |
| 17 | 34 | | PK-70873-0138 | | 71979-1817 | | 71979-1917 | | 71979-2017 | 1.695 | 1.600 | | | | | | | | | | | | |
| | | | PK-70873-0918 | X | 71979-3817 | X | 71979-3917 | X | 71979-4017 | (43.05) | (40.64) | | | | | | | | | | | | |
| 18 | 36 | | PK-70873-0138 | | 71979-1818 | | 71979-1918 | | 71979-2018 | 1.795 | 1.700 | | | | | | | | | | | | |
| | | | PK-70873-0918 | X | 71979-3818 | X | 71979-3918 | X | 71979-4018 | (45.59) | (43.18) | | | | | | | | | | | | |
| 19 | 38 | | PK-70873-0138 | | 71979-1819 | | 71979-1919 | | 71979-2019 | 1.895 | 1.800 | | | | | | | | | | | | |
| | | | PK-70873-0918 | X | 71979-3819 | X | 71979-3919 | X | 71979-4019 | (48.13) | (45.72) | | | | | | | | | | | | |

"X" INDICATES TOOLING IS NOT AVAILABLE.

REVISED
EC NO: S2009-0814
2009/09/01
DRWN:SKANG
2009/09/04
CHKD:ATSEE
2009/09/05
APPR:MLONG

QUALITY SYMBOLS
▽=0
◻=0

GENERAL TOLERANCES (UNLESS SPECIFIED)

| | mm | INCH |
|----------|--------|-------|
| 4 PLACES | ± --- | ± --- |
| 3 PLACES | ± --- | ± --- |
| 2 PLACES | ± --- | ± .01 |
| 1 PLACE | ± 0.25 | ± --- |

ANGULAR ±1/2°

DRAFT WHERE APPLICABLE
MUST REMAIN
WITHIN DIMENSIONS

DIMENSION STYLE
IN/MM

SCALE
NTS

DESIGN UNITS
INCH

THIRD ANGLE PROJECTION

DRAWN BY: DJB DATE: 1995/03/15
CHECKED BY: DATE: 1995/03/15
APPROVED BY: DATE: 1995/03/15

MATERIAL NO. SEE TABLE
DOCUMENT NO. SDA-71979-****
SHEET NO. 9 OF 12

THIS DRAWING CONTAINS INFORMATION THAT IS PROPRIETARY TO MOLEX INCORPORATED AND SHOULD NOT BE USED WITHOUT WRITTEN PERMISSION

| NO. OF CKTS | | OPTION D ASSEMBLY PLATINGS PER ES-88-**** (SEE SHEET 1 FOR PLATING SPECIFICATIONS) | | | | | DIMENSION | | | NO. OF CKTS | | OPTION D ASSEMBLY PLATINGS PER ES-88-**** (SEE SHEET 1 FOR PLATING SPECIFICATIONS) | | | | | DIMENSION | | | | |
|-------------|-------|--|--|--|-------------|-------------|-------------|------------------|------------------|-------------|---------|--|--|--|--|-------------|-------------|-------------|------------------|------------------|--|
| PER ROW | TOTAL | | | | 15 GOLD | 30 GOLD | 50 GOLD | A | B | | PER ROW | TOTAL | | | | 15 GOLD | 30 GOLD | 50 GOLD | A | B | |
| 4 | 8 | | | | 7 1979-2604 | 7 1979-2704 | 7 1979-2804 | .395 (10.03) | .300 (7.62) | | 34 | 68 | | | | 7 1979-2634 | 7 1979-2734 | 7 1979-2834 | 3.395 (86.23) | 3.300 (83.82) | |
| 5 | 10 | | | | 7 1979-2605 | 7 1979-2705 | 7 1979-2805 | .495 (12.57) | .400 (10.16) | | 35 | 70 | | | | 7 1979-2635 | 7 1979-2735 | 7 1979-2835 | 3.495 (88.77) | 3.400 (86.36) | |
| 6 | 12 | | | | 7 1979-2606 | 7 1979-2706 | 7 1979-2806 | .595 (15.1) | .500 (12.70) | | 36 | 72 | | | | 7 1979-2636 | 7 1979-2736 | 7 1979-2836 | 3.595 (91.31) | 3.500 (88.90) | |
| 7 | 14 | | | | 7 1979-2607 | 7 1979-2707 | 7 1979-2807 | .695 (17.65) | .600 (15.24) | | | | | | | | | | | | |
| 8 | 16 | | | | 7 1979-2608 | 7 1979-2708 | 7 1979-2808 | .795 (20.19) | .700 (17.78) | | | | | | | | | | | | |
| 9 | 18 | | | | 7 1979-2609 | 7 1979-2709 | 7 1979-2809 | .895 (22.73) | .800 (20.32) | | | | | | | | | | | | |
| 10 | 20 | | | | 7 1979-2610 | 7 1979-2710 | 7 1979-2810 | .995 (25.27) | .900 (22.86) | | | | | | | | | | | | |
| 11 | 22 | | | | 7 1979-2611 | 7 1979-2711 | 7 1979-2811 | 1.095 (27.81) | 1.000 (25.40) | | | | | | | | | | | | |
| 12 | 24 | | | | 7 1979-2612 | 7 1979-2712 | 7 1979-2812 | 1.195 (30.35) | 1.100 (27.94) | | | | | | | | | | | | |
| 13 | 26 | | | | 7 1979-2613 | 7 1979-2713 | 7 1979-2813 | 1.295 (32.89) | 1.200 (30.48) | | | | | | | | | | | | |
| 14 | 28 | | | | 7 1979-2614 | 7 1979-2714 | 7 1979-2814 | 1.395 (35.43) | 1.300 (33.02) | | | | | | | | | | | | |
| 15 | 30 | | | | 7 1979-2615 | 7 1979-2715 | 7 1979-2815 | 1.495 (37.97) | 1.400 (35.56) | | | | | | | | | | | | |
| 16 | 32 | | | | 7 1979-2616 | 7 1979-2716 | 7 1979-2816 | 1.595 (40.51) | 1.500 (38.10) | | | | | | | | | | | | |
| 17 | 34 | | | | 7 1979-2617 | 7 1979-2717 | 7 1979-2817 | 1.695 (43.05) | 1.600 (40.64) | | | | | | | | | | | | |
| 18 | 36 | | | | 7 1979-2618 | 7 1979-2718 | 7 1979-2818 | 1.795 (45.59) | 1.700 (43.18) | | | | | | | | | | | | |
| 19 | 38 | | | | 7 1979-2619 | 7 1979-2719 | 7 1979-2819 | 1.895 (48.13) | 1.800 (45.72) | | | | | | | | | | | | |
| 20 | 40 | | | | 7 1979-2620 | 7 1979-2720 | 7 1979-2820 | 1.995 (50.67) | 1.900 (48.26) | | | | | | | | | | | | |
| 21 | 42 | | | | 7 1979-2621 | 7 1979-2721 | 7 1979-2821 | 2.095 (53.21) | 2.000 (50.80) | | | | | | | | | | | | |
| 22 | 44 | | | | 7 1979-2622 | 7 1979-2722 | 7 1979-2822 | 2.195 (55.75) | 2.100 (53.34) | | | | | | | | | | | | |
| 23 | 46 | | | | 7 1979-2623 | 7 1979-2723 | 7 1979-2823 | 2.295 (58.29) | 2.200 (55.88) | | | | | | | | | | | | |
| 24 | 48 | | | | 7 1979-2624 | 7 1979-2724 | 7 1979-2824 | 2.395 (60.83) | 2.300 (58.42) | | | | | | | | | | | | |
| 25 | 50 | | | | 7 1979-2625 | 7 1979-2725 | 7 1979-2825 | 2.495 (63.37) | 2.400 (60.96) | | | | | | | | | | | | |
| 26 | 52 | | | | 7 1979-2626 | 7 1979-2726 | 7 1979-2826 | 2.595 (65.91) | 2.500 (63.50) | | | | | | | | | | | | |
| 27 | 54 | | | | 7 1979-2627 | 7 1979-2727 | 7 1979-2827 | 2.695 (68.45) | 2.600 (66.04) | | | | | | | | | | | | |
| 28 | 56 | | | | 7 1979-2628 | 7 1979-2728 | 7 1979-2828 | 2.795 (70.99) | 2.700 (68.58) | | | | | | | | | | | | |
| 29 | 58 | | | | 7 1979-2629 | 7 1979-2729 | 7 1979-2829 | 2.895 (73.53) | 2.800 (71.12) | | | | | | | | | | | | |
| 30 | 60 | | | | 7 1979-2630 | 7 1979-2730 | 7 1979-2830 | 2.995 (76.07) | 2.900 (73.66) | | | | | | | | | | | | |
| 31 | 62 | | | | 7 1979-2631 | 7 1979-2731 | 7 1979-2831 | 3.095 (78.61) | 3.000 (76.20) | | | | | | | | | | | | |
| 32 | 64 | | | | 7 1979-2632 | 7 1979-2732 | 7 1979-2832 | 3.195 (81.15) | 3.100 (78.74) | | | | | | | | | | | | |
| 33 | 66 | | | | 7 1979-2633 | 7 1979-2733 | 7 1979-2833 | 3.295 (83.69) | 3.200 (81.28) | | | | | | | | | | | | |

NOTE: ALL CONNECTORS ARE PACKAGED IN TUBES PER PK-70873-0138

X INDICATES TOOLING IS NOT AVAILABLE.

REVISED
EC NO: S2009-0814
DRWN:SKANG
CHKD:ATSEE
APPR:MLONG
2009/09/01
2009/09/04
2009/09/05

QUALITY SYMBOLS
▽=0
◻=0

GENERAL TOLERANCES (UNLESS SPECIFIED)

| | mm | INCH |
|----------------|--------|-------|
| 4 PLACES | ± --- | ± --- |
| 3 PLACES | ± --- | ± --- |
| 2 PLACES | ± --- | ± .01 |
| 1 PLACE | ± 0.25 | ± --- |
| ANGULAR ± 1/2° | | |

DRAFT WHERE APPLICABLE
MUST REMAIN
WITHIN DIMENSIONS

DIMENSION STYLE
IN/MM

DRAWN BY: DJB
DATE: 1995/03/15

CHECKED BY: DJB
DATE: 1995/03/15

APPROVED BY: DJB
DATE: 1995/03/15

MATERIAL NO. SEE TABLE

SCALE NTS

DESIGN UNITS INCH

THIRD ANGLE PROJECTION

TITLE
SMT RECEPTACLE
RIGHT ANGLE, DUAL ROW
WITH AND WITHOUT PEG

MOLEX MOLEX INCORPORATED

DOCUMENT NO. SDA-71979-****

SHEET NO. 10 OF 12

THIS DRAWING CONTAINS INFORMATION THAT IS PROPRIETARY TO MOLEX INCORPORATED AND SHOULD NOT BE USED WITHOUT WRITTEN PERMISSION

| NO. OF CKTS | OPTION E ASSEMBLY PLATING PER ES-88-(****) (SEE SHEET 1 FOR PLATING SPECIFICATIONS) | | | | | | DIMENSION | | |
|-------------|---|-------|------------|------------|------------|------------------|------------------|--|--|
| | PER ROW | TOTAL | 15 GOLD | 30 GOLD | 50 GOLD | A | B | | |
| | | | | | | | | | |
| 4 | 8 | | 71979-3004 | 71979-3104 | 71979-3204 | .658 (16.71) | .300 (7.62) | | |
| 5 | 10 | | 71979-3005 | 71979-3105 | 71979-3205 | .758 (19.25) | .400 (10.16) | | |
| 6 | 12 | | 71979-3006 | 71979-3106 | 71979-3206 | .858 (21.79) | .500 (12.70) | | |
| 7 | 14 | | 71979-3007 | 71979-3107 | 71979-3207 | .958 (24.33) | .600 (15.24) | | |
| 8 | 16 | | 71979-3008 | 71979-3108 | 71979-3208 | 1.058 (26.87) | .700 (17.78) | | |
| 9 | 18 | | 71979-3009 | 71979-3109 | 71979-3209 | 1.158 (29.41) | .800 (20.32) | | |
| 10 | 20 | | 71979-3010 | 71979-3110 | 71979-3210 | 1.258 (31.95) | .900 (22.86) | | |
| 11 | 22 | | 71979-3011 | 71979-3111 | 71979-3211 | 1.358 (34.49) | 1.000 (25.40) | | |
| 12 | 24 | | 71979-3012 | 71979-3112 | 71979-3212 | 1.458 (37.03) | 1.100 (27.94) | | |
| 13 | 26 | | 71979-3013 | 71979-3113 | 71979-3213 | 1.558 (39.57) | 1.200 (30.48) | | |
| 14 | 28 | | 71979-3014 | 71979-3114 | 71979-3214 | 1.658 (42.11) | 1.300 (33.02) | | |
| 15 | 30 | | 71979-3015 | 71979-3115 | 71979-3215 | 1.758 (44.65) | 1.400 (35.56) | | |
| 16 | 32 | | 71979-3016 | 71979-3116 | 71979-3216 | 1.858 (47.19) | 1.500 (38.10) | | |
| 17 | 34 | | 71979-3017 | 71979-3117 | 71979-3217 | 1.958 (49.73) | 1.600 (40.64) | | |
| 18 | 36 | | 71979-3018 | 71979-3118 | 71979-3218 | 2.058 (52.27) | 1.700 (43.18) | | |
| 19 | 38 | | 71979-3019 | 71979-3119 | 71979-3219 | 2.158 (54.81) | 1.800 (45.72) | | |
| 20 | 40 | | 71979-3020 | 71979-3120 | 71979-3220 | 2.258 (57.35) | 1.900 (48.26) | | |
| 21 | 42 | | 71979-3021 | 71979-3121 | 71979-3221 | 2.358 (59.89) | 2.000 (50.80) | | |
| 22 | 44 | | 71979-3022 | 71979-3122 | 71979-3222 | 2.458 (62.43) | 2.100 (53.34) | | |
| 23 | 46 | | 71979-3023 | 71979-3123 | 71979-3223 | 2.558 (64.97) | 2.200 (55.88) | | |
| 24 | 48 | | 71979-3024 | 71979-3124 | 71979-3224 | 2.658 (67.51) | 2.300 (58.42) | | |
| 25 | 50 | | 71979-3025 | 71979-3125 | 71979-3225 | 2.758 (70.05) | 2.400 (60.96) | | |
| 26 | 52 | | 71979-3026 | 71979-3126 | 71979-3226 | 2.858 (72.59) | 2.500 (63.50) | | |
| 27 | 54 | | 71979-3027 | 71979-3127 | 71979-3227 | 2.958 (75.13) | 2.600 (66.04) | | |
| 28 | 56 | | 71979-3028 | 71979-3128 | 71979-3228 | 3.058 (77.67) | 2.700 (68.58) | | |
| 29 | 58 | | 71979-3029 | 71979-3129 | 71979-3229 | 3.158 (80.21) | 2.800 (71.12) | | |
| 30 | 60 | | 71979-3030 | 71979-3130 | 71979-3230 | 3.258 (82.75) | 2.900 (73.66) | | |
| 31 | 62 | | 71979-3031 | 71979-3131 | 71979-3231 | 3.358 (85.29) | 3.000 (76.20) | | |
| 32 | 64 | | 71979-3032 | 71979-3132 | 71979-3232 | 3.458 (87.83) | 3.100 (78.74) | | |
| 33 | 66 | | 71979-3033 | 71979-3133 | 71979-3233 | 3.558 (90.37) | 3.200 (81.28) | | |

| NO. OF CKTS | OPTION E ASSEMBLY PLATING PER ES-88-(****) (SEE SHEET 1 FOR PLATING SPECIFICATIONS) | | | | | | DIMENSION | | |
|-------------|---|-------|------------|------------|------------|------------------|------------------|--|--|
| | PER ROW | TOTAL | 15 GOLD | 30 GOLD | 50 GOLD | A | B | | |
| | | | | | | | | | |
| 34 | 68 | | 71979-3034 | 71979-3134 | 71979-3234 | 3.658 (92.91) | 3.300 (83.82) | | |
| 35 | 70 | | 71979-3035 | 71979-3135 | 71979-3235 | 3.758 (95.45) | 3.400 (86.36) | | |
| 36 | 72 | | 71979-3036 | 71979-3136 | 71979-3236 | 3.858 (97.99) | 3.500 (88.90) | | |

NOTE: ALL CONNECTORS ARE PACKAGED IN TUBES PER PK-70873-0139

"X" INDICATES TOOLING IS NOT AVAILABLE.

REVISED
EC NO: S2009-0814
2009/09/01
DRWN:SKANG
CHKD:ATSEE
2009/09/04
APPR:MLONG
2009/09/05

QUALITY SYMBOLS
▽=0
◁=0

GENERAL TOLERANCES (UNLESS SPECIFIED)

| | mm | INCH |
|----------------|--------|-------|
| 4 PLACES | ± --- | ± --- |
| 3 PLACES | ± --- | ± --- |
| 2 PLACES | ± --- | ± .01 |
| 1 PLACE | ± 0.25 | ± --- |
| ANGULAR ± 1/2° | | |

DRAFT WHERE APPLICABLE
MUST REMAIN
WITHIN DIMENSIONS

DIMENSION STYLE
IN/MM

DRAWN BY: DJB
DATE: 1995/03/15

CHECKED BY: DJB
DATE: 1995/03/15

APPROVED BY: DJB
DATE: 1995/03/15

MATERIAL NO.
SEE TABLE

SIZE
A3

SCALE
NTS

DESIGN UNITS
INCH

THIRD ANGLE PROJECTION

TITLE
SMT RECEPTACLE
RIGHT ANGLE, DUAL ROW
WITH AND WITHOUT PEG

MOLEX INCORPORATED

DOCUMENT NO.
SDA-71979-****

SHEET NO.
11 OF 12

THIS DRAWING CONTAINS INFORMATION THAT IS PROPRIETARY TO MOLEX INCORPORATED AND SHOULD NOT BE USED WITHOUT WRITTEN PERMISSION

| 10 | | 9 | | 8 | | 7 | | 6 | | 5 | | 4 | | 3 | | 2 | | 1 | | | | | |
|-------------|-------|--|------------|------------|------------------|------------------|------------------|-----------|----|------------|------------|-------------|------------------|--|------------------|---|---------|---|---|-----------|---|--|--|
| NO. OF CKTS | | OPTION F ASSEMBLY PLATING PER ES-88-(***) (SEE SHEET 1 FOR PLATING SPECIFICATIONS) | | | | | | DIMENSION | | | | NO. OF CKTS | | OPTION F ASSEMBLY PLATING PER ES-88-(***) (SEE SHEET 1 FOR PLATING SPECIFICATIONS) | | | | | | DIMENSION | | | |
| PER ROW | TOTAL | 15 GOLD | | 30 GOLD | | 50 GOLD | | A | B | C | PER ROW | TOTAL | 15 GOLD | | 30 GOLD | | 50 GOLD | | A | B | C | | |
| 4 | 8 | 71979-3404 | 71979-3504 | 71979-3604 | .658 (16.71) | .300 (7.62) | .200 (5.08) | 34 | 68 | 71979-3434 | 71979-3534 | 71979-3634 | 3.658 (92.91) | 3.300 (83.82) | 3.200 (81.28) | | | | | | | | |
| 5 | 10 | 71979-3405 | 71979-3505 | 71979-3605 | .758 (19.25) | .400 (10.16) | .300 (7.62) | 35 | 70 | 71979-3435 | 71979-3535 | 71979-3635 | 3.758 (95.45) | 3.400 (86.36) | 3.300 (83.82) | | | | | | | | |
| 6 | 12 | 71979-3406 | 71979-3506 | 71979-3606 | .858 (21.79) | .500 (12.70) | .400 (10.16) | 36 | 72 | 71979-3436 | 71979-3536 | 71979-3636 | 3.858 (97.99) | 3.500 (88.90) | 3.400 (86.36) | | | | | | | | |
| 7 | 14 | 71979-3407 | 71979-3507 | 71979-3607 | .958 (24.33) | .600 (15.24) | .500 (12.70) | | | | | | | | | | | | | | | | |
| 8 | 16 | 71979-3408 | 71979-3508 | 71979-3608 | 1.058 (26.87) | .700 (17.78) | .600 (15.24) | | | | | | | | | | | | | | | | |
| 9 | 18 | 71979-3409 | 71979-3509 | 71979-3609 | 1.158 (29.41) | .800 (20.32) | .700 (17.78) | | | | | | | | | | | | | | | | |
| 10 | 20 | 71979-3410 | 71979-3510 | 71979-3610 | 1.258 (31.95) | .900 (22.86) | .800 (20.32) | | | | | | | | | | | | | | | | |
| 11 | 22 | 71979-3411 | 71979-3511 | 71979-3611 | 1.358 (34.49) | 1.000 (25.40) | .900 (22.86) | | | | | | | | | | | | | | | | |
| 12 | 24 | 71979-3412 | 71979-3512 | 71979-3612 | 1.458 (37.03) | 1.100 (27.94) | 1.000 (25.40) | | | | | | | | | | | | | | | | |
| 13 | 26 | 71979-3413 | 71979-3513 | 71979-3613 | 1.558 (39.57) | 1.200 (30.48) | 1.100 (27.94) | | | | | | | | | | | | | | | | |
| 14 | 28 | 71979-3414 | 71979-3514 | 71979-3614 | 1.658 (42.11) | 1.300 (33.02) | 1.200 (30.48) | | | | | | | | | | | | | | | | |
| 15 | 30 | 71979-3415 | 71979-3515 | 71979-3615 | 1.758 (44.65) | 1.400 (35.56) | 1.300 (33.02) | | | | | | | | | | | | | | | | |
| 16 | 32 | 71979-3416 | 71979-3516 | 71979-3616 | 1.858 (47.19) | 1.500 (38.10) | 1.400 (35.56) | | | | | | | | | | | | | | | | |
| 17 | 34 | 71979-3417 | 71979-3517 | 71979-3617 | 1.958 (49.73) | 1.600 (40.64) | 1.500 (38.10) | | | | | | | | | | | | | | | | |
| 18 | 36 | 71979-3418 | 71979-3518 | 71979-3618 | 2.058 (52.27) | 1.700 (43.18) | 1.600 (40.64) | | | | | | | | | | | | | | | | |
| 19 | 38 | 71979-3419 | 71979-3519 | 71979-3619 | 2.158 (54.81) | 1.800 (45.72) | 1.700 (43.18) | | | | | | | | | | | | | | | | |
| 20 | 40 | 71979-3420 | 71979-3520 | 71979-3620 | 2.258 (57.35) | 1.900 (48.26) | 1.800 (45.72) | | | | | | | | | | | | | | | | |
| 21 | 42 | 71979-3421 | 71979-3521 | 71979-3621 | 2.358 (59.89) | 2.000 (50.80) | 1.900 (48.26) | | | | | | | | | | | | | | | | |
| 22 | 44 | 71979-3422 | 71979-3522 | 71979-3622 | 2.458 (62.43) | 2.100 (53.34) | 2.000 (50.80) | | | | | | | | | | | | | | | | |
| 23 | 46 | 71979-3423 | 71979-3523 | 71979-3623 | 2.558 (64.97) | 2.200 (55.88) | 2.100 (53.34) | | | | | | | | | | | | | | | | |
| 24 | 48 | 71979-3424 | 71979-3524 | 71979-3624 | 2.658 (67.51) | 2.300 (58.42) | 2.200 (55.88) | | | | | | | | | | | | | | | | |
| 25 | 50 | 71979-3425 | 71979-3525 | 71979-3625 | 2.758 (70.05) | 2.400 (60.96) | 2.300 (58.42) | | | | | | | | | | | | | | | | |
| 26 | 52 | 71979-3426 | 71979-3526 | 71979-3626 | 2.858 (72.59) | 2.500 (63.50) | 2.400 (60.96) | | | | | | | | | | | | | | | | |
| 27 | 54 | 71979-3427 | 71979-3527 | 71979-3627 | 2.958 (75.13) | 2.600 (66.04) | 2.500 (63.50) | | | | | | | | | | | | | | | | |
| 28 | 56 | 71979-3428 | 71979-3528 | 71979-3628 | 3.058 (77.67) | 2.700 (68.58) | 2.600 (66.04) | | | | | | | | | | | | | | | | |
| 29 | 58 | 71979-3429 | 71979-3529 | 71979-3629 | 3.158 (80.21) | 2.800 (71.12) | 2.700 (68.58) | | | | | | | | | | | | | | | | |
| 30 | 60 | 71979-3430 | 71979-3530 | 71979-3630 | 3.258 (82.75) | 2.900 (73.66) | 2.800 (71.12) | | | | | | | | | | | | | | | | |
| 31 | 62 | 71979-3431 | 71979-3531 | 71979-3631 | 3.358 (85.29) | 3.000 (76.20) | 2.900 (73.66) | | | | | | | | | | | | | | | | |
| 32 | 64 | 71979-3432 | 71979-3532 | 71979-3632 | 3.458 (87.83) | 3.100 (78.74) | 3.000 (76.20) | | | | | | | | | | | | | | | | |
| 33 | 66 | 71979-3433 | 71979-3533 | 71979-3633 | 3.558 (90.37) | 3.200 (81.28) | 3.100 (78.74) | | | | | | | | | | | | | | | | |

NOTE: ALL CONNECTORS ARE PACKAGED IN TUBES PER PK-70873-0139

"X" INDICATES TOOLING IS NOT AVAILABLE.

| | | | | | | |
|---|--|---------------------------------------|---------------------------|---|---------------------------------|---|
| REVISED EC NO: S2009-0814 DRWN:SKANG CHKD:ATSEE APPR:MLONG 2009/09/01 2009/09/04 2009/09/05 | QUALITY SYMBOLS | GENERAL TOLERANCES (UNLESS SPECIFIED) | DIMENSION STYLE | SCALE | DESIGN UNITS | THIRD ANGLE PROJECTION |
| | ▽=0 | mm INCH | IN/MM | NTS | INCH | |
| | ∇=0 | 4 PLACES ± --- ± --- | DRAWN BY DATE | | | TITLE |
| | | 3 PLACES ± --- ± --- | DJB 1995/03/15 | CHECKED BY DATE | | SMT RECEPTACLE RIGHT ANGLE, DUAL ROW WITH AND WITHOUT PEG |
| | 2 PLACES ± --- ± .01 | DJB 1995/03/15 | APPROVED BY DATE | | molex MOLEX INCORPORATED | |
| | 1 PLACE ± 0.25 ± --- | DJB 1995/03/15 | MATERIAL NO. DOCUMENT NO. | | SDA-71979-**** | |
| | ANGULAR ± 1/2° | | SEE TABLE | | 12 OF 12 | |
| | DRAFT WHERE APPLICABLE MUST REMAIN WITHIN DIMENSIONS | | SIZE A3 | THIS DRAWING CONTAINS INFORMATION THAT IS PROPRIETARY TO MOLEX INCORPORATED AND SHOULD NOT BE USED WITHOUT WRITTEN PERMISSION | | |