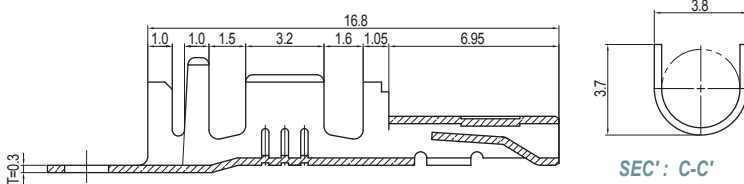
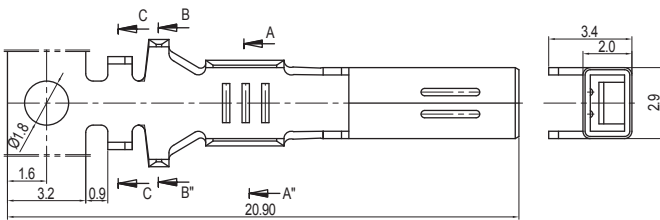
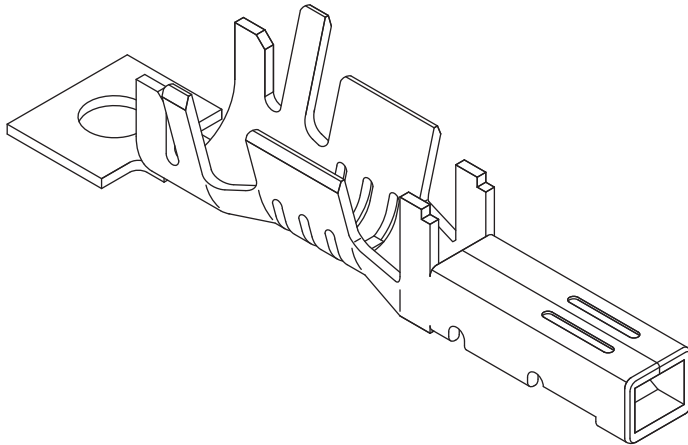


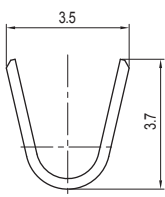
6.00mm (0.263") PITCH CONNECTOR

Wire-to-Board
Crimp Terminal

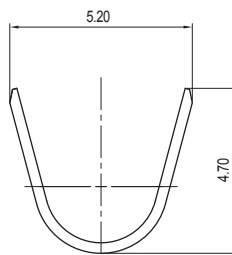
SMT603B-L



SEC': C-C'



SEC A-A'



SEC B-B'

Material

I/NO	DESCRIPTION	TITLE	AWG	MATERIAL	FINISH
1	TERMINAL	SMT603B-L	#14~#18	Phosphor Bronze	Tin-Plated

Specification

ITEM	SPEC
Voltage Rating	AC/DC 250V
Current Rating	AC/DC 15A
Operating Temperature	-25°C~+85°C
Contact Resistance	30mΩ MAX
Withstanding Voltage	AC1500V/1min
Insulation Resistance	1000MΩ MIN
Applicable Wire	AWG #14~#22
Applicable P.C.B	1.2~1.6mm
Applicable FPC/FFC	-
Solder Height	-
Crimp Tensile Strength	L-TYPE : AWG #14~#18
UL FILE NO	-