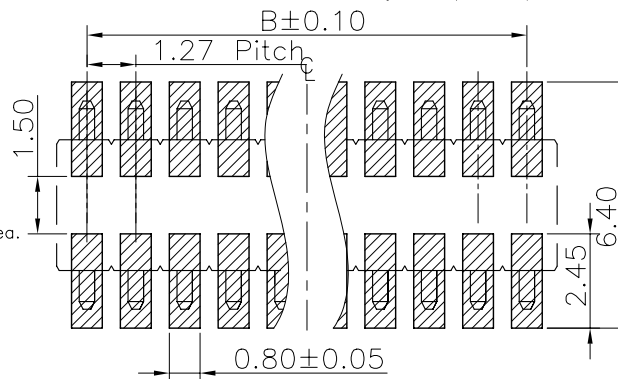
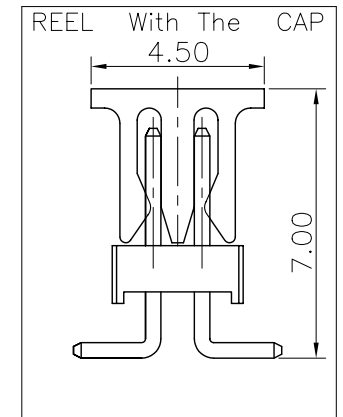
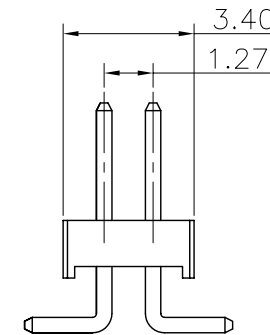
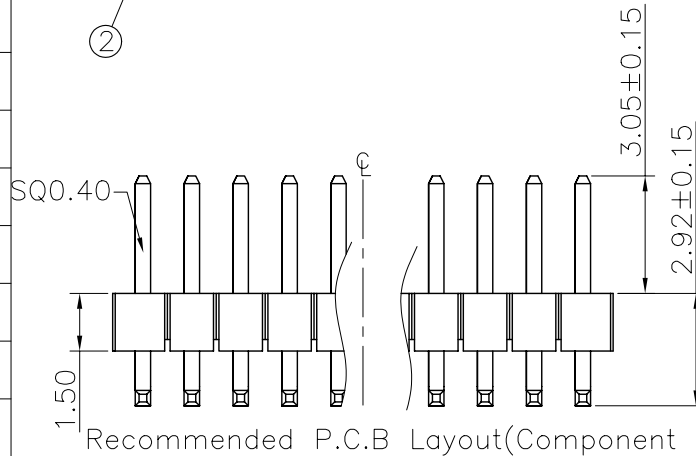
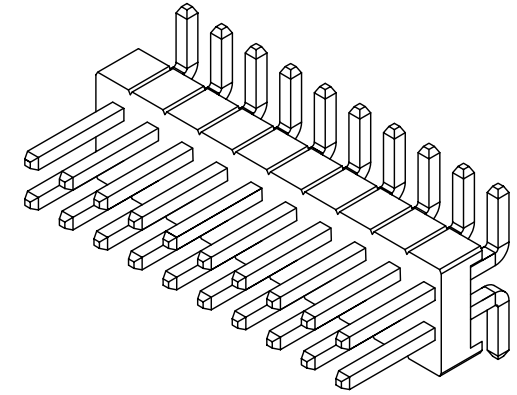
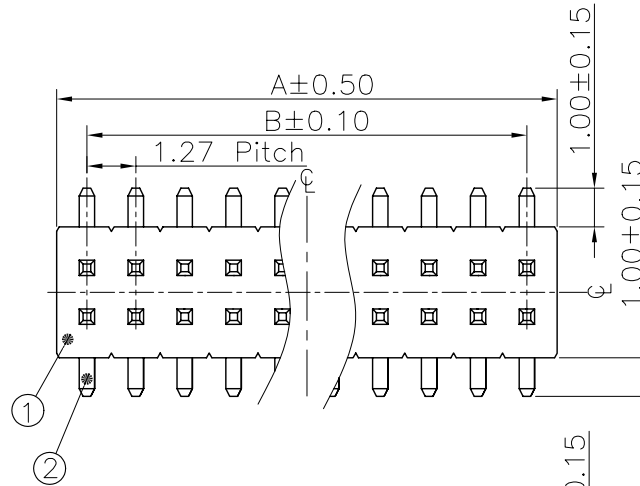


Dimensional information

SYIN P/NO.	PIN	DIM.A	DIM.B
NOT RELEASE	06	4.11	2.54
NOT RELEASE	10	6.65	5.08
NOT RELEASE	16	10.46	8.89
127193MA020H312ZR	20	13.00	11.43
NOT RELEASE	26	16.81	15.24
NOT RELEASE	28	18.08	16.51
NOT RELEASE	30	19.35	17.78
NOT RELEASE	40	25.70	24.13
NOT RELEASE	50	32.05	30.48
NOT RELEASE	60	38.40	36.83
NOT RELEASE	70	44.75	43.18
NOT RELEASE	80	51.10	49.53
NOT RELEASE	90	57.45	55.88
NOT RELEASE	100	63.80	62.23



NOTE:127193MAXXX□12ZR

1.Selective plating

- H1: 5 u" min. Gold in contact area/.100 u" min Tin in solder area.
- H2: 1 u" min. Gold flash in contact area/. 100 u" min Tin in solder area.
- H3: 10 u" min. Gold in contact area/.100 u" min Tin in solder area.
- H4: 15 u" min. Gold in contact area/.100 u" min Tin in solder area.
- H5: 30 u" min. Gold in contact area/.100 u" min Tin in solder area.
- H6: 50 u" min. Gold in contact area/.100 u" min Tin in solder area.

NO.	DESCRIPTION	MATERIAL	COLOR	REMARK
2	Terminal	Brass	—	Gold plated
1	Housing	High Temp	Black	UL94V-0

SUYIN
CONNECTOR

CUSTOMER COPY TITLE: 1.27mm Pin Header Dual Row Type

PART NO. 127193MAXXXHX12ZR

PART NO. (OLD)

DRAWING NO. 127193MAXXXHX12ZR

SCALE 5:1 UNIT mm A4

ECN (DCN) NO.	REV	DATE	DESCRIPTION	CHANGE	APPRO.	GENERAL TOLERANCE UNLESS OTHERWISE NOTED
0			NEW			Angle ±2° 30 ~ ±0.50 10 ~ 30 ±0.30 ~ 10 ±0.15

DRAW	DESIGN	CHECK	APPRO.