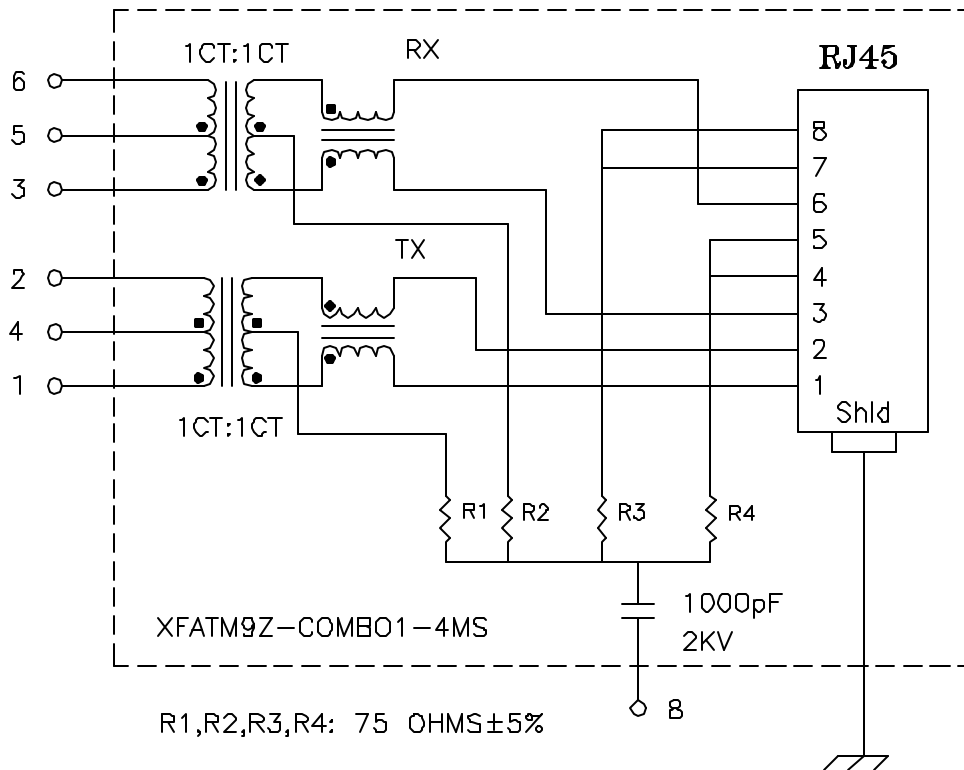


## 1. Schematic:



## 2. Electrical Specifications: @25°C

Isolation Voltage: 1500 Vrms (Input to Output)

Isolation Voltage: 500 Vrms (P1+2+4 to P3+5+6)

Turns Ratio: TX 1CT:1CT ±3% RX 1CT:1CT ±3%

CABLE SIDE OCL: 350uH Minimum @100KHz 100mV 8mADC

Cw/w: 27pF Typical @100KHz 100mV

Insertion Loss {300KHz-100MHz}: -1.0dB Maximum

Return Loss: @30MHz -18dB Minimum

@80MHz -12dB Minimum

Crosstalk: @1-30MHz @30-60MHz @60-100MHz

-40dB Min -35dB Min -30dB Min

CMR: @1-50MHz @50-150MHz

-30dB Typ -20dB Typ

### Notes:

1. Solderability: Leads shall meet MIL-STD-202, Method 200D for solderability.
2. Flammability: UL94V-0
3. ASTM oxygen index: > 28%
4. Insulation System Class F 155°C UL file E151556
5. Operating Temperature Range All listed parameters are to be within tolerance from -40°C to +85°C
6. Storage Temperature Range -55°C to +125°C
7. Aqueous wash compatible

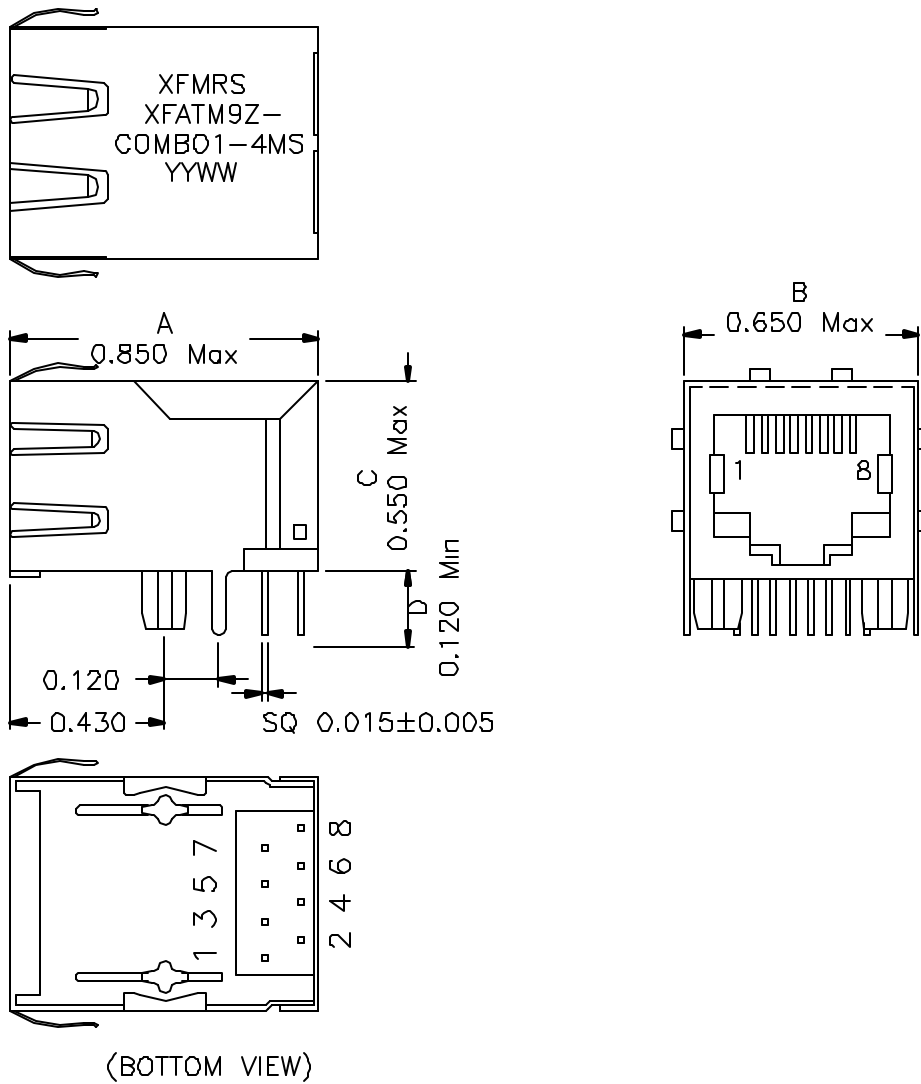
DOC. REV: A/4

<b>XFMR'S Inc.</b>	Title. <b>SINGLE PORT COMBO</b>			
UNLESS OTHERWISE SPECIFIED	P/N: XFATM9Z-COMBO1-4MS	REV. A		
TOLERANCES: .xxx ±0.010	DWN.	罗振江	Jan-29-04	
Dimensions in Inch	CHK.	廖玉坤	Jan-29-04	
SHEET 1 OF 2	APP	MS	Jan-29-04	

**PROPRIETARY:**

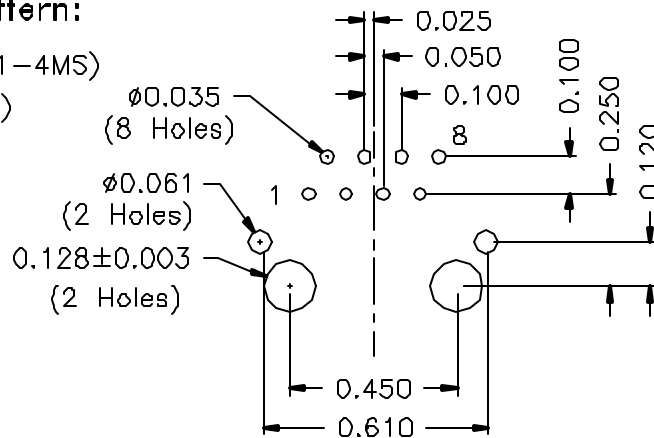
Document is the property of XFMR'S Group & is not allowed to be duplicated without authorization.

# Mechanical Dimensions:



## Mounting Pattern:

(FOR COMBO1-4MS)  
(COMP SIDE)



DOC REV: A/4

**XFMR5 Inc.**

Title: Mechanical Dimensions  
For COMBO1-4MS Series

UNLESS OTHERWISE SPECIFIED  
TOLERANCES:  
.xxx ±0.010  
Dimensions in Inch

P/N: XFATM9Z-COMBO1-4MS

REV. A

DWN.

罗振江

Jan-29-04

CHK.

廖玉坤

Jan-29-04

APP.

MS

Jan-29-04

SHEET 2 OF 2

**PROPRIETARY:**

Document is the property of XFMR5 Group & is not allowed to be duplicated without authorization.