

PLEASE CHECK WWW.MOLEX.COM FOR LATEST PART INFORMATION

Part Number: [0743232131](#)
Status: **Active**
Description: MicroCross™ DVI-I Integrated Digital/Analog Single Channel High Volume Plug Connector Sub-assembly, for PCB Mount, Vertical, Gold (Au) Flash, 23 Circuits, Lead Free

Documents:

[Drawing \(PDF\)](#) [RoHS Certificate of Compliance \(PDF\)](#)
[Product Specification PS-74320-001 \(PDF\)](#)

Agency Certification

CSA LR19980
 UL E29179

General

Product Family I/O Connectors
 Series [74323](#)
 Application Wire-to-Board
 Comments DDWG (Digital Display Working Group) Standard
 Component Type I/O Plug Connector Subassembly
 Product Name MicroCross™DVI
 Type N/A

Physical

Boot Color N/A
 Circuits (Loaded) 23
 Circuits (maximum) 29
 Circuits Detail Circuits 1-3,6-8,9-11,14-16,17-19,22-24; C1-C5 are loaded
 Color - Resin Black
 Durability (mating cycles max) 100
 Flammability 94V-0
 Keying to Mating Part Yes
 Lock to Mating Part Yes
 Material - Metal Copper Alloy
 Material - Plating Mating Gold
 Material - Plating Termination Tin
 Material - Resin High Temperature Thermoplastic
 Number of Rows 3
 Orientation Vertical
 PCB Retention None
 Packaging Type Tray
 Panel Mount N/A
 Pitch - Mating Interface (in) 0.075 In, 0.100 In
 Pitch - Mating Interface (mm) 1.90 mm, 2.54 mm
 Pitch - Term. Interface (in) 0.075 In, 0.100 In
 Pitch - Term. Interface (mm) 1.90 mm, 2.54 mm
 Plating min: Mating (µin) 10
 Plating min: Mating (µm) 0.25
 Plating min: Termination (µin) 150
 Plating min: Termination (µm) 3.80
 Polarized to Mating Part Yes
 Polarized to PCB Yes
 Ports 1
 Temperature Range - Operating -20°C to +85°C
 Termination Interface: Style Solder or Weld

EU RoHS

ELV and RoHS Compliant
REACH SVHC
 Not Reviewed
Halogen-Free Status

China RoHS



Not Halogen-Free

Need more information on product environmental compliance?

Email productcompliance@molex.com
 For a multiple part number RoHS Certificate of Compliance, [click here](#)

Please visit the [Contact Us](#) section for any non-product compliance questions.

Search Parts in this Series

[74323Series](#)

Mates With

Other receptacle components, [74320 DVI Receptacle](#), [67351 DVI Receptacle](#)

Waterproof / Dustproof	No
Wire Size AWG	N/A
Electrical	
Current - Maximum per Contact	3A
Grounding to Panel	Yes
Shield Type	Full Shield
Shielded	Yes
Voltage - Maximum	40V AC (RMS)

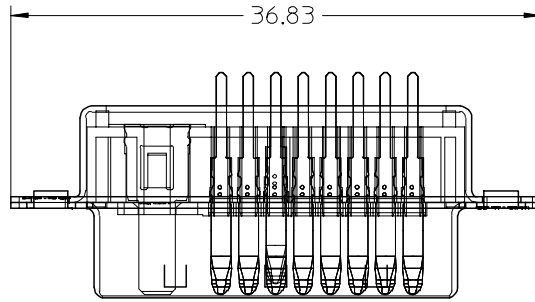
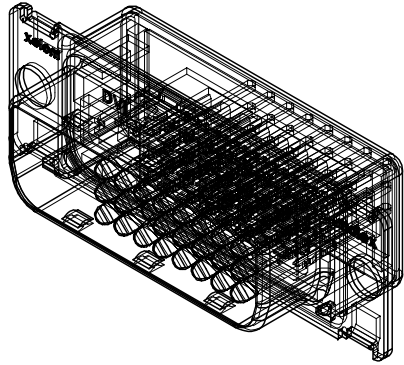
Material Info

Reference - Drawing Numbers

Product Specification	PS-74320-001
Sales Drawing	SD-74323-005

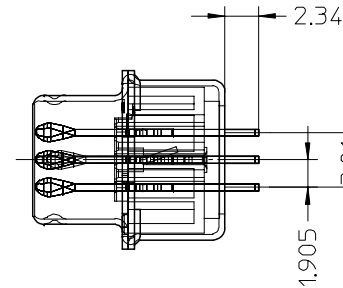
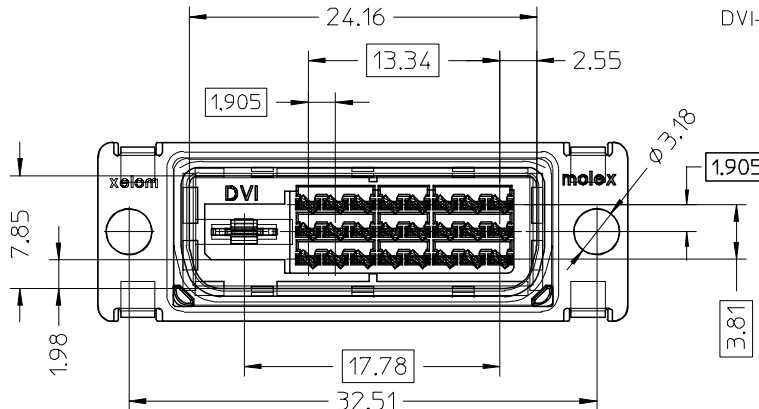
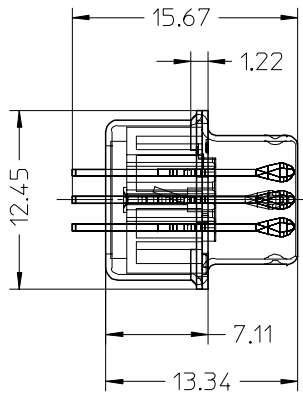
This document was generated on 04/07/2010

PLEASE CHECK WWW.MOLEX.COM FOR LATEST PART INFORMATION



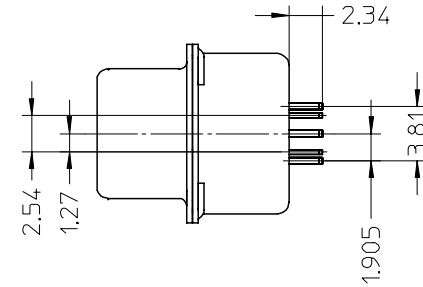
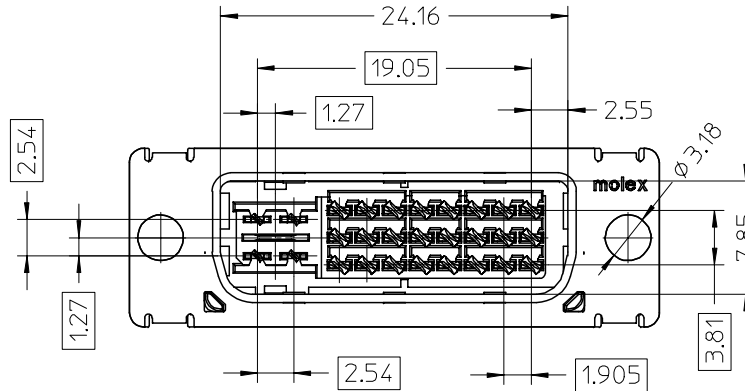
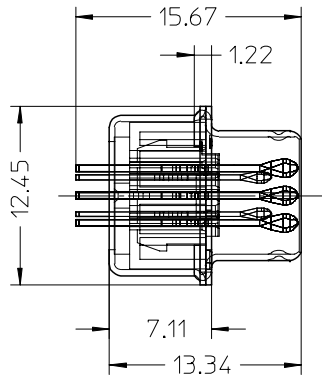
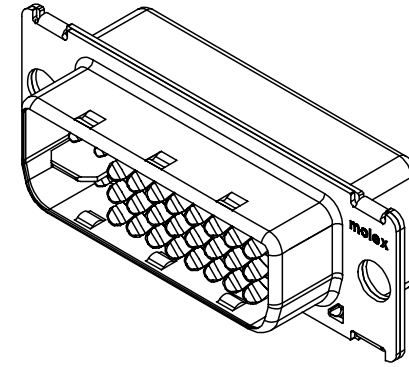
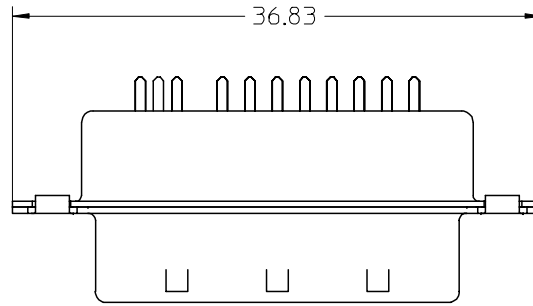
NOTES:

- 1.MATERIALS: HOUSING: HIGH TEMPERATURE PLASTIC
UL 94V-0, COLOR: BLACK
TERMINAL: COPPER ALLOY
SHIELD: STEEL ALLOY
- 2.FINISH: TERMINAL: SEE THE CHART FOR GOLD PLATING OVER 1.27 MICROMETER (50u") NICKEL IN CONTACT AREA AND 3.81 MICROMETER (150u") PURE TIN OVER 1.27 MICROMETER (50u") NICKEL AT SOLDERING AREA.
SHIELD: 3.81 MICROMETER (150u") BRIGHT TIN OVER 1.27 MICROMETER (50u") NICKEL OVERALL.
- 3.PRODUCT SPECIFICATION: PS-74320-001.
- 4.PACKAGING: PARTS ARE TO BE PACKAGED 40 PCS PER TRAY.
- 5.THE LOADED CIRCUITS SEE THE CHART.
- 6.THE DIMENSION SHOWN ON SHEET 1 REFLECT THE DVI-D SINGLE AND DUAL CHANNEL ASSEMBLY.
THE DIMENSION SHOWN ON SHEET 2 REFLECT THE DVI-A AND DVI-I ASSEMBLY. FOR ALL OTHER DIMENSIONS REFER TO SHEET 1.

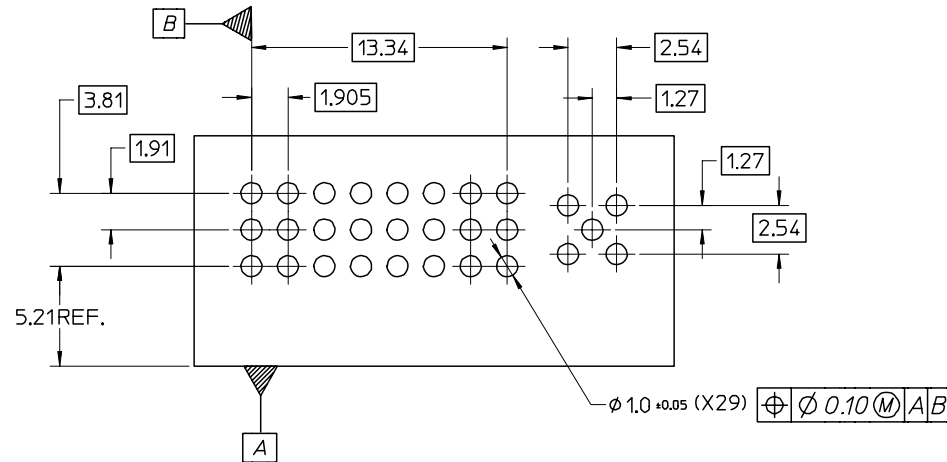


LEAD-FREE EC NO: SH2005-0067 DRWN:DXUE 2004/09/02 CHKD: 2004/09/03 APPR: YTYAP 2004/09/09	QUALITY SYMBOLS ▽ = 0 ▽ = 0	GENERAL TOLERANCES (UNLESS SPECIFIED)		SCALE 1:1	DESIGN UNITS INCH	THIRD ANGLE PROJECTION	REVISE ON CAD ONLY	
		4 PLACES ± --- ± ---	3 PLACES ± --- ± ---	DIMENSION STYLE MM ONLY		TITLE HIGH VOLUME DVI PLUG CONNECTOR FOR PCB MOUNT		
		2 PLACES ± 0.25 ± ---	1 PLACE ± 0.25 ± ---	DRAWN BY JCHIANG	DATE 00/05/12	MOLEX INCORPORATED		
		ANGULAR ± .5 °		CHECKED BY MLIN	DATE 00/05/12	MATERIAL NO. SEE TABLE	DOCUMENT NO. SD-74323-005	SHEET NO. 1 OF 3
DRAFT WHERE APPLICABLE		MUST REMAIN WITHIN DIMENSIONS		THIS DRAWING CONTAINS INFORMATION THAT IS PROPRIETARY TO MOLEX INCORPORATED AND SHOULD NOT BE USED WITHOUT WRITTEN PERMISSION				

PART NO.	DESCRIPTION	LOAD CIRCUIT REF
74323-2101	DVI-D Au FLASH SINGLE CHANNEL	1-3,6-8,9-11,14-16,17-19,22-24 WITH KEY
74323-2102	DVI-D 30 u" Au SINGLE CHANNEL	1-3,6-8,9-11,14-16,17-19,22-24 WITH KEY
74323-2103	DVI-D Au FLASH DUAL CHANNEL	1-24, WITH KEY
74323-2104	DVI-D 30 u" Au DUAL CHANNEL	1-24, WITH KEY
74323-2111	DVI-A Au FLASH	1-2,6-8,14-16,17-18,23-24 C1-C5
74323-2112	DVI-A 30 u" Au	1-2,6-8,14-16,17-18,23-24 C1-C5
74323-2131	DVI-I Au FLASH SINGLE CHANNEL	1-3,6-8,9-11,14-16,17-19,22-24 C1-C5
74323-2132	DVI-I 30 u" Au SINGLE CHANNEL	1-3,6-8,9-11,14-16,17-19,22-24 C1-C5
74323-2133	DVI-I Au FLASH DUAL CHANNEL	1-24,C1-C5
74323-2134	DVI-I 30 u" Au DUAL CHANNEL	1-24,C1-C5



LEAD-FREE EC NO: SH2005-0067 DRWN:DXUE 2004/09/02 CHKD: 2004/09/03 APPR: YTYAP 2004/09/09	QUALITY SYMBOLS ▽ = 0 ▽ = 0	GENERAL TOLERANCES (UNLESS SPECIFIED)		SCALE 1:1	DESIGN UNITS INCH	THIRD ANGLE PROJECTION	REVISE ON CAD ONLY
		4 PLACES ± --- ± --- 3 PLACES ± --- ± --- 2 PLACES ± 0.25 ± --- 1 PLACE ± 0.25 ± ---	DIMENSION STYLE MM ONLY	TITLE HIGH VOLUME DVI PLUG CONNECTOR FOR PCB MOUNT			
		ANGULAR ± .5 ° DRAFT WHERE APPLICABLE MUST REMAIN WITHIN DIMENSIONS	DRAWN BY JCHIANG	DATE 00/05/12	MOLEX INCORPORATED		
		APPROVED BY MLIN	DATE 00/05/12	MATERIAL NO. SEE TABLE	DOCUMENT NO. SD-74323-005	SHEET NO. 2 OF 3	



RECOMMENDED PCB LAYOUT ,PCB THICKNESS :1.60 MM

LEAD-FREE EC NO: SH2005-0067 DRWN:DXUE 2004/09/02 CHKD: 2004/09/03 APPR: YTYAP 2004/09/09	QUALITY SYMBOLS ▽ = 0 ▽ = 0	GENERAL TOLERANCES (UNLESS SPECIFIED)		SCALE 4:1	DESIGN UNITS INCH	THIRD ANGLE PROJECTION	REVISE ON CAD ONLY		
		4 PLACES ± --- ± --- 3 PLACES ± --- ± --- 2 PLACES ± 0.25 ± --- 1 PLACE ± 0.25 ± ---	DIMENSION STYLE MM ONLY	TITLE HIGH VOLUME DVI PLUG CONNECTOR FOR PCB MOUNT					
		ANGULAR ± .5 ° DRAFT WHERE APPLICABLE MUST REMAIN WITHIN DIMENSIONS	DRAWN BY JCHIANG	DATE 00/05/12	CHECKED BY MLIN	DATE 00/05/12	MATERIAL NO. SEE TABLE	DOCUMENT NO. SD-74323-005	SHEET NO. 3 OF 3
		THIS DRAWING CONTAINS INFORMATION THAT IS PROPRIETARY TO MOLEX INCORPORATED AND SHOULD NOT BE USED WITHOUT WRITTEN PERMISSION							B