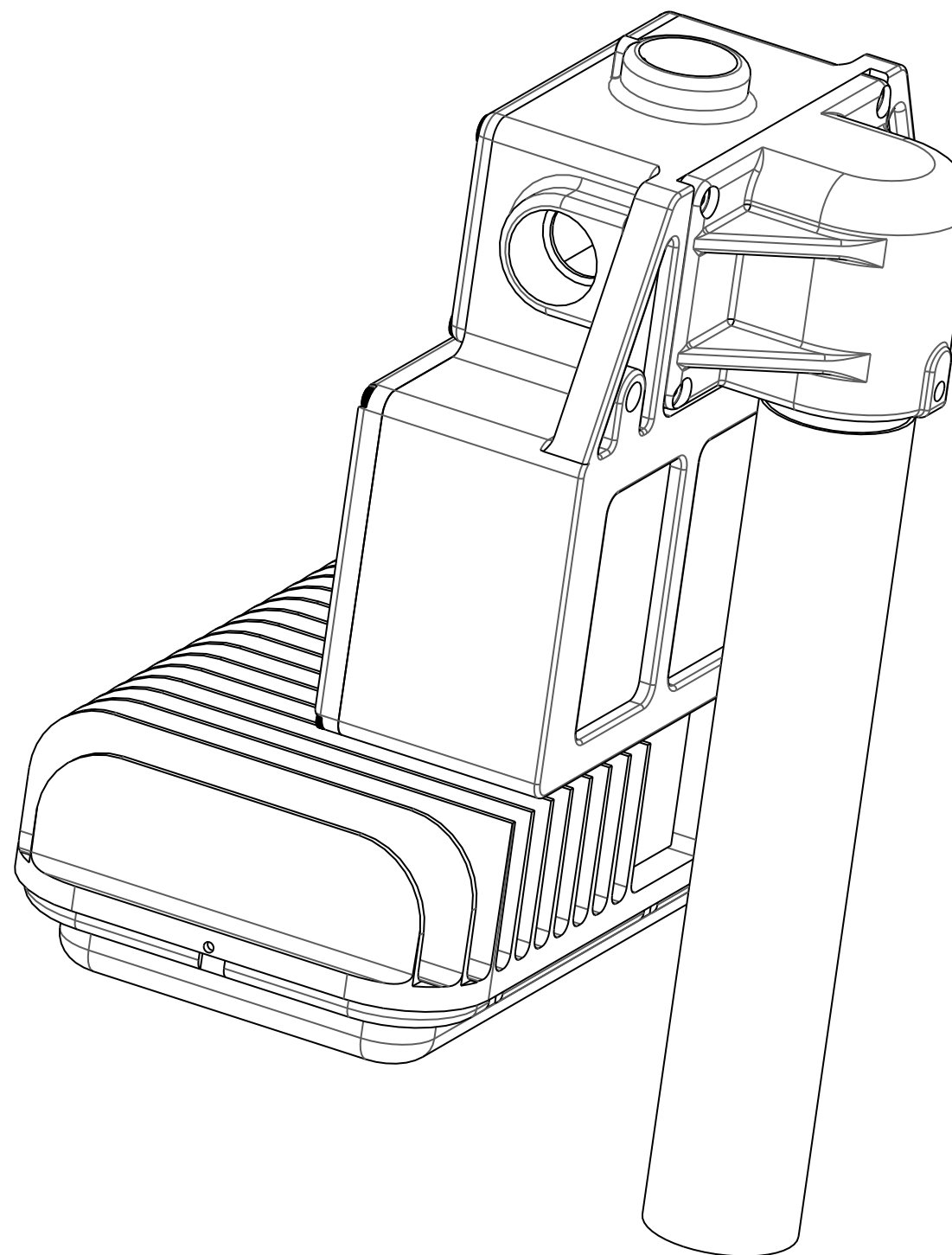
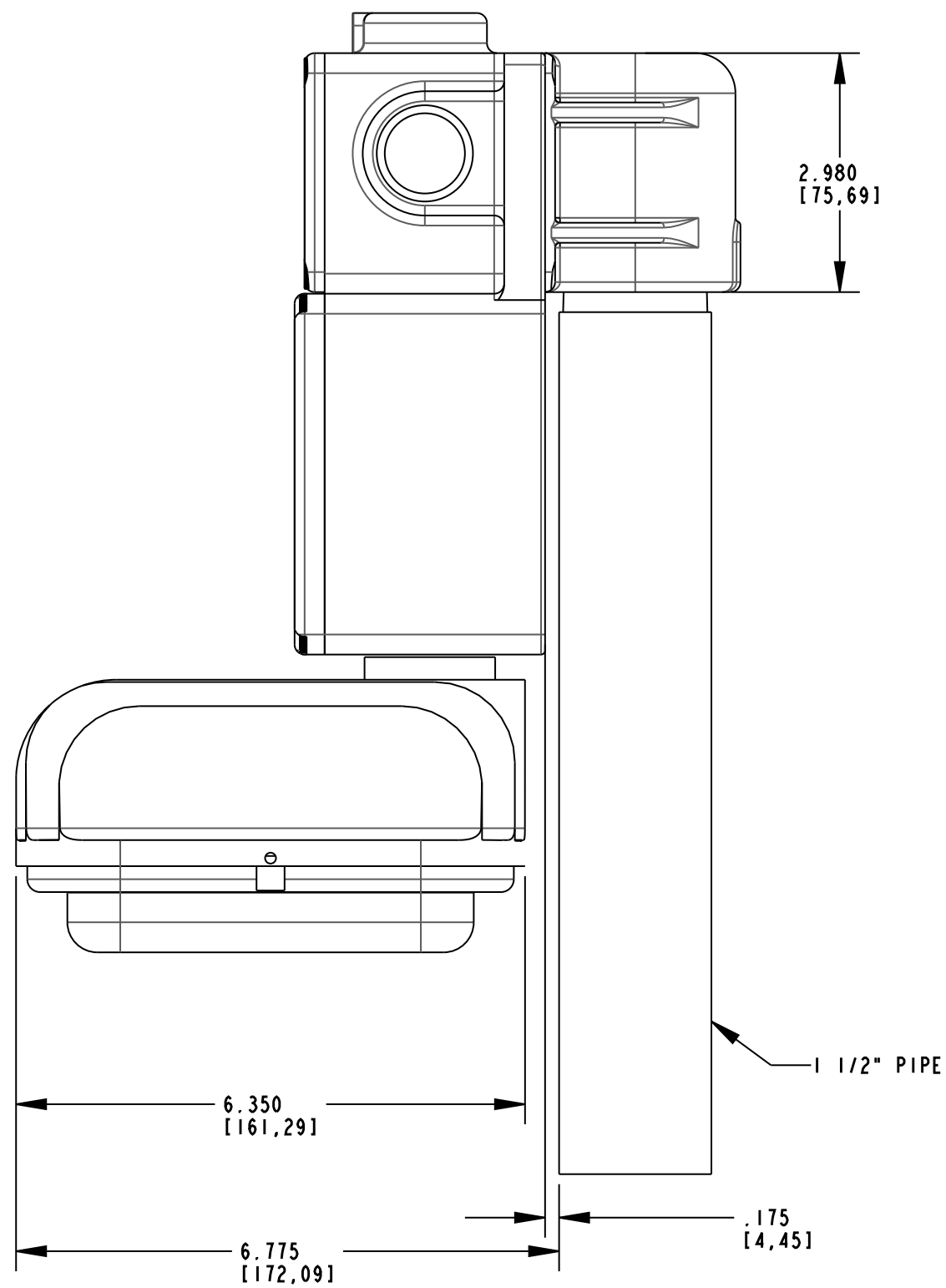
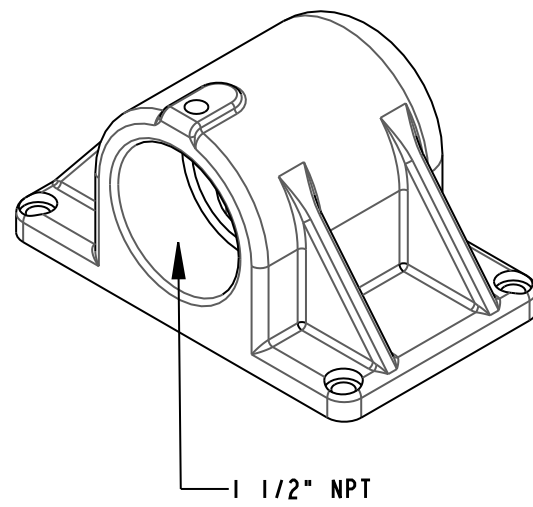
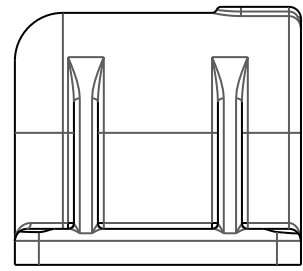
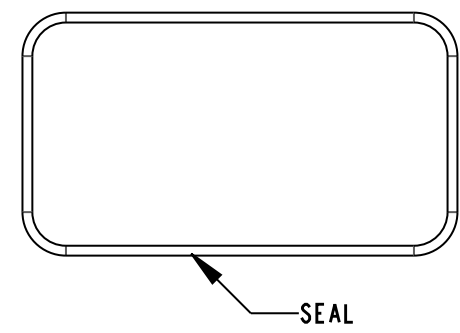


HZC-3000 STANCHION MOUNT KIT

KIT CONTAINS:
 (1) SINGLE STANCHION BRACKET ASSEMBLY
 (1) O-RING



| REV | ECN NO | REVISIONS | DRN | CKD | APP | QA | CM | DATE |
|-----|--------|-------------|-----|-----|-----|----|----|------|
| A | | NEW RELEASE | | | | | | |

THIS DRAWING AND THE CONTENTS HEREIN ARE CONFIDENTIAL AND THE SOLE PROPERTY OF DIALIGHT. REPRODUCTION OF THIS DRAWING OR CONSTRUCTION OF ANY PARTS WITHIN THIS DRAWING ARE FORBIDDEN WITHOUT THE WRITTEN CONSENT OF DIALIGHT.

| | | |
|--|-------------------------|----------------|
| SCALE: 0.200 | DRAWING NUMBER | REV |
| ALL DIM'S IN: INCHES (MM) | HZC - 3000 | A |
| TOLERANCES: UNLESS OTHERWISE SPECIFIED | TITLE | |
| FRACTIONS: ±1/64 | SWING BRACKET MOUNT KIT | |
| DECIMALS (.XX): ±.01 | MATERIAL | |
| DECIMALS (.XXX): ±.005 | - | |
| DECIMALS (.XXXX): ±.0005 | Dialight | |
| ANGLES: ±1° | 1501 ROUTE 34 SOUTH | |
| FINISH: | FARMINGDALE, NJ 07727 | |
| FSCM 83330 | SHEET 1 OF 1 | FAMILY TABLES: |

| ITEM | QTY | PART NUMBER | DESCRIPTION |
|------|-----|-----------------------|--------------------|
| 3 | 1 | STANCHION MOUNT | COVER, SPLICE BOX |
| 2 | 1 | HZC-XX-X-XXX-XXXX-XXX | SAFESITE DOWNLIGHT |
| 1 | 1 | - | PIPE |