

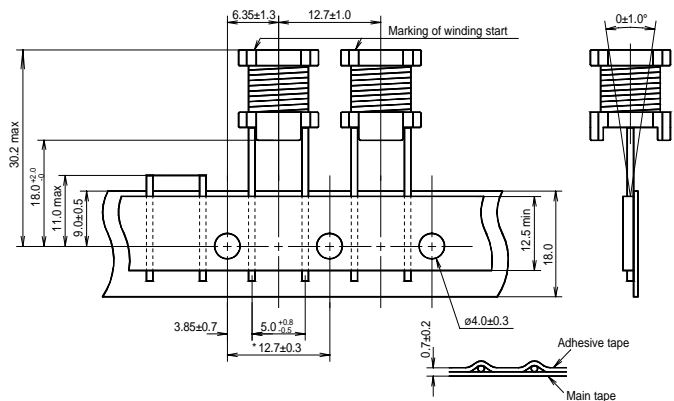
TYPE 8RYT

Frequency Range: 1~200kHz

Inductance Range: 1.2~1000μH

Features

- Ideal as a choke coil for noise filtering and DC/DC converter application.
- Tape and reel for automated assembly.



(Unit: mm)

Selection Guide for Standard Coils

TYPE 8RYT

TOKO Part Number	Inductance L (μH)	DC Resistance (Ω) max.	Rated DC Current (A) max.	Self-resonant Frequency (MHz) min.
A7017LYF-1R2M=R	1.2 ± 20%	0.016	3.71	150
A7017LYF-1R5M=R	1.5 ± 20%	0.018	3.32	130
A7017LYF-2R2M=R	2.2 ± 20%	0.021	3.15	100
A7017LYF-3R3M=R	3.3 ± 20%	0.025	2.66	79
A7017LYF-4R7M=R	4.7 ± 20%	0.030	2.27	51
A7017LYF-6R8M=R	6.8 ± 20%	0.035	2.10	29
A7017LYF-100K=R	10 ± 10%	0.045	1.96	14
A7017LYF-120K=R	12 ± 10%	0.050	1.82	13
A7017LYF-150K=R	15 ± 10%	0.056	1.75	12
A7017LYF-180K=R	18 ± 10%	0.061	1.54	11
A7017LYF-220K=R	22 ± 10%	0.07	1.29	9.2
A7017LYF-270K=R	27 ± 10%	0.08	1.22	8.5
A7017LYF-330K=R	33 ± 10%	0.09	1.17	7.8
A7017LYF-390K=R	39 ± 10%	0.10	1.14	6.9
A7017LYF-470K=R	47 ± 10%	0.17	0.79	6.5
A7017LYF-560K=R	56 ± 10%	0.20	0.76	5.4
A7017LYF-680K=R	68 ± 10%	0.22	0.70	4.9
A7017LYF-820K=R	82 ± 10%	0.25	0.67	4.1
A7017LYF-101K=R	100 ± 10%	0.28	0.58	3.7
A7017LYF-121K=R	120 ± 10%	0.32	0.56	3.4
A7017LYF-151K=R	150 ± 10%	0.54	0.42	3.2
A7017LYF-181K=R	180 ± 10%	0.60	0.40	2.8
A7017LYF-221K=R	220 ± 10%	0.68	0.38	2.7
A7017LYF-271K=R	270 ± 10%	0.80	0.35	2.4
A7017LYF-331K=R	330 ± 10%	0.90	0.33	2.3
A7017LYF-391K=R	390 ± 10%	1.20	0.28	2.1
A7017LYF-471K=R	470 ± 10%	1.37	0.25	1.9
A7017LYF-561K=R	560 ± 10%	1.53	0.23	1.8
A7017LYF-681K=R	680 ± 10%	2.00	0.21	1.6
A7017LYF-821K=R	820 ± 10%	2.70	0.18	1.5
A7017LYF-102K=R	1000 ± 10%	2.96	0.16	1.3

(1) Inductance is measured at f=1kHz, Vosc=1V on LCR meter HP4284A or equivalent.

(2) The rated DC current is that which the inductance value decreases 10% by the excitation of DC current.

(3) Self-resonant frequency is measured with Network Analyzer 3577A(HP), MS560J(Anritsu) or equivalent.

(4) DC resistance is measured with Digital Multimeter TR6871(Advantest) or equivalent.