

Triacs Modules Selector Table

Package	TO-220		TO-220F		TO-202	
$I_T(RMS)$ / $V_{DRM}(V)$	400	600	400	600	400	600
3					BCR3AM-8	BCR3AM-12
5	BCR5AM-8 BCR5AM-8L	BCR5AM-12 BCR5AM-12L	BCR5PM-8 BCR5PM-8L	BCR5PM-12 BCR5PM-12L		
6	BCR6AM-8 BCR6AM-8L	BCR6AM-12 BCR6AM-12L				
8	BCR8CM-8 BCR8CM-8L	BCR8CM-12 BCR8CM-12L	BCR8PM-8 BCR8PM-8L	BCR8PM-12 BCR8PM-12L		
10	BCR10CM-8 BCR10CM-8L	BCR10CM-12 BCR10CM-12L	BCR10PM-8 BCR10PM-8L	BCR10PM-12 BCR10PM-12L		
12	BCR12CM-8 BCR12CM-8L	BCR12CM-12 BCR12CM-12L	BCR12PM-8 BCR12PM-8L	BCR12PM-12 BCR12PM-12L		
16	BCR16CM-8 BCR16CM-8L	BCR16CM-12 BCR16CM-12L	BCR16PM-8 BCR16PM-8L	BCR16PM-12 BCR16PM-12L		

Package	Flat Base		TO-92		MP-3	
$I_T(RMS)$ / $V_{DRM}(V)$	400	600	400	600	400	600
1			BCR1AM-8	BCR1AM-12		
5					BCR5AS-8L	BCR5AS-12L
16	BCR16HM-8 BCR16HM-8L	BCR16HM-12 BCR16HM-12L				
30	BCR30GM-8 BCR30GM-8L	BCR30GM-12 BCR30GM-12L				

Triac Trigger Module Selector Table

Type	Package	I_T (mA)	P_T (mW)	I_g (mA)
BS08A	TO-92	175	250	5

Silicon Controlled Rectifier (SCR) Selector Table

Package	TO-92		SOT-89		TO-202		TO-202B1
$I_T(RMS) \backslash V_{DRM} (V)$	400	600	400	600	400	600	400
0.40**							CR3AMZ-8*
0.47	CR02AM-8 CR03AM-8	CR03AM-12					
0.63	CR04AM-8	CR04AM-12					
0.94							CR3EM-8*
1.26			CR08AS-8	CR08AS-12			
3.15					CM2AM-8	CM2AM-12	
4.70					CR3CM-8	CR3CM-12	

Package	TO-220		MP-3	
$I_T(RMS) \backslash V_{DRM} (V)$	400	600	400	600
0.8**	CR3JM-8*			
7.8			CR5AS-8	CR5AS-12
9.4	CR6CM-8	CR6CM-12		
12.6	CR8AM-8	CR8AM-12		

* Designed for strobe flash application.

** $I_T(AV)$

3rd Generation Discrete IGBT Selector Table**

Package	TO-220		TO-220S		TO-220F	
$I_C(A) \backslash V_{CEO} (V)$	600	1200	600	1200	400/600	1200
5		CT5UM-24		CT5YS-24		CT5TM-24
10	CT10UM-12	CT10UM-24	CT10YS-12	CT10YS-24	CT10TM-12	CT10TM-24
15	CT15UM-12		CT15YS-12		CT15TM-12	
20	CT20UM-12		CT20YS-12		CT20TM-12	
130					CT30TM-8*	

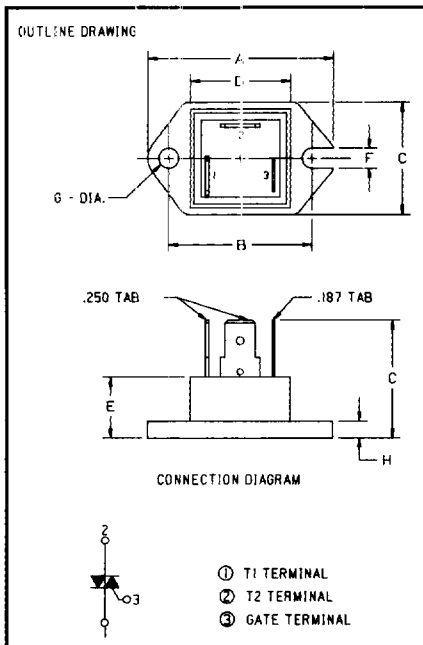
Package	TO-3P		TO-3PL	
$I_C(A) \backslash V_{CEO} (V)$	400/600	1200	600	1000/1200
10		CT10SM-24		
15		CT15SM-24		
20	CT20SM-12			
25				CT25AM-24
30	CT30SM-12			
50			CT50AM-12	CT50AM-24
60/75			CT75AM-12	CT60AM-20 ⁽¹⁾
200	CT35SM-8*			

* Designed for strobe flash application.

** Devices in this table are planned only and the factory should be contacted for specific availability.

(1) Designed for resonant switches only.

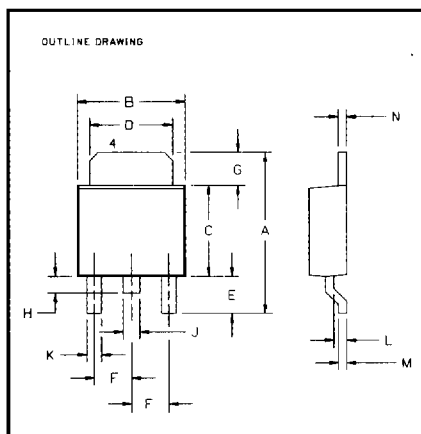
Flat Base



Dimension	Inches	Millimeters
A	1.54 Max.	39.0 Max.
B	1.189 ± 0.008	30.2 ± 0.2
C	0.94 Max.	24.0 Max.
D	0.94 Max.	24.0 Max.
E	0.83 Max.	21.0 Max.
F	0.51 Max.	13.0 Max.
G	0.165	4.2
H	0.165 Dia.	4.2 Dia.
J	0.14 Max.	3.5 Max.

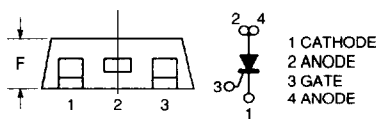
BCR16HM-8, BCR16HM-8L,
 BCR16HM-12, BCR16HM-12L,
 BCR30GM-8, BCR30GM-8L,
 BCR30GM-12, BCR30GM-12L

MP-3



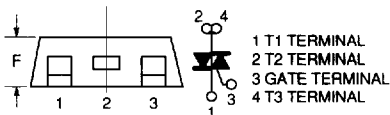
Dimension	Inches	Millimeters
A	0.39 Max.	10.0 Max.
B	0.26	6.5
C	0.22 ± 0.008	5.5 ± 0.2
D	0.20 ± 0.008	5.0 ± 0.2
E	0.18	4.6
F	0.09 Min.	2.3 Min.
G	0.09	2.3
H	0.06 ± 0.008	1.5 ± 0.2
J	0.04	1.01
K	0.04 Max.	1.0 Max.
L	0.035 Max.	0.9 Max.
M	0.31	0.8
N	0.02 ± 0.008	0.5 ± 0.2

SCR Schematic



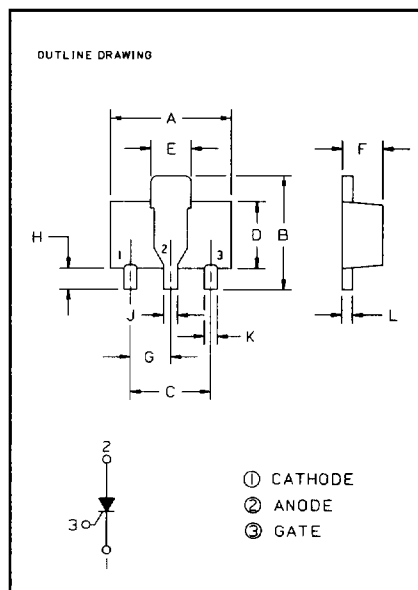
CR5AS-8, CR5AS-12

TRIAC Schematic



BCR5AS-8L, BCR5AS-12L

SOT-89

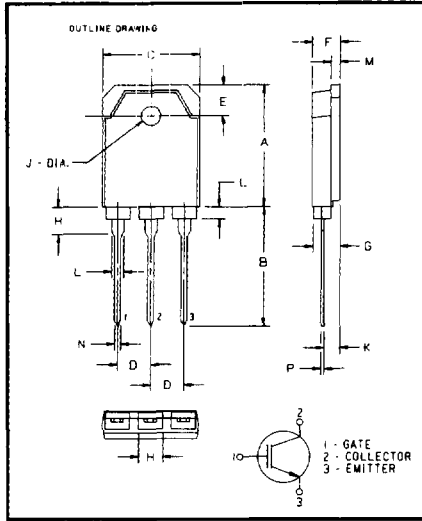


Dimension	Inches	Millimeters
A	0.18 Max.	4.6 Max.
B	0.17 Max.	4.2 Max.
C	0.12	3.0
D	0.10 ± 0.004	2.5 ± 0.1
E	0.06 ± 0.008	1.6 ± 0.2
F	0.06 ± 0.004	1.5 ± 0.1
G	0.06	1.5
H	0.031 Min.	0.8 Min.
J	0.021 Max.	0.58 Max.
K	0.019 Max.	0.048 Max.
L	0.016+0.001/-0.002	0.4+0.03/-0.05

CR08AS-8, CR08AS-12

Powerex, Inc., 200 Hillis Street, Youngwood, Pennsylvania 15697-1800 (412) 925-7272
 Powerex, Europe, S.A. 428 Avenue G. Durand, BP107, 72003 Le Mans, France (43) 41.14.14

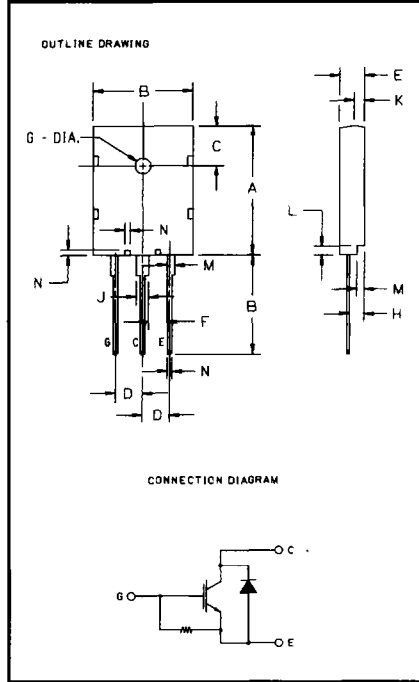
TO-3P



Dimension	Inches	Millimeters
A	0.79	20.0
B	0.61	15.6
C	0.214 ± 0.008	5.45 ± 0.2
D	0.2	5.0
E	0.18	4.5
F	0.16	4.0
G	0.126 ± 0.008 Dia.	3.2 ± 0.2 Dia.
H	0.11	2.8
J	0.08	2.0
K	0.07	1.8
L	0.06	1.5
M	0.04	1.0
N	0.02	0.6

CT10SM-24, CT15SM-24,
 CT20SM-12, CT30SM-12,
 CT35SM-8

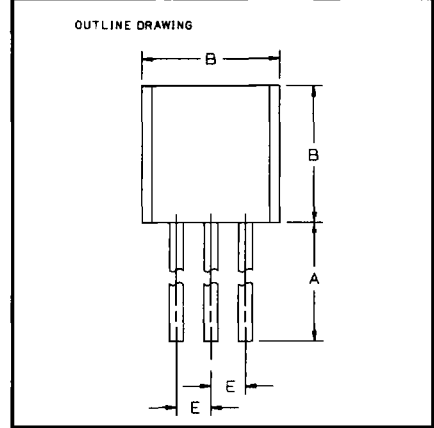
TO-3PL



Dimension	Inches	Millimeters
A	1.02	26.0
B	0.79	20.0
C	0.2	5.0
D	0.214	5.45
E	0.2	5.0
F	0.14	3.7
G	0.12 Dia.	3.2 Dia.
H	0.12	3.0
J	0.1	2.5
K	0.08	2.0
L	0.07	1.7
M	0.06	1.5
N	0.04	1.0

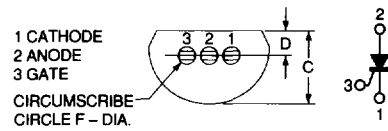
CT25AM-24, CT50AM-12,
 CT50AM-24, CT60AM-20,
 CT75AM-12

TO-92



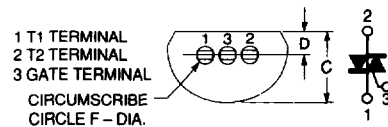
Dimension	Inches	Millimeters
A	0.45 Min.	12.5 Min.
B	0.2 Max.	5.0 Max.
C	0.15 Max.	2.9 Max.
D	0.05	1.3
E	0.05	1.25
F	0.028 Dia.	0.7 Dia.

SCR Schematic



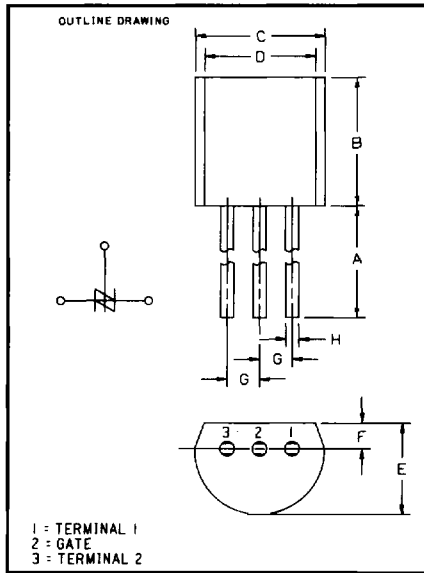
CR02AM-8, CR03AM-8, CR03AM-12,
 CR04AM-8, CR04AM-12

TRIAC Schematic



BCR1AM-8, BCR1AM-12

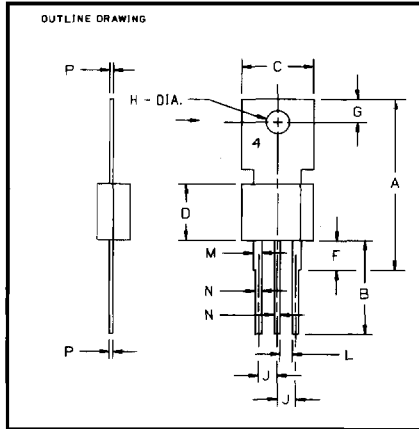
TO-92 (TRIAC Trigger)



Dimension	Inches	Millimeters
A	0.413	10.5 Min.
B	0.236 ± 0.004	6.0 ± 0.1
C	0.22	5.6
D	0.185	4.7
E	0.169 ± 0.004	4.3 ± 0.1
F	0.059 ± 0.004	1.5 ± 0.1
G	0.049 ± 0.012	1.25
H	0.017 Dia.	0.44 ± 0.03 Dia.

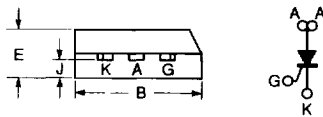
BS08A

TO-202



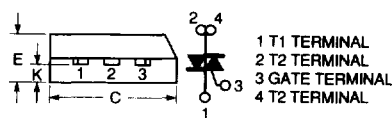
Dimension	Inches	Millimeters
A	0.81 ± 0.02	20.5 ± 0.5
B	0.39	10.0
C	0.35 Min.	9.0 Min.
D	0.31 Max.	8.0 Max.
E	0.18	4.5
F	0.126 ± 0.008	3.2 ± 0.2
G	0.126 ± 0.004 Dia.	3.2 ± 0.1 Dia.
H	0.10	2.5
J	0.061	1.55
K	0.059 Max.	1.5 Max.
L	0.059 Min.	1.5 Min.
M	0.047	1.2
N	0.035	0.8
P	0.31	0.8
Q	0.02	0.5

SCR Schematic



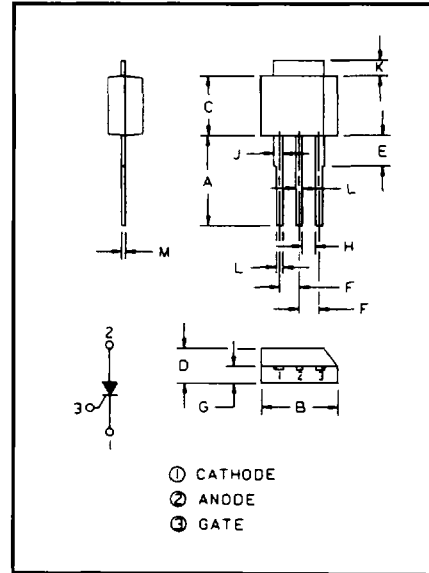
CM2AM-8, CM2AM-12, CR3CM-8,
 CR3CM-12

Triac Schematic



BCR3AM-8, BCR3AM-12

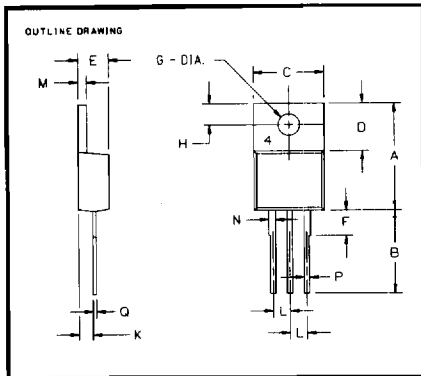
TO-202B1 (SCR)



Dimension	Inches	Millimeters
A	0.47 Min.	12.0 Min.
B	0.39 Max.	10.0 Max.
C	0.31 Max.	8.0 Max.
D	0.18 Max.	4.5 Max.
E	0.16 Max.	4.0 Max.
F	0.10	2.5
G	0.061	1.55
H	0.06 Min.	1.5 Min.
J	0.05	1.2
K	0.04 ± 0.02	1.0 ± 0.5
L	0.03	0.8
M	0.02	0.5

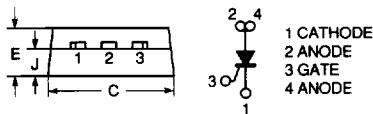
CR3AMZ-8, CR3EM-8

TO-220



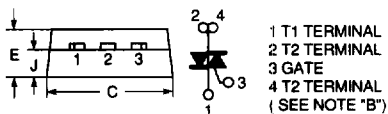
Dimension	Inches	Millimeters
A	0.63 Max.	16.0 Max.
B	0.49 Min.	12.5 Min.
C	0.41	10.5
D	0.28	7.0
E	0.18	4.5
F	0.15 Max.	3.8 Max.
G	0.142 ± 0.008 Dia.	3.6 ± 0.2 Dia.
H	0.125 ± 0.008	3.2 ± 0.2
J	0.102 ± 0.016	2.6 ± 0.4
K	0.1	2.5
L	0.051	1.3
M	0.039	1.0
N	0.031	0.8
P	0.02	0.5

SCR Schematic



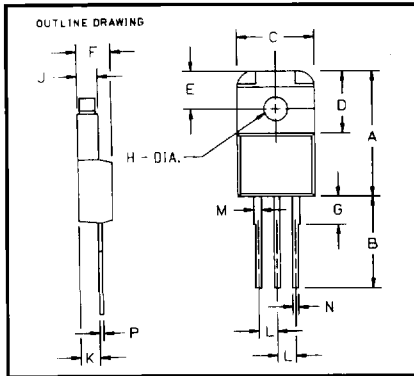
CR6CM-8, CR6CM-12, CR8AM-8,
CR8AM-12, CR3JM-8

TRIAC Schematic



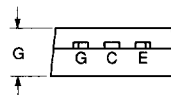
BCR5AM-8, BCR5AM-8L, BCR5AM-12,
BCR5AM-12L, BCR6AM-8,
BCR6AM-8L, BCR6AM-12,
BCR6AM-12L, BCR8CM-8,
BCR8CM-8L, BCR8CM-12,
BCR8CM-12L, BCR10CM-8,
BCR10CM-8L, BCR10CM-12,
BCR10CM-12L, BCR12CM-8,
BCR12CM-8L, BCR12CM-12,
BCR12CM-12L, BCR16CM-8,
BCR16CM-8L, BCR16CM-12,
BCR16CM-12L

TO-220F



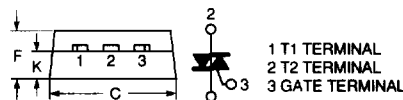
Dimension	Inches	Millimeters
A	0.669 ± 0.012	17.0 ± 0.3
B	0.53 Min.	13.5 Min.
C	0.41 Max.	10.5 Max.
D	0.335 ± 0.012	8.5 ± 0.3
E	0.205 ± 0.008	5.2 ± 0.2
F	0.197 ± 0.012	5.0 ± 0.3
G	0.18 Max.	4.7 Max.
H	0.16 Max.	4.0 Max.
J	0.126 ± 0.008	3.2 +0.2/-0.0
K	0.110 ± 0.008	2.8 ± 0.2
L	0.102 ± 0.008	2.6 ± 0.2
M	0.1 ± 0.01	2.54 ± 0.25
N	0.06 Max.	1.5 Max.
P	0.47 ± 0.012	1.2 ± 0.3
Q	0.031 ± 0.004	0.8 ± 0.1
R	0.02 ± 0.004	0.5 ± 0.1

SCR Schematic



CT5TM-24, CT10TM-12, CT10TM-24,
CT15TM-12, CT20TM-12, CT30TM-8

TRIAC Schematic



BCR5PM-8, BCR5PM-8L,
BCR5PM-12, BCR5PM-12L,
BCR8PM-8, BCR8PM-8L,
BCR8PM-12, BCR8PM-12L,
BCR10PM-8, BCR10PM-8L,
BCR10PM-12, BCR10PM-12L,
BCR12PM-8, BCR12PM-8L,
BCR12PM-12, BCR12PM-12L,
BCR16PM-8, BCR16PM-8L,
BCR16PM-12, BCR16PM-12L