

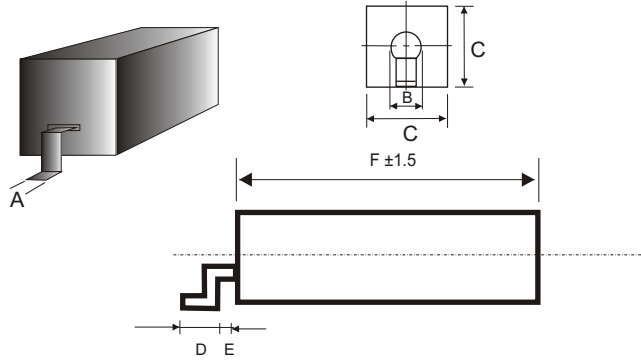
Specify AEL

Dielectric Devices

DR (TEM Mode Dielectric Resonators)



DIELECTRIC DEVICES



Code	S03	S04	S05	S06	S10
A	0.5	0.6	1.0	1.0	1.0
B	1.0	2.0	2.2	2.6	3.1
C	3.0	4.0	5.0	6.0	10.0
D	0.7	0.7	1.0	1.0	1.5
E	0.5	0.5	1.0	2.0	2.0
F	Varies with Frequency				

FEATURES

- Ideal for Wireless Receivers
- Rugged Construction
- Surface Mounted

APPLICATIONS

- Low Power Radio
- Pagers
- Security Systems

STANDARD SPECIFICATIONS (Please contact Sales Office for alternatives)

Model Series	Dielectric Constant	Frequency Stability	Wave Length	Mode	Frequency Range (MHz)	Qu (Min.)	Frequency Tolerance
DR-90	90 +/-2	0 +/-10	/2 or	S03	900~1490	230	+/-0.5% or +/-1.0%
					1500~1690	250	
					1700~1990	270	
					2000~3000	290	
				S04	500~540	200	
					550~640	220	
					650~790	240	
					800~890	260	
					900~1490	270	
					1500~1790	290	
				S05	1800~1890	340	
					1900~3000	370	
					500~590	270	
					600~1490	350	
S06	1500~2500	400					
	400~490	330					
	500~790	350					
	800~1290	400					
S10	1300~1690	470					
	1700~2200	510					
S2x3	300~700	600					
	900~1590	170					
	1600~2590	200					
S4x6	2600~3000	260					
	400~900	200					
DR-37	37 +/-2	0 +/-10	/2 or	S04	1000~1900	360	+/-0.5% or +/-1.0%
					2000~3000	400	
				S06	700~1540	450	
					1550~1800	550	
DR-21	21 +/-2	0 +/-10	/2 or	S03	400~1200	650	+/-0.5% or +/-1.0%
					1900~2490	380	
				S04	2500~3000	400	
					1300~1490	300	
					1500~1990	400	
					2000~3000	450	
					1000~1190	500	
					1200~1790	600	
S06	1800~2490	650					
	2500~3000	850					



www.aelcrystals.co.uk

quartz based frequency control components

Order Hotline +44 1293 524245

www.aelcrystals.co.uk
sales@aelcrystals.co.uk