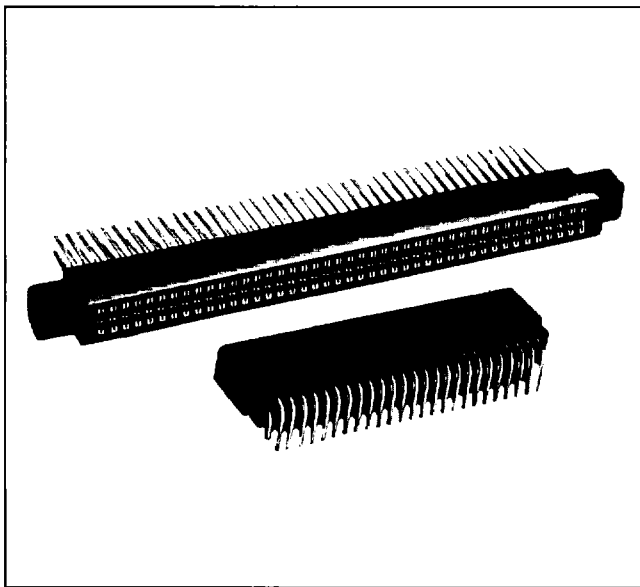


MODEL EB6

Edgeboard Connectors

Dual Readout, .125" [3.17mm] C-C Standard and Right Angle Terminals



FEATURES

- Grid Patterns: .125" C-C x .150" [3.17mm x 3.81mm], .125" C-C x .200" [3.17mm x 5.08mm] and .125" C-C x .250" [3.17mm x 6.35mm]
- Standard and right angle terminals
- Greater design latitude:
 - 3 body materials: Diallyl phthalate, phenolic and glass-filled polyester.
 - 7 contact termination styles: 3 standard, 4 right angle.
 - 19 body sizes and 6 mounting styles.
- Selective gold plating
- Accepts PC board thickness of .054" to .071" [1.37mm to 1.80mm]
- Polarization between contact positions in all sizes. Between contact polarization permits polarizing without loss of contact position.
- **Recognized under the Component Program of Underwriters Laboratories, Inc. Listed under File E65524, Project 77CH3889.**

APPLICATIONS

For use with .0625" [1.59mm] printed circuit boards requiring an edgeboard type connector on .125" [3.17mm] centers.

ELECTRICAL SPECIFICATIONS

Current Rating: 3 amps.

Test Voltage Between Contacts:

At sea level: 1500 V RMS.

At 70,000 feet [21,336 meters]: 325 V RMS.

Insulation Resistance: 5000 Megohm minimum at 500 VDC potential.

Contact Resistance: 30 millivolts maximum at rated current (with gold plating).

Operating Temperature: - 65°C to + 125°C.

Humidity: 96 hours at 90% relative humidity at + 40°C, dried at room temperature for 3 hours minimum, insulation resistance was greater than 5000 Megohm.

Durability: After 500 cycles of insertion and withdrawal of a .070" [1.78mm] thick steel test board, contact resistance less than .030 V at 3 amps on gold plated contacts and individual contact pair separation force when measured with a .054" [1.37mm] thick steel test blade was greater than 1/2 ounce.

Shock: Three 50 G shocks in each of 3 mutually perpendicular planes with no loss of continuity.

Vibration: 2 hours in each of 3 mutually perpendicular planes, frequency sweep 10 to 55 cps at .06 double amplitude with no loss of continuity.

MATERIAL SPECIFICATIONS

Body Material:

"1" glass-filled diallyl phthalate per MIL-M-14, Type SDG-F green, flame retardant (UL 94V-0).

"2" glass-filled phenolic per MIL-M-14, Type MFH dark green, flame retardant (UL 94V-0).

"3" thermoplastic polyester, glass-filled, black, flame retardant (UL 94V-0).

Contacts: Phosphor bronze. (See How to Order.)

Polarizing Key: Glass reinforced nylon, flame retardant (UL 94H-B).

Plating: Gold. (See How to Order.)

PHYSICAL SPECIFICATIONS

Contact Type: Bifurcated Cantilever Beam.

Number of Contacts: 6, 10, 12, 14, 15, 18, 22, 24, 25, 28, 30, 31, 32, 35, 36, 40, 43, 44, 49 and 50 per side.

Contact Terminal Variation: Standard Terminals.

Type "C" - Dip Solder, .025" [.635mm] square terminals, .175" [4.44mm] nominal terminal length below standoffs.

Type "D" - Dip Solder, .025" [.635mm] square terminals, .115" [2.92mm] nominal terminal length below standoffs.

Type "K" - Wire Wrap™, .025" [.635mm] square terminals, .570" [14.48mm] nominal terminal length below standoffs.

Contact Terminal Variation: Right Angle Terminals.

Type "1R" - Dip Solder, .025" [.635mm] square terminals, .120" [3.05mm] nominal terminal length x .150" [3.81mm] nominal terminal row spacing.

Type "2R" - Dip Solder, .025" [.635mm] square terminals, .120" [3.05mm] nominal terminal length x .200" [5.08mm] nominal terminal row spacing.

Type "3R" - Dip Solder, .025" [.635mm] square terminals, .180" [4.57mm] nominal terminal length x .150" [3.81mm] nominal terminal row spacing.

Type "4R" - Dip Solder, .025" [.635mm] square terminals, .180" [4.57mm] nominal terminal length x .200" [5.08mm] nominal terminal row spacing.

Contact Spacing: .125" [3.17mm] center to center.

Contact Terminal Row Spacing:

Standard - .250" [6.35mm] nominal.

Right Angle - .200" [5.08mm] nominal and .150" [3.81mm] nominal.

Card Thickness: .054" to .071" [1.37mm to 1.80mm].

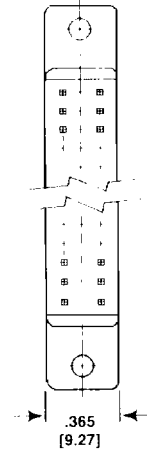
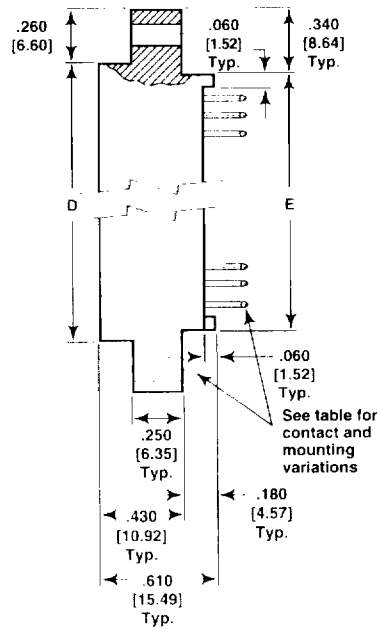
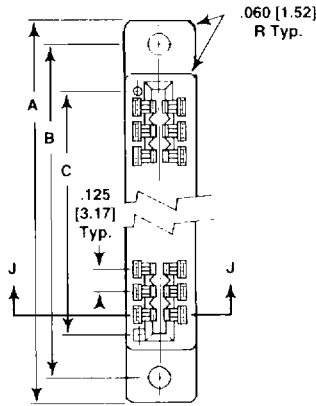
Card Slot Depth: .300" [7.62mm].

Connector Polarization: Between contact polarization key(s) are located to the right of the contact position(s) designated.

High temperature burn-in, edgeboard connectors, with .125" [3.17mm] center to center are on page 392 of this catalog.

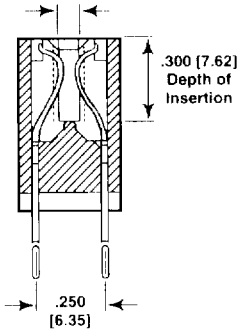
MODEL EB6

DIMENSIONAL CONFIGURATIONS [Numbers in brackets indicate millimeters]



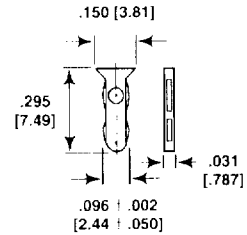
Section J-J

.054 - .071
[1.37 - 1.80]
Card Thickness



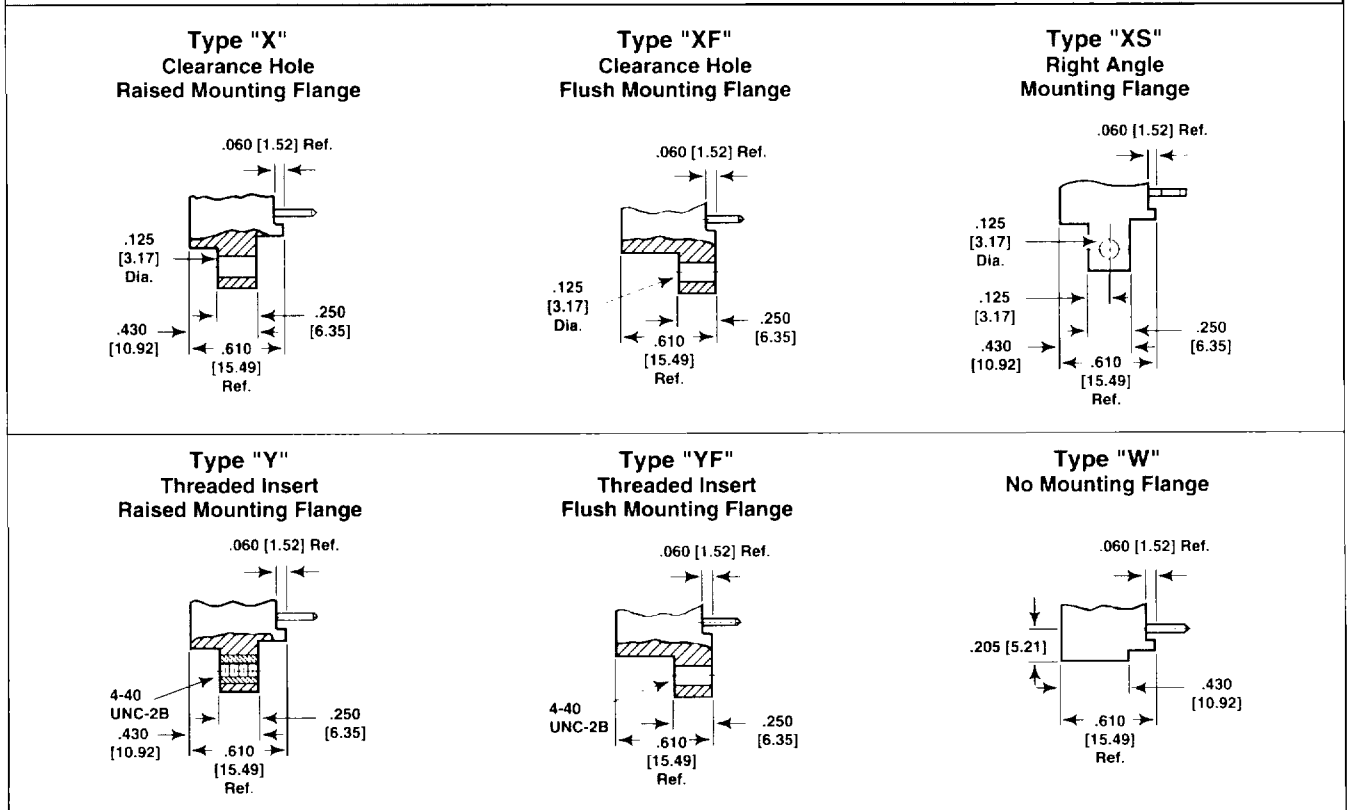
Polarizing Key:

When ordering polarizing keys individually, specify by the Model Number: PK-6 between contacts. Hand insertion tool, TPK-6, provided upon request.

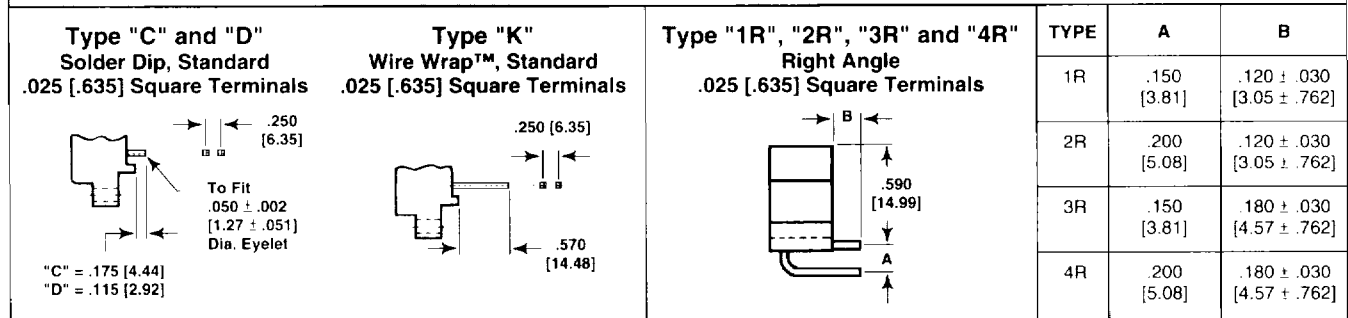


# OF CONTACT POSITIONS PER SIDE	A	B	C	D	E
6	1.555 [39.50]	1.295 [32.89]	.875 [22.22]	1.035 [26.29]	.875 [22.22]
10	2.055 [52.20]	1.795 [45.59]	1.375 [34.92]	1.535 [38.99]	1.375 [34.92]
12	2.305 [58.55]	2.045 [51.94]	1.625 [41.28]	1.785 [45.34]	1.625 [41.28]
14	2.555 [64.90]	2.295 [58.29]	1.875 [47.62]	2.035 [51.69]	1.875 [47.62]
15	2.680 [68.07]	2.420 [61.47]	2.000 [50.80]	2.160 [54.86]	2.000 [50.80]
18	3.055 [77.60]	2.795 [70.99]	2.375 [60.32]	2.535 [64.39]	2.375 [60.32]
22	3.555 [90.30]	3.295 [83.69]	2.875 [73.02]	3.035 [77.09]	2.875 [73.02]
24	3.805 [96.65]	3.545 [90.04]	3.125 [79.38]	3.285 [83.44]	3.125 [79.38]
25	3.930 [99.82]	3.670 [93.22]	3.250 [82.55]	3.410 [86.61]	3.250 [82.55]
28	4.305 [109.35]	4.045 [102.74]	3.625 [92.08]	3.785 [96.14]	3.625 [92.08]
30	4.555 [115.70]	4.295 [109.09]	3.875 [98.42]	4.035 [102.49]	3.875 [98.42]
31	4.680 [118.87]	4.420 [112.27]	4.000 [101.60]	4.160 [105.66]	4.000 [101.60]
32	4.805 [122.05]	4.545 [115.44]	4.125 [104.78]	4.285 [108.84]	4.125 [104.78]
35	5.180 [131.57]	4.920 [124.97]	4.500 [114.30]	4.660 [118.36]	4.500 [114.30]
36	5.305 [134.75]	5.045 [128.14]	4.625 [117.48]	4.785 [121.54]	4.625 [117.48]
40	5.805 [147.45]	5.545 [140.84]	5.125 [130.18]	5.285 [134.24]	5.125 [130.18]
43	6.180 [156.97]	5.920 [150.37]	5.500 [139.70]	5.660 [143.76]	5.500 [139.70]
44	6.305 [160.15]	6.045 [153.54]	5.625 [142.88]	5.785 [146.94]	5.625 [142.88]
49	6.930 [176.02]	6.670 [169.42]	6.250 [158.75]	6.410 [162.81]	6.250 [158.75]
50	7.055 [179.20]	6.795 [172.59]	6.375 [161.92]	6.535 [165.99]	6.375 [161.92]

MOUNTING VARIATIONS [Numbers in brackets indicate millimeters]



TERMINAL VARIATIONS [Numbers in brackets indicate millimeters]



HOW TO ORDER

