

Right-angle SMT type female connector for PCB
HDR-EA()LFYPG1-()(+)

For PCB

Right-angle SMT

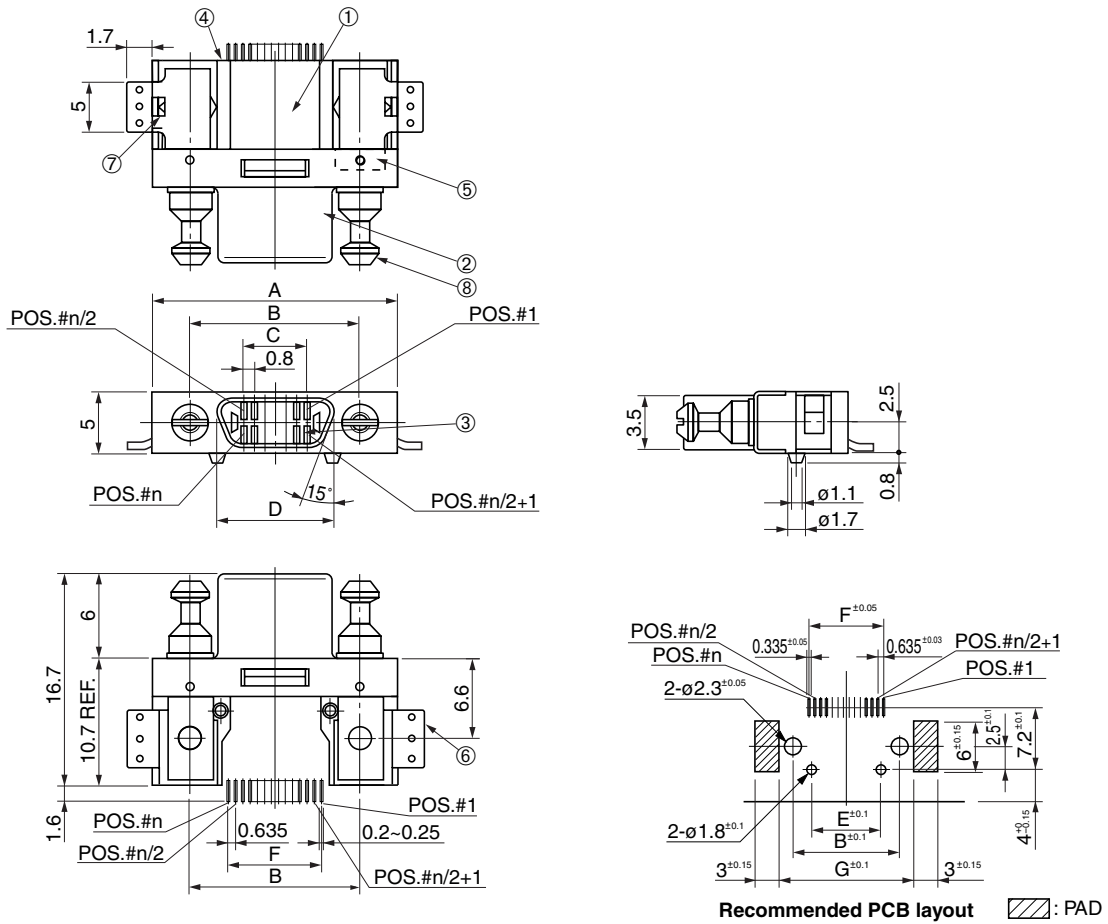
RoHS



● Configuration of product Part No.

HDR-EA () LFY P G1- () ()+

- | | |
|-----------------------------------|-----------------------------------|
| ① Series name | ⑥ Lock screw |
| ② Contact pitch: 0.635 mm | Blank: None |
| ③ No. of contacts: 14 or 26 | SL : Provided |
| ④ Type of contact | ⑦ Length of lock screw |
| LFY: Right-angle SMT type, female | E: 6.6 (standard) |
| ⑤ Contact plating | K: 3.3 (for HDR-E () LPA-LS) |
| G1: 0.76 μm or more Gold plate | Compatible with B-to-B and B-to-C |



● Components

- | |
|---------------|
| ① Insulator A |
| ② Shell |
| ③ Contacts |
| ④ Insulator B |
| ⑤ Square nuts |
| ⑥ Hold down |
| ⑦ Hex nuts |
| ⑧ Lock screw |

● Dimensions

Part No.	A	B	C	D	E	F	G
HDR-EA14LFYPG1-()(+)	20.0	14.4	4.8	8.8	9.2	8.255	19.0
HDR-EA26LFYPG1-()(+)	24.8	19.2	9.6	13.6	14	15.875	23.8

Mating connector: HDR series IDC or solder type male cable connector

For use with housing: -SLE: HDR series vertical housing

-SLK: HDR series vertical housing -LS, -LSA