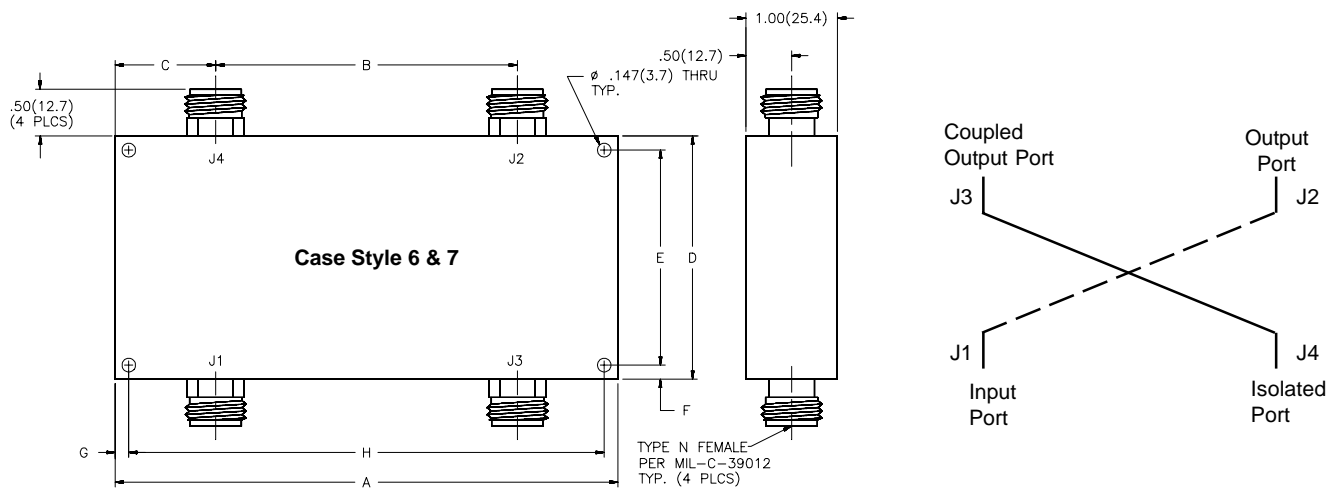


Type N - 500 Watts CW Power

- Wireless Frequency Bands
- PCS and Cellular applications
- 3 dB 90° Crossover Type
- Type N & 7-16 Connector Interfaces

Midwest Microwave offers this complete series of high performance 3 dB Hybrid Crossover Couplers using Type N or 7-16 connector interfaces. They are ruggedly constructed using highly reliable, high quality stripline circuits that exhibit excellent VSWR and amplitude balance performance in the 500 Watt CW power category. They are offered in most of the popular wireless PCS and Cellular frequency bandwidths.



Electrical Specifications

Frequency Range (MHz)	Case Style	Model Number	Amplitude Balance (dB)	Insertion Loss (dB)max	Isolation (dB)min	VSWR (max)	Phase Balance (deg)	Power	
								Avg (W)	Peak (kW)
800 - 960	6	HYW-5341-X3-NNN-05	± 0.25	0.30	20	1.25:1	± 5.0	500	10
1700 - 1990	7	HYW-5343-X3-NNN-05	± 0.30	0.40	15	1.30:1	± 5.0	500	10

Note: For "7-16" connector interface, substitute "716" for "NNN" in the Model No.

Housing thickness for models with 7-16 connectors will be 1.38" (35.1) thick rather than 1.00" (25.4) as shown on drawing above.

Mechanical Specifications - in. (mm)

Case Style	A	B	C	D	E	F	G	H	Weight Oz (Gr)
6	5.50 (139.7)	3.30 (83.8)	1.10 (27.9)	2.60 (66.1)	2.30 (58.4)	0.15 (3.8)	0.15 (3.8)	5.20 (132.1)	22.4 (635.0)
7	3.85 (97.8)	1.65 (41.9)	1.10 (27.9)	2.60 (66.1)	2.30 (58.4)	0.15 (3.8)	0.15 (3.8)	3.55 (90.2)	15.7 (445.0)