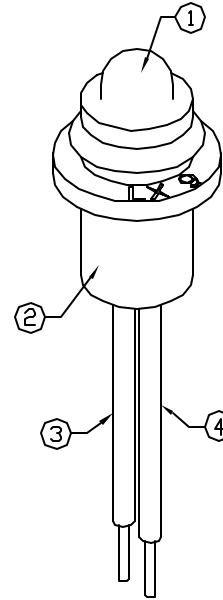
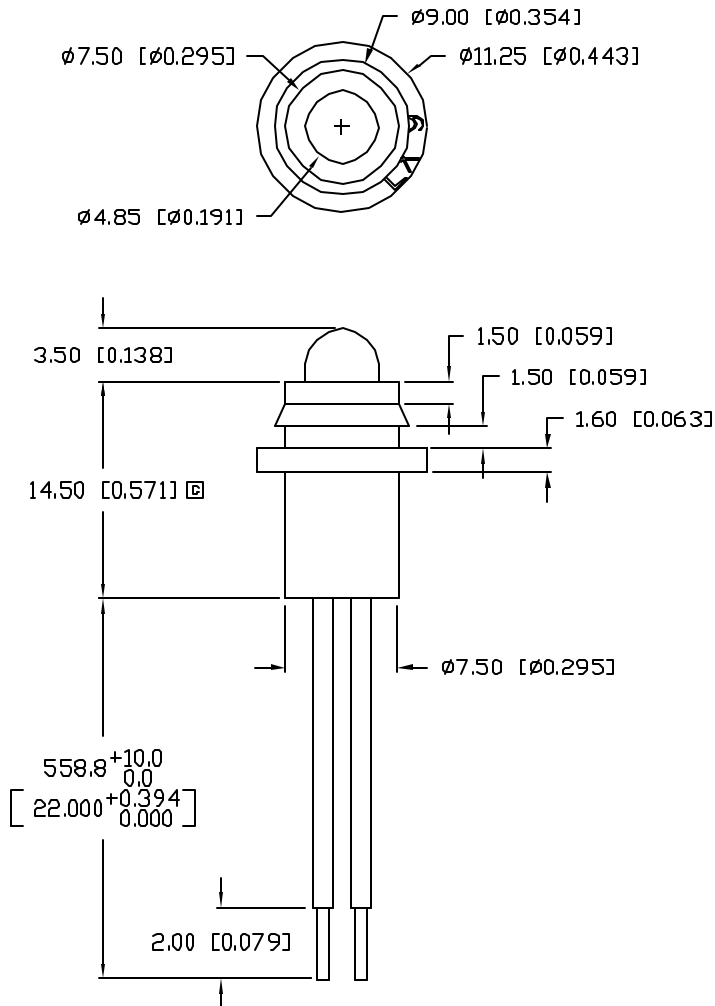


UNCONTROLLED DOCUMENT

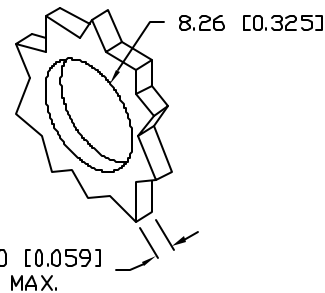
PART NUMBER
SSI-LXH9YD-560

REV.
D

REV.	E.C.N. NUMBER AND REVISION COMMENTS	DATE
A	CHANGED NOTES.	4.29.94
B	UPDATED SPECS AND NOTES.	5.31.95
C	E.C.N. #10427.	5.15.98
D	E.C.N. #10BRDR. & REDRAWN IN 3D.	1.8.02



PANEL CUTOUT



ELECTRO-OPTICAL CHARACTERISTICS $T_A=25^\circ\text{C}$ $I_f=20\text{mA}$

PARAMETER	MIN	TYP	MAX	UNITS	TEST COND
PEAK WAVELENGTH		585		nm	
FORWARD VOLTAGE		2.1	2.5	V_f	
REVERSE VOLTAGE	5.0			V_r	$I_f=100\mu\text{A}$
AXIAL INTENSITY		30		mcd	$I_f=20\text{mA}$
VIEWING ANGLE		60		2x theta	
EMITTED COLOR:	YELLOW				
EPOXY LENS FINISH:	YELLOW DIFFUSED				

LIMITS OF SAFE OPERATION AT 25°C

PARAMETER	MAX	UNITS
PEAK FORWARD CURRENT*	150	mA
STEADY CURRENT	30	mA
POWER DISSIPATION	105	mW
DERATE FROM 25°C	-1.2	mW/ $^\circ\text{C}$
OPERATING, STORAGE TEMP.	-40 TO +85	$^\circ\text{C}$

* $t < 10\mu\text{s}$

NOTES:

1. SSL-LX509F3YD, YELLOW LED.
2. SSH-LXH9, BLACK RUBBER HOUSING.
3. ANODE LEAD: LXP-WST24RDT0C, 24 AWG STRANDED, RED INSULATION, CUT 565mm LONG, STRIP 2mm BOTH ENDS.
4. CATHODE LEAD: LXP-WST24BLT0C, 24 AWG STRANDED, BLACK INSULATION, CUT 565mm LONG, STRIP 2mm BOTH ENDS.
5. CRIMP WIRE LEADS TO LED LEADS.

UNCONTROLLED DOCUMENT

*UNLESS OTHERWISE SPECIFIED TOLERANCES PER DECIMAL PRECISION ARE: X=±1 (±0.039), XX=±0.5 (±0.020), XXX=±0.25 (±0.010), XXXX=±0.127 (±0.005). LEAD SIZE=±0.05 (±0.002), LEAD LENGTH=±0.75 (±0.030), MIN. ^{+DECIMAL PRECISION} _{-0.00} MAX. ^{+0.00} _{-DECIMAL PRECISION}

REV.	PART NUMBER	CONFIDENTIAL INFORMATION	LUMEX	290 E. HELEN ROAD PALATINE, IL 60067-6976 PHONE: +1.847.359.2790 US WEB: www.lumex.com TW WEB: www.lumex.com.tw
D	SSI-LXH9YD-560	THE INFORMATION CONTAINED IN THIS DOCUMENT IS THE PROPERTY OF LUMEX INC. EXCEPT AS SPECIFICALLY AUTHORIZED IN WRITING BY LUMEX INC, THE HOLDER OF THIS DOCUMENT SHALL KEEP ALL INFORMATION CONTAINED HEREIN CONFIDENTIAL AND SHALL PROTECT SAME IN WHOLE OR IN PART FROM DISCLOSURE AND DISSEMINATION TO ALL THIRD PARTIES.		
T-5mm 585nm YELLOW LED PANEL INDICATOR, YELLOW DIFFUSED LENS, 22" WIRE LEADS.		RELIABILITY NOTE OUR MANY YEARS OF EXPERIENCE DATA ACCUMULATION INDICATE THAT SOLDER HEAT IS A MAJOR CAUSE OF EARLY AND FUTURE FAILURE. PLEASE PAY ATTENTION TO YOUR SOLDERING PROCESS.	DRAWN BY: BC	CHECKED BY: APPROVED BY: DATE: 5.28.92 PAGE: 1 OF 1 SCALE: N/A