

Ceramic Resin Sealed SMD Crystal



Model: FE

RoHS Compliant / Pb Free

Rev. 10/31/2008

Page 1 of 2

http://www.foxonline.com/need_a_sample.htm



FEATURES

- Low Cost
- High Frequency Range
- Fundamental to 50 MHz (BT Cut)
- Resin Sealed
- Tape and Reel (2,000 pcs. STD)

OPTIONS

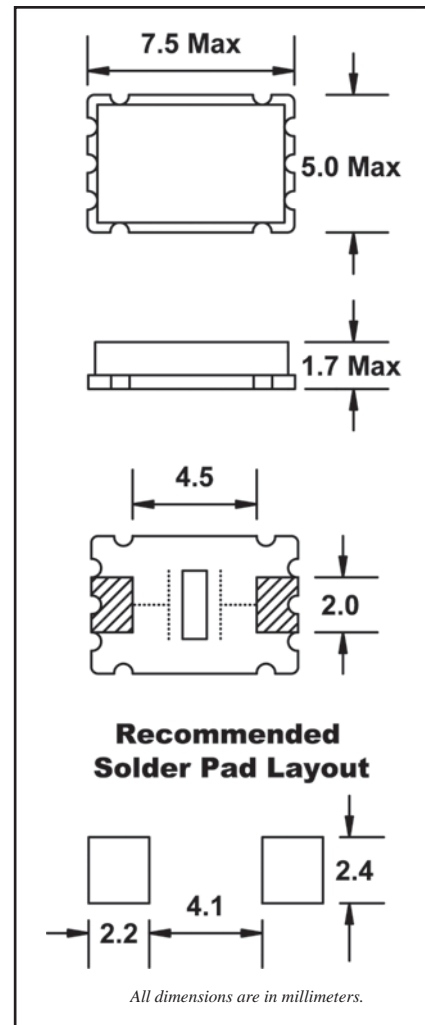
- Tolerances to < 20 PPM
- Stabilities to < 15 PPM
- Temperatures to -40°C ~ +85°C
- 1.4mm Height Max
- 2 Additional Footprints (FH, FL)

• PART NUMBER Learn More - Internet Required		
Part Number	Model Number	Frequency Range (MHz)
219-Frequency-xxxxx	FE	6.000 ~ 160.000

• STANDARD SPECIFICATIONS ¹	
PARAMETERS	MAX (unless otherwise noted)
Frequency Range	6.000 ~ 160.000 MHz
Frequency Tolerance @ 25°C	±50 PPM
Frequency Stability, ref @ 25°C Over Operating Temp Range	±50PPM
Temperature Range	
Operating (TOPR)	-10°C ~ +60°C
Storage (TSTG)	-40°C ~ +85°C
Shunt Capacitance (Co)	7.0 pF
Load Capacitance (CL)	10 pF ~ Series (Customer Specified)
Drive Level	0.5 mW
Aging per year	±5 PPM

¹ Other stabilities & operating temperature ranges available. Consult Fox Customer Service for specific requirements.
All specifications subject to change without notice.

Frequency Range (MHz)	Operating Mode	Max ESR Ω
6.000 ~ 8.000	Fundamental	80
8.000+ ~ 16.000	Fundamental	60
16.000+ ~ 50.000	Fundamental	40
28.000 ~ 84.000	3rd OT	60
84.000+ ~ 160.000	5th OT	80



Ceramic Resin Sealed SMD Crystal



Model: FE

RoHS Compliant / Pb Free

Rev. 10/31/2008

Page 2 of 2

http://www.foxonline.com/need_a_sample.htm



FE Marking Identification

Frequency → 24.000
Product Code → FE b2
 ***Date Code** →

***D/C = Year/Month & Week**

Example: 'p2', p = February 2008, 2 = 2nd week in February 2008

Year/Month	Jan	Feb	Mar	Apr	May	Jun	Jul	Aug	Sep	Oct	Nov	Dec
2007	a	b	c	d	e	f	g	h	j	k	l	m
2008	n	p	q	r	s	t	u	v	w	x	y	z
2009	A	B	C	D	E	F	G	H	J	K	L	M
2010	N	P	Q	R	S	T	U	V	W	X	Y	Z
2011	a	b	c	d	e	f	g	h	j	k	l	m

• TAPE SPECIFICATIONS (millimeters)

MODEL	A	B	C	D	E	F	STD Reel QTY
FE	∅1.5	4.0	8.0	7.5	16.0	2.3	2,000

• REEL SPECIFICATIONS (millimeters)

MODEL	G	H	I	J	K	L	M
FE	2.0	∅13	∅21	∅80	∅250	17.5	2.0

