

**MICRO SWITCH**  
a Honeywell Division

FED. MFG. CODE 91 929

**SWITCH - BASIC**

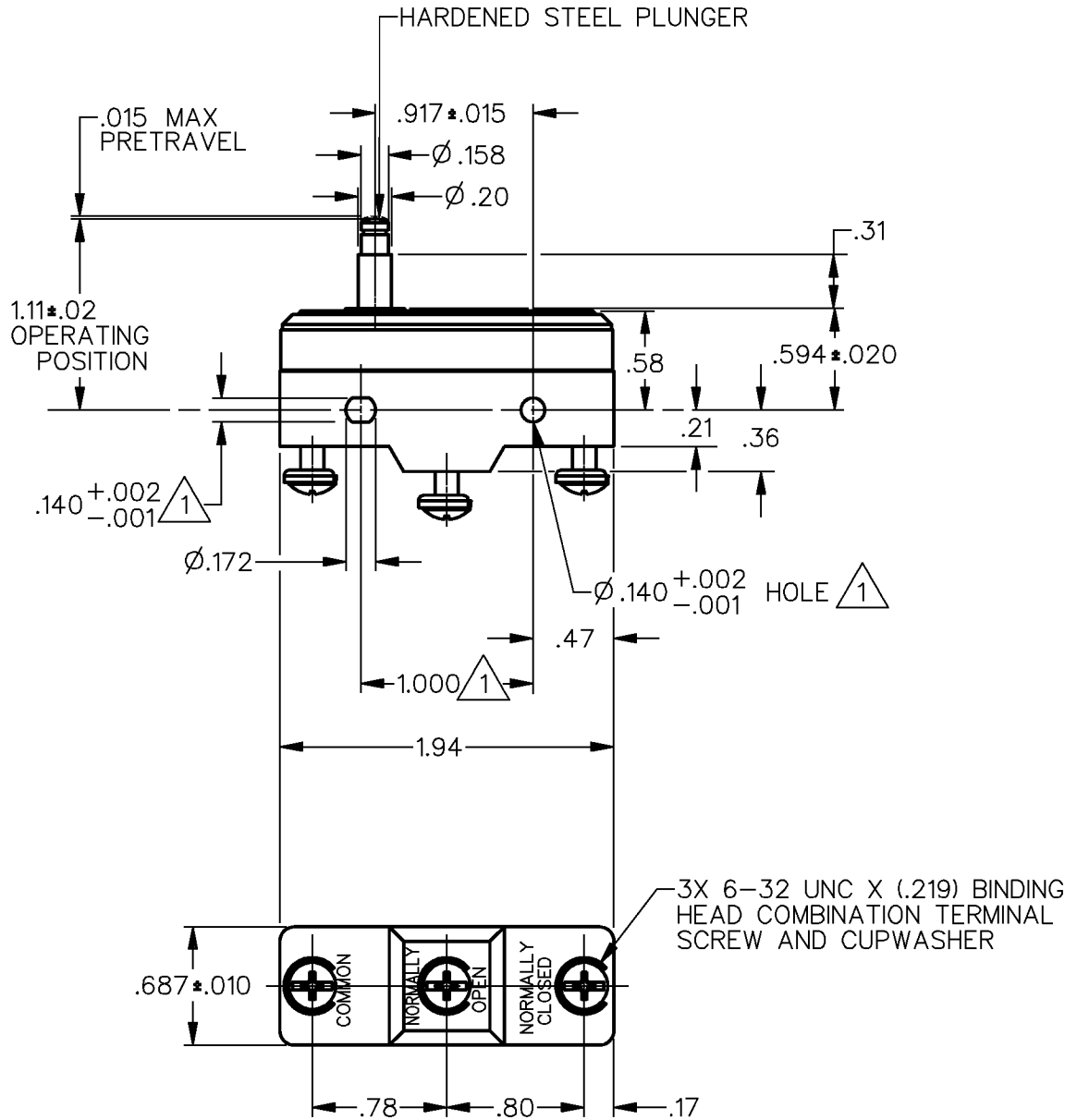
CATALOG LISTING

**BZ-2RS7224-A2**

**AMG5525**

CATALOG LISTING  
**BZ-2RS7224-A2**  
PAGE 1 OF 1  
ISSUE **M**  
3

REPLACES X100219-BZ  
RELEASE NO. PR-21913  
CHECK  
25 NOV 05  
25 NOV 05  
RJ  
CHECK  
17 NOV 95  
J A F  
CHECK  
17 NOV 95  
J A F

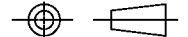


- NOTES  
 1 MOUNTING HOLES WILL ACCEPT PINS OR SCREWS OF  $\phi .139$  MAX ON  $1.000 \pm .002$  CENTERS  
 2 - SWITCH WILL WITHSTAND TEMPERATURE OF  $250^{\circ}\text{F}$   
 3 - CONTACT MATERIAL: GOLD ALLOY

ANSI Y14.5M-1982 APPLIES

THIS DRAWING COVERS A PROPRIETARY ITEM AND IS THE PROPERTY OF MICRO SWITCH, A DIVISION OF HONEYWELL. THIS DRAWING IS NOT TO BE COPIED OR USED WITHOUT THE APPROVAL OF MICRO SWITCH.

THIRD ANGLE PROJECTION



CHARACTERISTICS	ELECTRICAL DATA	SCALE FULL	DO NOT SCALE PRINT		
		<p>OPERATING FORCE - - - - - 9-13 OZ</p> <p>RELEASE FORCE - - - - - 4 OZ MIN</p> <p>DIFFERENTIAL TRAVEL - -.0004-.0020</p> <p>OVERTRAVEL - - - - - .060 MIN</p>		<p>CONTACT ARRANGEMENT S P D T</p> <p>L22 1A 125 VAC</p> <p>L288 -L315- L307 1A 250V    </p>	
		WEIGHT			

RASTER  
DRAWN