



## 76 mm Diameter Proximity Sensors 4-Wire DC, 2, 3-Wire AC Types

### FEATURES

- Sealed to NEMA 3, 3R, 3S, 4, 12, 13
- Optional LED output indicator
- -30 to +70°C (-22 to +160°F) temperature range (2-wire AC, up to 85°C)
- False pulse suppression, line transients and noise protection

### ORDER GUIDE

Sensor Package Style	Sensing Range mm (in.)	Sensor Type	LED	Sw. Freq.	Standard Target* mm (in.)	Output Type	Input Voltage	Catalog Listing	
	32 (1.26) Unshielded	4-wire DC	NO	100 Hz	101 (4)	NPN, N.O./N.C.**	8.5-20	FYDB32F1-2	
			YES	100 Hz	101 (4)	NPN, N.O./N.C.**	19-30	FYDD32B2-2	
		2-wire AC	YES	13 Hz	101 (4)	N.O.	93-132	FYDD32C4-2	
			3-wire AC	NO	20 Hz	101 (4)	N.O. N.C.	93-132	FYDB32C3-2
				YES	20 Hz	101 (4)	N.O. N.C.	93-132	FYDD32C3-2
	32 (1.26) Unshielded	2-wire AC	YES	13 Hz	101 (4)	N.O.	93-132	FYDD32C4-33	
			NO	13 Hz	101 (4)	N.O.	93-132	FYDD32C4-33	

\* Square of mild steel, 1.6 mm (.062 in.) thick.

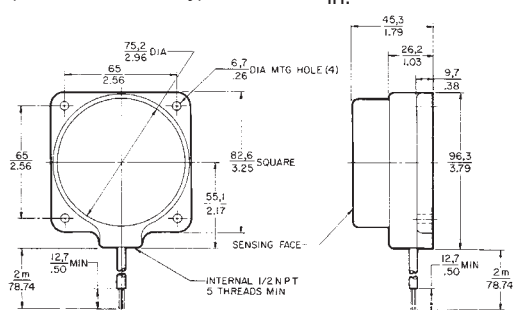
\*\* Complementary outputs N.O./N.C.

### SPECIFICATIONS

Sensor Type	4-wire DC	2-wire AC	3-wire AC
Supply Voltage	8.5-20, 19-30 VDC	93-132 VAC	93-132 VAC
Load Current, min.-max.	0-170 mA, N.O. 0-20 mA, N.C.	20-500 mA continuous	50 mA to 1.2 A
Leakage Current, max.	10 µA	8.5 mA	6 mA
Voltage Drop, max.	0.5 VDC Sinking, 2.6 VDC Sourcing	9 V	2 V
Current Consumption, max.	25 mA	—	6 mA
Inrush Current	—	2.7 A	7.5 A
Repeatability, Unshielded	± 3%		
Hysteresis	2-15%		
Sensing Face Material	Polyamide		
Housing Material	Aluminum with epoxy powder coat		
Cable Type	PVC jacket, 22 gage (DC), 18 gage (AC)		

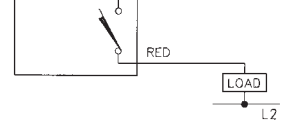
### MOUNTING DIMENSIONS

(For reference only)

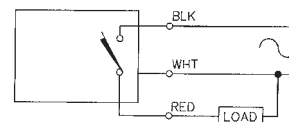


### WIRING DIAGRAMS

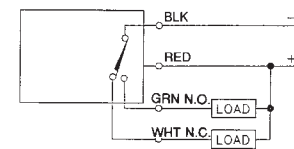
#### 2-wire AC



#### 3-wire AC



#### 4-wire DC NPN (Sinking) N.O.

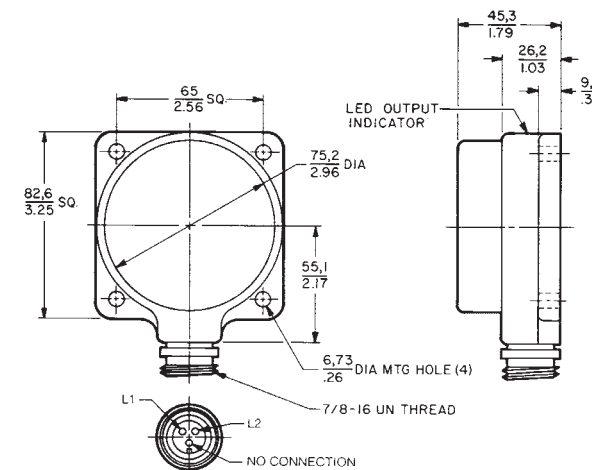


#### PNP (Sourcing) N.O.



### MATING CABLES

Description		Catalog Listing
Mini 3-pin AC, Straight	6'	40902
	12'	40903



Proximity