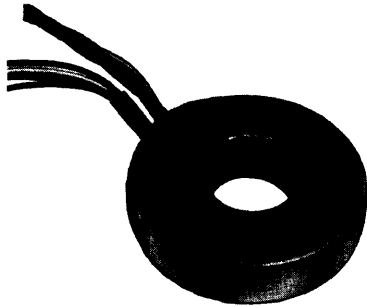




TAZ

toroidal transformers

NFC 52200



TAZ toroidal transformers are designed for 50 / 60 Hz power supplies used for electronic circuitry. Performance and geometry of magnetic core give an excellent efficiency and very low radiation. Parts are delivered with ring washers for easy assembly.

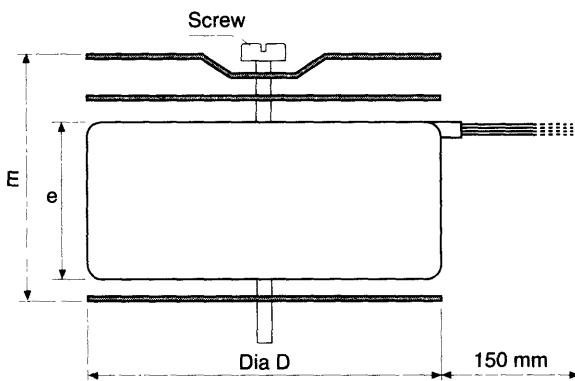


Fig 1

| SERIES | DIMENSIONS in mm | | | SCREW | UNIT WEIGHT kg |
|---------|------------------|----|----|-----------|----------------|
| | Dia D | e | E | | |
| TAZ 15 | 63 | 31 | 36 | M 4 x 40 | 0,32 |
| TAZ 30 | 72 | 32 | 37 | M 4 x 40 | 0,52 |
| TAZ 50 | 82 | 33 | 38 | M 6 x 40 | 0,73 |
| TAZ 80 | 90 | 42 | 47 | M 6 x 50 | 1,0 |
| TAZ 120 | 102 | 37 | 42 | M 6 x 50 | 1,5 |
| TAZ 160 | 105 | 43 | 48 | M 6 x 50 | 1,7 |
| TAZ 200 | 118 | 42 | 47 | M 8 x 50 | 2,1 |
| TAZ 250 | 125 | 60 | 65 | M 8 x 70 | 3,0 |
| TAZ 300 | 130 | 60 | 65 | M 8 x 70 | 3,4 |
| TAZ 500 | 145 | 55 | 60 | M 10 x 60 | 4,3 |

Dimensions in mm

SPECIFICATIONS

MECHANICAL

ASSEMBLY... screwed and tied by ring washer and 2 soft washers
 CONNECTION... wire with coloured sleeves
 PROTECTION... polyester ribbon

CLIMATIC

TEMPERATURE RANGE... 0°C to +70°C

ELECTRICAL

PRIMARY VOLTAGE... 115 V RMS parallel windings
 230 V RMS series windings
 FREQUENCY RANGE... 50 or 60 Hz
 DIELECTRIC STRENGTH... 2500 V RMS

SPECIAL FEATURES ON REQUEST

- Primary / secondary shield
- Flexible leads
- Impregnation
- Connector
- Specific voltages
- Specific sizes.

MARKING

Label with manufacturer, series, model, manufacturing date (code), schematic.

ELECTRICAL DIAGRAM

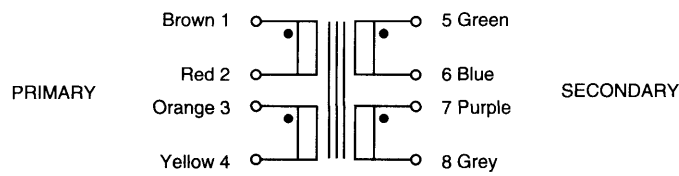


Fig 2

Connection for 230 V main supply

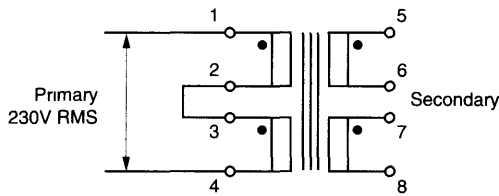


Fig. 3

Connection for 115 V main supply

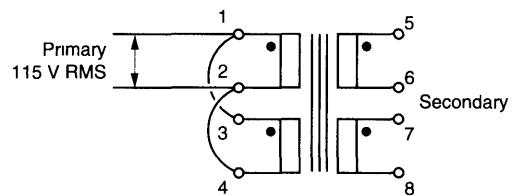


Fig. 4

| SERIES AND MODEL | POWER W | CURRENT (A) | | | | | |
|------------------|---------|-------------|---------|----------|----------|----------|----------|
| | | 2 x 6 V | 2 x 9 V | 2 x 12 V | 2 x 15 V | 2 x 24 V | 2 x 48 V |
| TAZ 15 | 15 | 1,3 | 0,84 | 0,63 | 0,50 | 0,32 | 0,16 |
| TAZ 30 | 30 | 2,5 | 1,7 | 1,3 | 1,0 | 0,63 | 0,32 |
| TAZ 50 | 50 | 4,2 | 2,8 | 2,1 | 1,7 | 1,1 | 0,53 |
| TAZ 80 | 80 | 6,7 | 4,5 | 3,4 | 2,7 | 1,7 | 0,84 |
| TAZ 120 | 120 | 10 | 6,7 | 5 | 4 | 2,5 | 1,25 |
| TAZ 160 | 160 | 13,4 | 8,9 | 6,7 | 5,4 | 3,4 | 1,7 |
| TAZ 200 | 200 | 16,7 | 11,1 | 8,4 | 6,7 | 4,2 | 2,1 |
| TAZ 250 | 250 | 20,8 | 13,9 | 10,4 | 8,4 | 5,2 | 2,6 |
| TAZ 300 | 300 | 25,0 | 16,7 | 12,5 | 10,0 | 6,3 | 3,2 |
| TAZ 500 | 500 | 41,7 | 27,8 | 20,9 | 16,7 | 10,4 | 5,2 |

PACKING

In a box with screw, ring washer and 2 soft washers.

ORDERING PROCEDURE

SERIES
TAZ

MODEL
30 W

SECONDARY VOLTAGE
2 x 6 V

Inductors and transformers