

Power Splitter



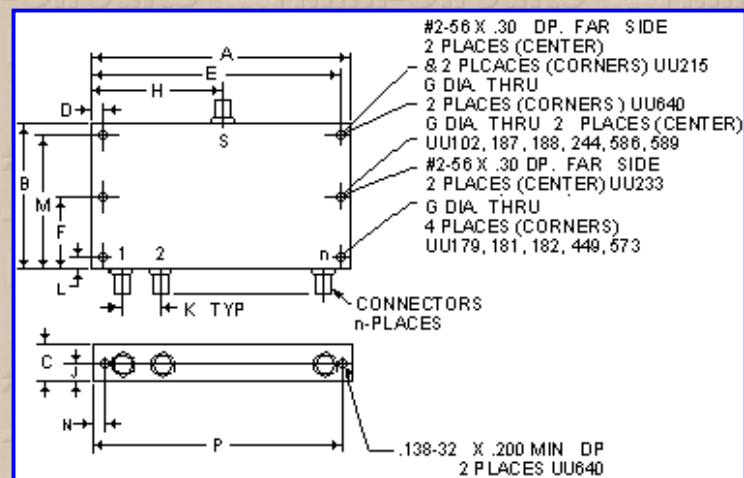
Notes:

- Non-catalog model. Please consult factory for price and delivery.
- General Quality Control Procedures and Environmental Specifications are given in [Mini-Circuits Guarantees Quality](#). Hi-Rel, MIL description are given in [Hi-Rel and MIL](#)
- Prices and Specifications subjects to change without notice.

ZB3PD1-ED10073/1 3 Way-0°

Frequency MHz	Isolation, dB						Insertion Loss, dB Above 4.8dB				Phase Unbalance Degrees			Amplitude Unbalance, dB			VSWR (:1)	
	L		M		U		L	M	U	L	M	U	L	M	U	S	OUT	
$f_L - f_U$	Typ.	Min.	Typ.	Min.	Typ.	Min.	Typ.	Max.	Typ.	Max.	Typ.	Max.	Max.	Max.	Max.	Typ.	Max.	
645-1000	32						1.20							1.20			1.20	

L=low range(f_L to $10f_L$) M=mid range($10f_L$ to $f_U/2$) U=upper range($f_U/2$ to f_U)



FREQ (MHz)	Insertion Loss (dB)			Amplitude Unbalance (dB)	Isolation (dB)			Phase Unbalance (Degrees)	FREQ (MHz)	VSWR			
	S-1	S-2	S-3		1-2	1-3	2-3			S	1	2	3
645.00	4.99	4.96	5.01	0.050	21.31	19.11	21.83	0.26	645.00	1.51	1.06	1.08	1.06
656.00	4.98	4.94	5.00	0.060	21.95	19.55	22.54	0.20	656.00	1.48	1.05	1.07	1.06
667.00	4.96	4.93	4.98	0.050	22.66	20.01	23.29	0.26	667.00	1.44	1.05	1.07	1.06
678.00	4.96	4.92	4.97	0.050	23.43	20.50	24.14	0.23	678.00	1.40	1.05	1.07	1.06
689.00	4.93	4.91	4.95	0.040	24.27	21.03	25.08	0.27	689.00	1.36	1.05	1.07	1.06
700.00	4.93	4.90	4.94	0.050	25.21	21.58	26.14	0.23	700.00	1.33	1.05	1.07	1.06
711.00	4.93	4.90	4.94	0.040	26.28	22.19	27.35	0.23	711.00	1.29	1.05	1.07	1.06
722.00	4.92	4.90	4.94	0.040	27.50	22.85	28.76	0.17	722.00	1.26	1.05	1.07	1.06
733.00	4.92	4.91	4.94	0.040	28.93	23.58	30.47	0.18	733.00	1.23	1.05	1.07	1.06
744.00	4.90	4.90	4.94	0.040	30.63	24.34	32.59	0.15	744.00	1.19	1.05	1.07	1.06
755.00	4.90	4.89	4.93	0.040	32.76	25.23	35.39	0.22	755.00	1.16	1.05	1.07	1.06
765.00	4.91	4.90	4.94	0.040	35.31	26.10	39.10	0.19	765.00	1.14	1.05	1.07	1.05
775.00	4.91	4.90	4.94	0.040	38.92	27.09	45.41	0.17	775.00	1.11	1.05	1.07	1.06
785.00	4.91	4.91	4.95	0.040	44.96	28.19	52.69	0.23	785.00	1.09	1.05	1.07	1.06
795.00	4.91	4.91	4.95	0.040	52.57	29.48	42.79	0.29	795.00	1.06	1.05	1.07	1.06
805.00	4.92	4.93	4.96	0.040	43.13	31.00	37.60	0.20	805.00	1.05	1.05	1.07	1.06
810.00	4.92	4.93	4.97	0.050	40.13	31.87	35.89	0.24	810.00	1.05	1.05	1.07	1.06
817.00	4.92	4.94	4.97	0.040	37.13	33.26	33.88	0.23	817.00	1.05	1.05	1.07	1.06
824.00	4.93	4.94	4.97	0.040	34.87	34.85	32.25	0.21	824.00	1.06	1.05	1.08	1.06
831.00	4.94	4.96	4.98	0.040	33.14	36.87	30.89	0.27	831.00	1.07	1.05	1.08	1.06
838.00	4.95	4.96	4.99	0.050	31.66	39.41	29.71	0.26	838.00	1.09	1.05	1.08	1.06
845.00	4.96	4.97	4.99	0.040	30.39	42.88	28.67	0.30	845.00	1.10	1.05	1.08	1.06
852.00	4.96	4.98	5.00	0.050	29.28	47.78	27.75	0.31	852.00	1.12	1.05	1.08	1.06
859.00	4.96	4.99	5.01	0.050	28.28	49.89	26.88	0.30	859.00	1.14	1.05	1.09	1.06
866.00	4.96	4.99	5.01	0.050	27.40	45.02	26.15	0.29	866.00	1.16	1.05	1.09	1.06
876.00	4.98	5.02	5.03	0.050	26.31	39.53	25.16	0.36	876.00	1.19	1.05	1.09	1.06
886.00	4.99	5.04	5.04	0.050	25.32	36.02	24.27	0.38	886.00	1.22	1.05	1.10	1.07
896.00	5.00	5.06	5.05	0.050	24.47	33.54	23.48	0.35	896.00	1.25	1.06	1.10	1.07
906.00	5.02	5.07	5.06	0.050	23.67	31.57	22.78	0.42	906.00	1.28	1.06	1.11	1.07
916.00	5.04	5.08	5.08	0.040	22.93	29.99	22.12	0.45	916.00	1.31	1.06	1.11	1.07
926.00	5.05	5.08	5.09	0.030	22.26	28.66	21.50	0.42	926.00	1.35	1.06	1.11	1.08
936.00	5.08	5.12	5.12	0.040	21.66	27.52	20.94	0.41	936.00	1.38	1.07	1.12	1.08
946.00	5.09	5.14	5.12	0.050	21.10	26.50	20.42	0.48	946.00	1.41	1.07	1.12	1.08
956.00	5.09	5.15	5.13	0.060	20.56	25.58	19.91	0.46	956.00	1.45	1.07	1.13	1.09
966.00	5.09	5.17	5.13	0.080	20.07	24.74	19.43	0.47	966.00	1.48	1.08	1.14	1.10
972.00	5.11	5.18	5.14	0.080	19.80	24.30	19.17	0.55	972.00	1.51	1.08	1.14	1.10
978.00	5.12	5.20	5.15	0.080	19.53	23.88	18.92	0.59	978.00	1.53	1.09	1.14	1.10
984.00	5.12	5.21	5.16	0.090	19.26	23.46	18.66	0.60	984.00	1.55	1.09	1.15	1.11
990.00	5.14	5.22	5.16	0.080	19.02	23.08	18.42	0.63	990.00	1.57	1.09	1.15	1.11
996.00	5.15	5.23	5.17	0.080	18.78	22.71	18.20	0.63	996.00	1.60	1.09	1.15	1.11
1000.00	5.16	5.23	5.18	0.070	18.62	22.48	18.04	0.63	1000.00	1.61	1.10	1.16	1.11

Case Style - UU188 (inch,mm) weight: 260 grams.

A	B	C	D	E	F	G	H	J
3.50	2.13	.88	.150	3.350	1.06	.125	1.75	.44
88.900	54.102	22.352	3.810	85.090	26.924	3.175	44.450	11.176
K	L	M	N	P	Q	R	S	T
.89								
22.606								

Tolerance: .x ± .1 .xx ± .03 .xxx ± .015 inch.

Material and Finish:

Case material: aluminum alloy. Finish: iridite per MIL-C-5541

Connectors:

Connectors: Please specify female type N or SMA.



INTERNET <http://www.minicircuits.com>
P.O. Box 350166, Brooklyn, New York 11235-0003 (718) 934-4500 Fax (718) 332-4661

Distribution Centers NORTH AMERICA 800-654-7949 • 417-335-5935 • Fax 417-335-5945 • EUROPE • 44-1252-832600 • Fax 44-1252-837010

ISO 9001 CERTIFIED

[Back](#)

i2 Technologies US, Inc.

HTML Pages converted to PDF Document

This document contain component information from the manufacturer's website which are not available in a revision controlled document from the manufacturer. To facilitate the addition of these parts into the Electronics Database, we are converting the HTML pages related to that part, from the manufacturer's website into Adobe PDF format. The contents of this document is based on the information provided on the manufacturer's website, therefore the information may have been changed by the manufacturer since this was created.

