

STRAIGHT PLUG

with conduit adapter

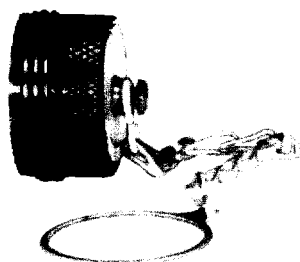
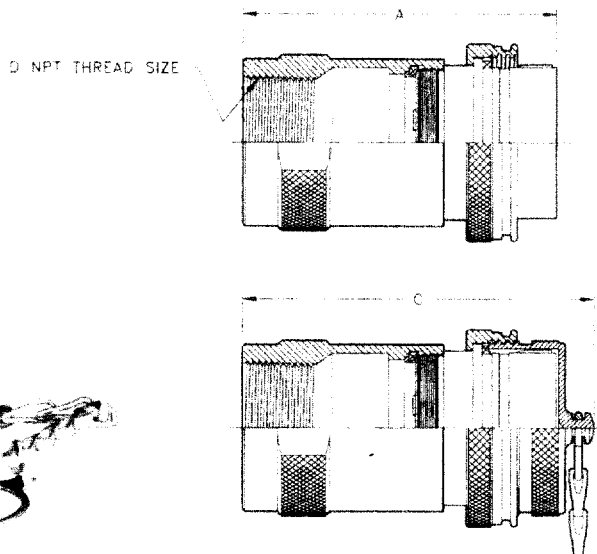
(for flexible conduit fittings)



Types
ZPLT
ZPET

To specify a complete plug, substitute the Dash No. of the contact insert selected, for the Asterisk (*) in the Catalog No. below. NOTE: The jack nut should not be used with current rupture insert configurations.

Shell Size	Size Conduit	Cat. No. With Standard Coupling Nut	DIMENSIONS				Cat. No. With Jack Coupling Nut
			A	B	C	D	
12	3/4	ZPLT-2 12-*	4 1/4	1 13/16	4 27/32	3/4	ZPLTJ-2 12-*
16	1 1/4	ZPLT-4 16-*	4 3/8	2 5/16	4 31/32	1 1/4	ZPLTJ-4 16-*
20	1 1/2	ZPLT-5 20-*	4 1/2	2 13/16	5 3/32	1 1/2	ZPLTJ-5 20-*
C20	1 1/2	ZPLT-5 C20-*	5	2 13/16	5 19/32	1 1/2	ZPLTJ-5 C20-*
24	2	ZPLT-6 24-*	4 5/8	3 5/16	5 7/32	2	ZPLTJ-6 24-*
C24	2	ZPLT-6 C24-*	5 1/8	3 5/16	5 23/32	2	ZPLTJ-6 C24-*
28	2 1/2	ZPLT-7 28-*	5 3/32	3 13/16	5 11/16	2 1/2	ZPLTJ-7 28-*
C28	2 1/2	ZPLT-7 C28-*	5 19/32	3 13/16	6 2/16	2 1/2	ZPLTJ-7 C28-*



To specify plug with environmental cover, change third letter in Part No. "L" to "E". Example: ZPLT changes to ZPET.

STRAIGHT MALE PLUG

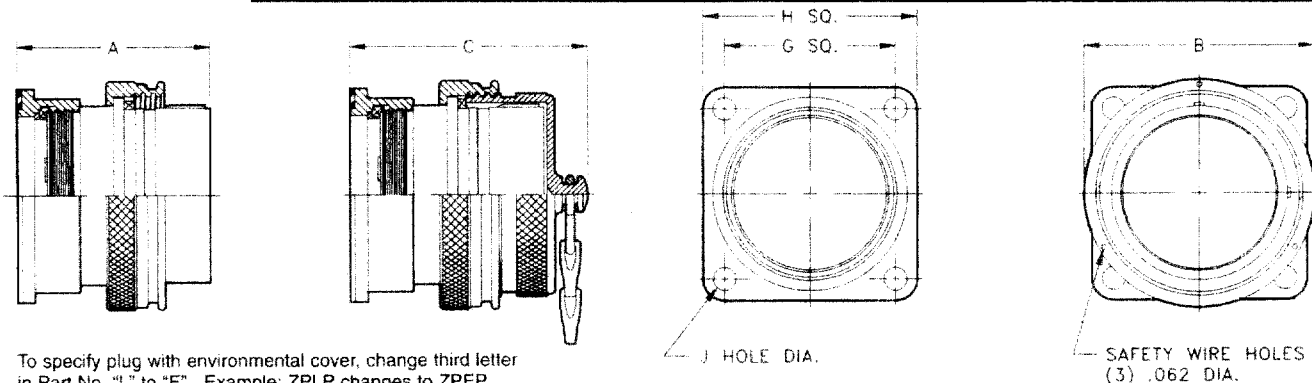
panel mount



Types
ZPLP
ZPEP

To specify a complete plug, substitute the Dash No. of the contact insert selected, for the Asterisk (*) in the Catalog No. below. NOTE: The jack nut should not be used with current rupture insert configurations.

Shell Size	Open Back	Cat. No. With Standard Coupling Nut	DIMENSIONS						Cat. No. With Jack Coupling Nut
			A	B	C	G	H	J	
12	Use with or without Potting Sleeve	ZPLP-12-*	2 3/8	1 13/16	2 31/32	1 17/64	1 5/8	3/16	ZPLPJ-12-*
16		ZPLP-16-*	2 13/32	2 5/16	3	1 11/16	2 1/8	7/32	ZPLPJ-16-*
20		ZPLP-20-*	2 7/16	2 13/16	3 1/32	2 3/32	2 5/8	9/32	ZPLPJ-20-*
C20		ZPLP-C20-*	2 15/16	2 13/16	3 17/32	2 3/32	2 5/8	9/32	ZPLPJ-C20-*
24		ZPLP-24-*	2 15/32	3 5/16	3 1/16	2 17/32	3 1/8	11/32	ZPLPJ-24-*
C24		ZPLP-C24-*	2 31/32	3 5/16	3 9/16	2 17/32	3 1/8	11/32	ZPLPJ-C24-*
28		ZPLP-28-*	2 15/32	3 13/16	3 1/16	3 1/32	3 3/4	11/32	ZPLPJ-28-*
C28		ZPLP-C28-*	2 31/32	3 13/16	3 9/16	3 1/32	3 3/4	11/32	ZPLPJ-C28-*



To specify plug with environmental cover, change third letter in Part No. "L" to "E". Example: ZPLP changes to ZPEP.