

**PLEASE CHECK WWW.MOLEX.COM FOR LATEST PART INFORMATION**

**Part Number:** [0192020056](#)  
**Status:** **Active**  
**Description:** NylaKrimp™ Butt Splice for 4 AWG Wire

**Documents:**

[Drawing \(PDF\)](#) [RoHS Certificate of Compliance \(PDF\)](#)

**Agency Certification**

CSA LR18689  
 UL E32244

**General**

Product Family Splices  
 Series [19202](#)  
 Crimp Quality Equipment Yes  
 Mil-Spec N/A  
 Product Name Butt, NylaKrimp™

**Physical**

Barrel Type Closed - Brazed  
 Flammability 94V-2  
 Insulation Nylon (PA)  
 Packaging Type Bag  
 Temperature Range - Operating -55°C to +105°C  
 Wire Insulation Diameter 10.92mm (.430") max  
 Wire Size AWG 4  
 Wire Size mm² 16.80 - 26.60

**Electrical**

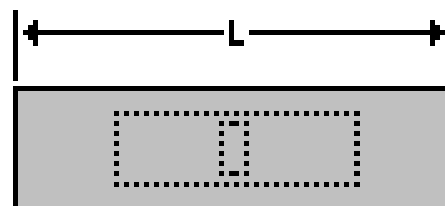
Voltage - Maximum 300V

**Material Info**

Old Part Number F-764

**Reference - Drawing Numbers**

Sales Drawing CD71003



Series

image - Reference only

**EU RoHS**

**ELV and RoHS  
 Compliant**

**REACH SVHC**

Not Reviewed

**Halogen-Free**

**Status**

**Not Reviewed**

**China RoHS**



**Need more information on product  
 environmental compliance?**

Email [productcompliance@molex.com](mailto:productcompliance@molex.com)  
 For a multiple part number RoHS Certificate of  
 Compliance, [click here](#)

Please visit the [Contact Us](#) section for any  
 non-product compliance questions.

**Search Parts in this Series**

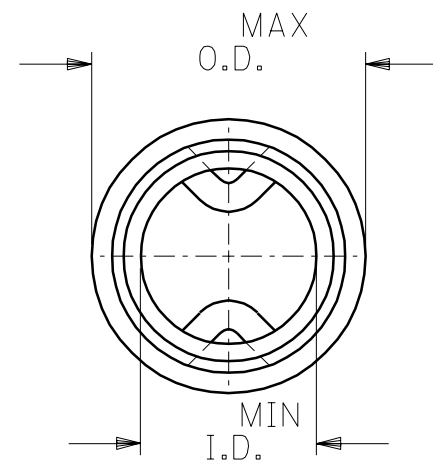
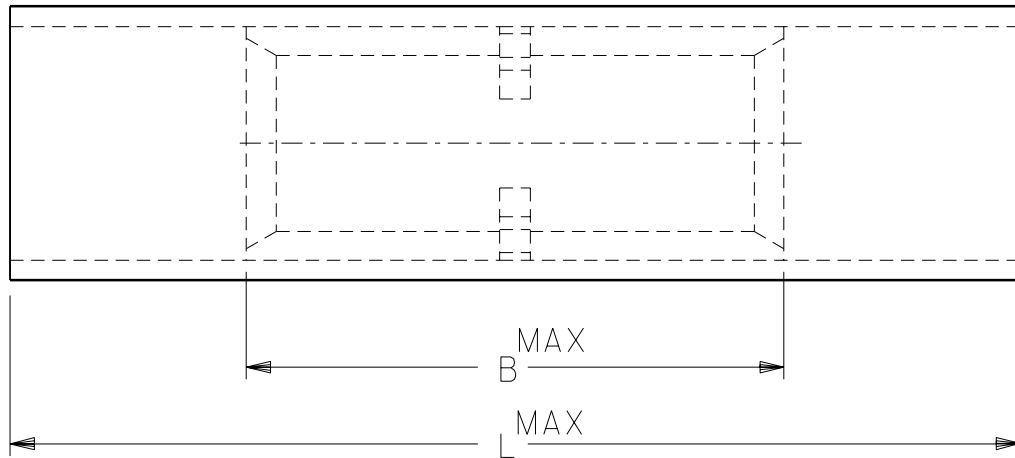
[19202Series](#)

**Application Tooling | [FAQ](#)**

*Tooling specifications and manuals are  
 found by selecting the products below.  
 Crimp Height Specifications are then  
 contained in the Application Tooling  
 Specification document.*

**Global**

| Description   | Product #                  |
|---|----------------------------|
| Putt Pump Dieless<br>Head System                          | <a href="#">0192860065</a> |
| Manual Putt Pump<br>Hydraulic System,<br>Die set required | <a href="#">0192860117</a> |
| Die Set (large) for<br>the HHLS Hydraulic<br>Crimper      | <a href="#">0192890007</a> |
| Hand Crimp Tool   | <a href="#">0640013900</a> |



| PART NO. | WIRE SIZE | INSULATION COLOR | MAX. WIRE INSUL. DIA. | "B" MAX. | "L" MAX. | "I.D." MIN. | "O.D." MAX. |
|----------|-----------|------------------|-----------------------|----------|----------|-------------|-------------|
| D-754    | 8         | RED              | .265                  | .864     | 1.473    | .165        | .395        |
| E-762    | 6         | BLUE             | .342                  | 1.045    | 1.785    | .230        | .480        |
| F-764    | 4         | YELLOW           | .429                  | 1.155    | 2.035    | .277        | .579        |
| G-772    | 2         | RED              | .509                  | 1.280    | 2.285    | .357        | .660        |
| H-783    | 1/0       | BLUE             | .590                  | 1.440    | 2.673    | .439        | .762        |
| J-788    | 2/0       | YELLOW           | .670                  | 1.440    | 2.727    | .496        | .838        |
| K-793    | 3/0       | RED              | .750                  | 1.540    | 3.045    | .554        | .922        |
| L-778    | 4/0       | BLUE             | .830                  | 1.540    | 3.045    | .621        | 1.028       |

DIMENSIONS SHOWN (METRIC) INCH  
UNLESS OTHERWISE SPECIFIED  
TOLERANCES: ANGULAR ± 1/2°

REVISE ONLY ON CAD SYSTEM

|         |   |   |
|---------|---|---|
| 3 PLACE | ± | ± |
| 2 PLACE | ± | ± |
| 1 PLACE | ± | ± |

RCM

DRAFT WHERE APPLICABLE MUST REMAIN WITHIN DIMENSIONS

**molex ETC INC.**  
PINELLAS PARK, FLA. 33781 U.S.A.

SHEET NO. DATE  
12 / 14 / 94

PART NO. SEE TABLE

DRWG. NO. CD-71003

NYLAKRIMP BUTT CONNECTORS

DRWG. BY APP'D. BY  
CHK'D. BY SCALE NO: NE

FILE NAME CD71003

THIS DRAWING CONTAINS INFORMATION THAT IS PROPRIETARY TO MOLEX-ETC INC. AND SHOULD NOT BE USED WITHOUT WRITTEN PERMISSION.

DIV. SIZE A