

Coaxial Low Noise Amplifier

ZQL-900LNW+ ZQL-900LNW

50Ω 800 to 900 MHz

Features

- very low noise, 1.6 dB max.
- high IP3, +35 dBm typ.
- rugged, shielded case

Applications

- UHF
- communications systems
- cellular



CASE STYLE: CW686

Connectors	Model	Price	Qty.
SMA	ZQL-900LNW(+)	\$229.00 ea.	(1-9)

+ RoHS compliant in accordance with EU Directive (2002/95/EC)

The +Suffix identifies RoHS Compliance. See our web site for RoHS Compliance methodologies and qualifications.

Low Noise Amplifier Electrical Specifications

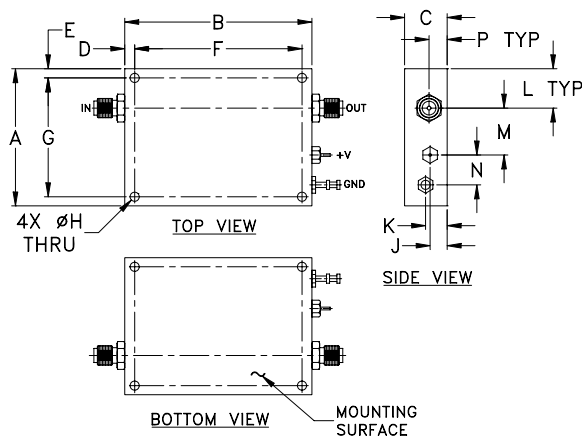
MODEL NO.	FREQUENCY (MHz)		NOISE FIGURE (dB)	GAIN (dB)		MAXIMUM POWER (dBm)		INTERCEPT POINT (dBm)	VSWR (:1) Typ.		DC POWER	
	f_L	f_U		Max.	Min.	Flatness Max.	Output (1 dB Compr.) Typ.		Input (no damage)	IP3 Typ.	In	Out
ZQL-900LNW(+)	800	900	1.6	13	±1.6	+21	+10	+35	1.2	1.1	15	160

Open load is not recommended, potentially can cause damage.
With no load derate max input power by 20 dB

Maximum Ratings

Operating Temperature	-40°C to 70°C
Storage Temperature	-55°C to 100°C
DC Voltage	+17V Max.

Outline Drawing



Outline Dimensions (inch/mm)

A	B	C	D	E	F	G	H	J	K	L	M	N	P	wt
1.77	2.42	.55	.13	.12	2.165	1.535	.126	.22	.28	.51	.61	.39	0.22	grams
44.96	61.47	13.97	3.30	3.05	55.0	39.0	3.20	5.59	7.11	12.95	15.49	9.91	5.59	71.0

Mini-Circuits®
ISO 9001 ISO 14001 AS 9100 CERTIFIED

minicircuits.com

P.O. Box 350166, Brooklyn, New York 11235-0003 (718) 934-4500 Fax (718) 332-4661 For detailed performance specs & shopping online see Mini-Circuits web site



The Design Engineers Search Engine Provides ACTUAL Data Instantly From MINI-CIRCUITS At: www.minicircuits.com

IF/RF MICROWAVE COMPONENTS

REV. A
M122422
ZQL-900LNW
090413
Page 1 of 2

Typical Performance Data/Curves

FREQUENCY (MHz)	GAIN (dB)	DIRECTIVITY (dB)	VSWR (:1)		NOISE FIGURE (dB)	POUT at 1 dB COMPR. (dBm)
	15V		IN	OUT		
800.00	17.28	6.50	1.14	1.17	0.82	22.93
811.10	17.11	6.60	1.13	1.17	0.82	22.86
822.20	16.93	6.80	1.12	1.17	0.83	22.89
833.30	16.73	6.90	1.12	1.17	0.85	23.00
844.40	16.53	7.10	1.12	1.17	0.87	22.91
855.60	16.31	7.30	1.12	1.16	0.85	22.98
866.70	16.09	7.50	1.11	1.16	0.89	22.87
877.80	15.90	7.70	1.11	1.15	0.88	22.99
888.90	15.71	7.90	1.11	1.15	0.90	22.94
900.00	15.52	8.20	1.11	1.14	0.90	23.00

