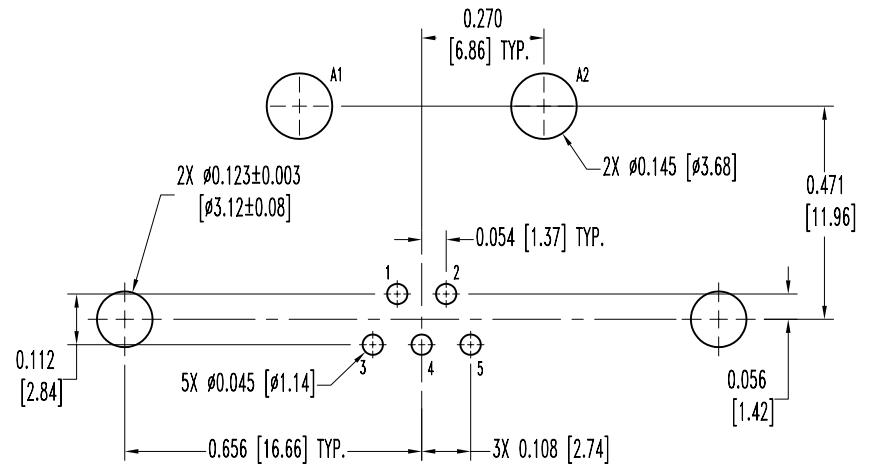
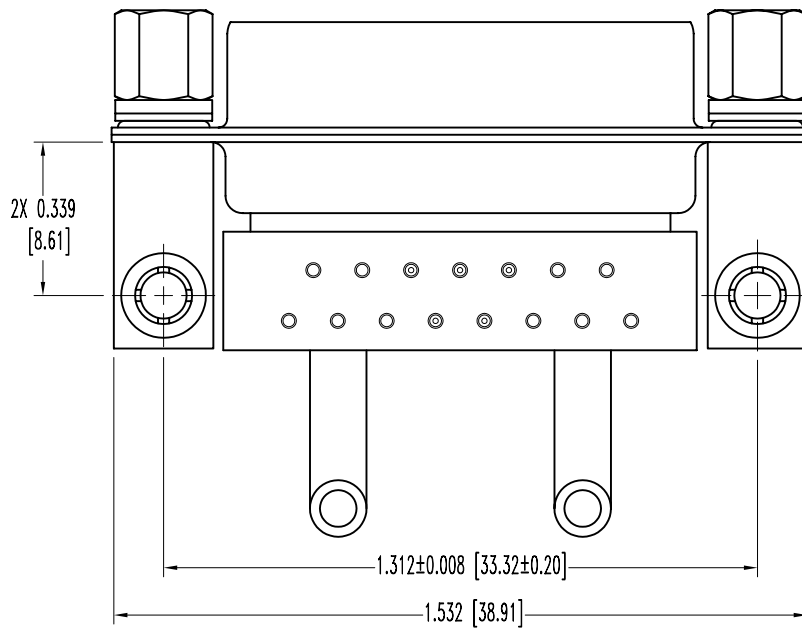
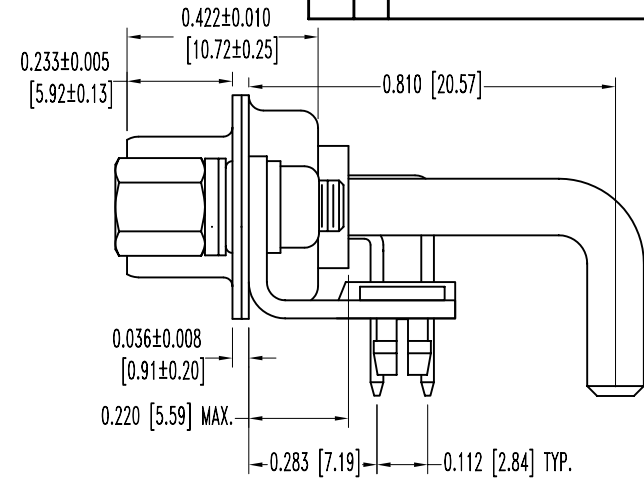
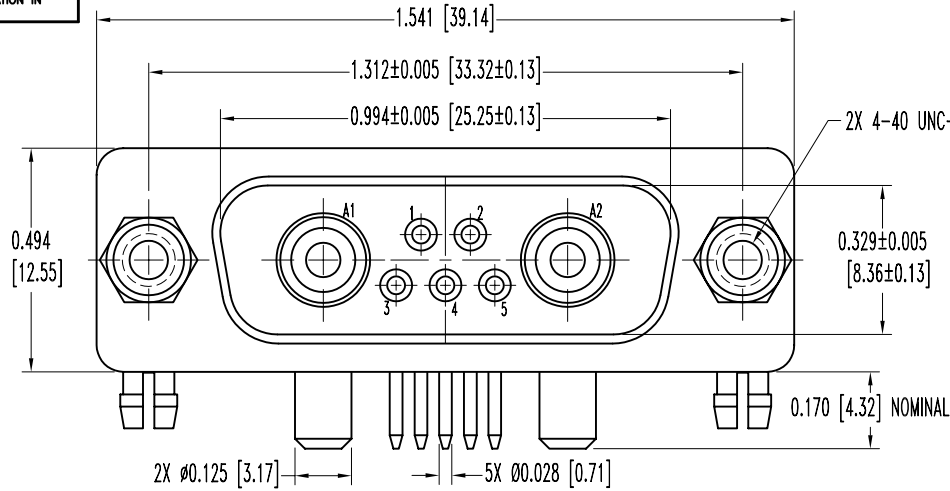


SK5483

POSITRONIC INDUSTRIES BELIEVES THE DATA ON THIS DRAWING TO BE RELIABLE. SINCE THE TECHNICAL INFORMATION IS GIVEN FREE OF CHARGE, THE USER EMPLOYS SUCH INFORMATION AT HIS OWN DISCRETION AND RISK. POSITRONIC INDUSTRIES ASSUMES NO RESPONSIBILITY FOR RESULTS OBTAINED OR DAMAGES INCURRED FROM USE OF SUCH INFORMATION IN WHOLE OR IN PART.

DATE	REV	REVISION RECORD	APP	DR	CK
5-20-04	NC	ECO 22460		ME	



NOTES:

1. MATERIALS AND FINISHES:

- INSULATOR: GLASS FILLED POLYESTER PER MIL-M-24519 UL 94V-0, COLOR: BLUE.
- SIGNAL CONTACTS: PRECISION MACHINED BRASS ALLOY WITH GOLD FLASH OVER NICKEL.
- POWER CONTACTS: MACHINED OF HIGH CONDUCTIVITY COPPER ALLOY GOLD FLASH OVER NICKEL.
- SHELLS: STEEL WITH ZINC PLATE DICHROMATE SEAL.
- MOUNTING BRACKETS: BRASS WITH ZINC PLATE DICHROMATE SEAL.
- PUSH ON FASTENERS: BERYLLIUM COPPER WITH TIN PLATE.
- JACKSCREWS: STEEL WITH ZINC PLATE AND DICHROMATE SEAL.

2. ELECTRICAL CHARACTERISTICS:

- SIGNAL CONTACTS:

- CONTACT CURRENT RATING: 7.5 AMPERES NOMINAL.
- INITIAL CONTACT RESISTANCE: 0.008 OHMS MAXIMUM.
- POWER CONTACTS:
- CONTACT CURRENT RATING: 30 AMPERES NOMINAL.
- INITIAL CONTACT RESISTANCE: 0.005 OHMS MAXIMUM.
- CONNECTOR:
- INSULATOR RESISTANCE: 5 G OHMS.
- WORKING VOLTAGE: 300 V r.m.s.

- 3. TEMPERATURE RANGE: -55°C TO +125°C.
- 4. DIMENSIONS ARE IN INCHES [MILLIMETERS].

PRINTED BOARD CONTACT HOLE PATTERN

		<b>POSITRONIC INDUSTRIES INC.</b> www.connectpositronic.com	
	<b>CBD SERIES</b>	SCALE <b>N.T.S.</b>	DRAWN BY <b>M. ENEA</b>
DECIMAL TOL. <b>± 0.015 [0.38]</b>	TITLE <b>CBD7W2M57R8NT20</b>		
ANGULAR TOL. <b>± 5°</b>	DATE <b>5-20-04</b>	DRAWING NUMBER <b>SK5483</b>	REV. <b>NC</b>