



# 3/8" Relampable Panel LED Lamps

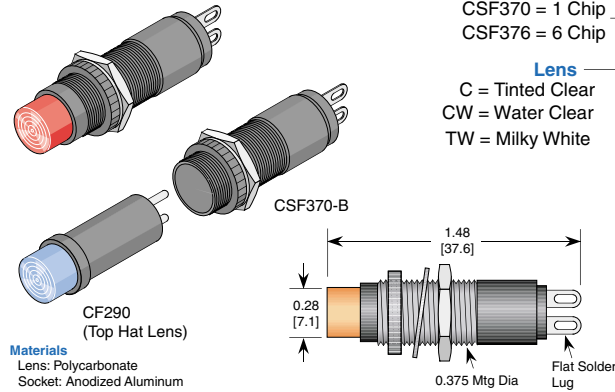
## Features

- 3/8" (9.5mm) Panel Mtg Diameter
- Industry Standard Bi-Pin Cartridge and Socket
- Long Life 100,000+ hrs (10 years)
- Solid-State, High Shock/Vibration Resistant
- Maintenance Free, Easy Installation
- Meets MIL-L-3661B. Conforms to MS18235,6,7,8
- Low Power Consumption, High Intensity
- Major Power Savings
- Major Reduction in Heat Generation
- Built-in Current Limiting Resistor

## Options

- Special Voltages
- Sunlight-Visible Super Bright or High-Efficiency LEDs
- Bi-Colors, Tri-Colors, RGB, IR
- RFI/EMI, Splashproof
- Flashing/Blinking

### 3/8" (9.5mm) Top Hat/Cylindrical Lens



**Series**  
CSF370 = 1 Chip  
CSF376 = 6 Chip

**CSF370 C R3K - 5V - B**

**Lens**  
C = Tinted Clear  
CW = Water Clear  
TW = Milky White

#### LED Color

#### 1 Chip (Super Intensity)

- R3K = SP Red
- O3K = SP Orange
- Y3K = SP Yellow
- IW2K = Inc White
- W6K = C. White
- G1K = UL Green
- AG6K = A. Green
- B1K = SP Blue

#### 6 Chip (Std Intensity)

- R7 = UL Red
- R6 = HE Red
- O6 = Orange
- Y6 = Yellow
- W6 = P. Yellow
- LY6 = L. Yellow
- G6 = HE Green
- PG6 = P. Green

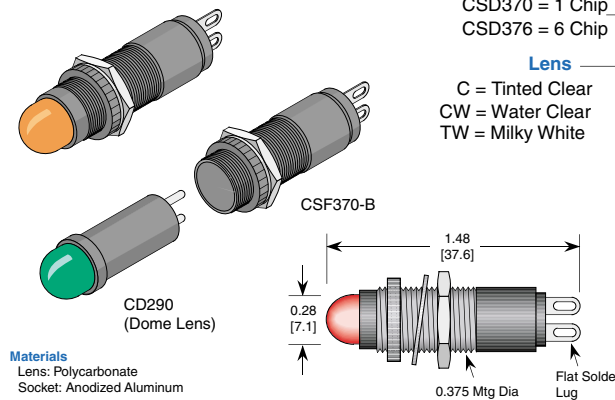
#### Std. Operating Voltage

DC	AC
2Vf	120VAC
3.5Vf	
3.6V	
5/6V	
12/14V	
24V	
28V	

#### Options

- B = Black Bezel
- BP = Bi-Polar (AC/DC) Black Bezel

### 3/8" (9.5mm) Dome/Stove Pipe Lens



**Series**  
CSD370 = 1 Chip  
CSD376 = 6 Chip

**CSD370 C O3K - 5V - B**

**Lens**  
C = Tinted Clear  
CW = Water Clear  
TW = Milky White

#### LED Color

#### 1 Chip (Super Intensity)

- R3K = SP Red
- O3K = SP Orange
- Y3K = SP Yellow
- IW2K = Inc White
- W6K = C. White
- G1K = UL Green
- AG6K = A. Green
- B1K = SP Blue

#### 6 Chip (Std Intensity)

- R7 = UL Red
- R6 = HE Red
- O6 = Orange
- Y6 = Yellow
- W6 = P. Yellow
- LY6 = L. Yellow
- G6 = HE Green
- PG6 = P. Green

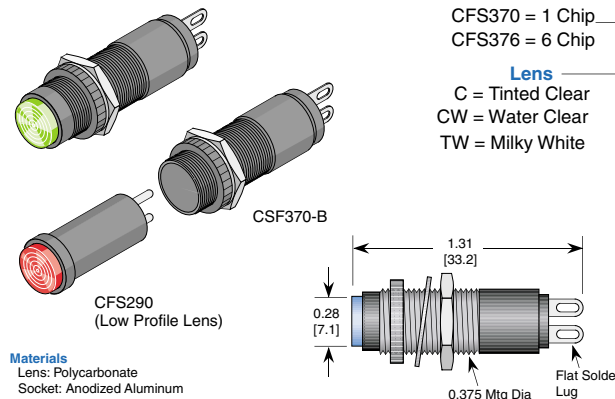
#### Std. Operating Voltage

DC	AC
2Vf	120VAC
3.5Vf	
3.6V	
5/6V	
12/14V	
24V	
28V	

#### Options

- B = Black Bezel
- BP = Bi-Polar (AC/DC) Black Bezel

### 3/8" (9.5mm) Low Profile Flat Lens



**Series**  
CFS370 = 1 Chip  
CFS376 = 6 Chip

**CFS370 C AG6K - 5V - B**

**Lens**  
C = Tinted Clear  
CW = Water Clear  
TW = Milky White

#### LED Color

#### 1 Chip (Super Intensity)

- R3K = SP Red
- O3K = SP Orange
- Y3K = SP Yellow
- IW2K = Inc White
- W6K = C. White
- G1K = UL Green
- AG6K = A. Green
- B1K = SP Blue

#### 6 Chip (Std Intensity)

- R7 = UL Red
- R6 = HE Red
- O6 = Orange
- Y6 = Yellow
- W6 = P. Yellow
- LY6 = L. Yellow
- G6 = HE Green
- PG6 = P. Green

#### Std. Operating Voltage

DC	AC
2Vf	120VAC
3.5Vf	
3.6V	
5/6V	
12/14V	
24V	
28V	

#### Options

- B = Black Bezel
- BP = Bi-Polar (AC/DC) Black Bezel