

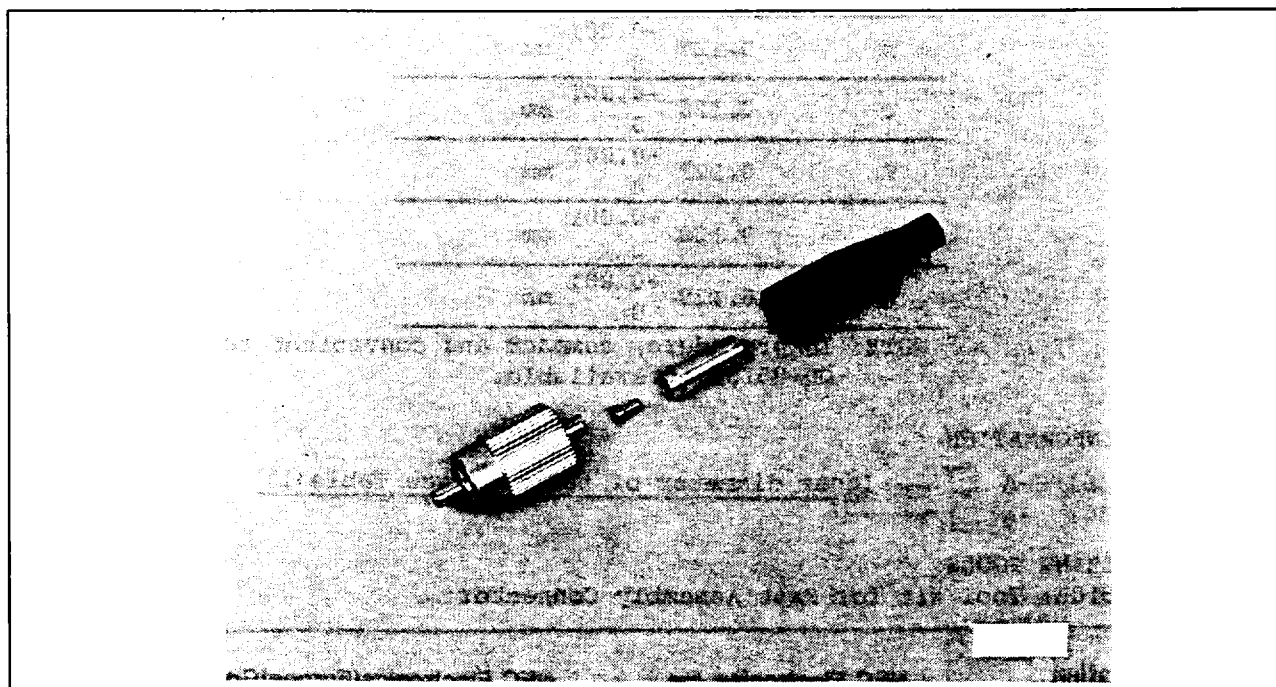
## Fiber Optic Devices

OD-9361PC-  (PC Type)    OD-9362 PC-  (PC Type)  
OD-9361-                                     OD-9362-   
**Fast Assembly FC Connector**

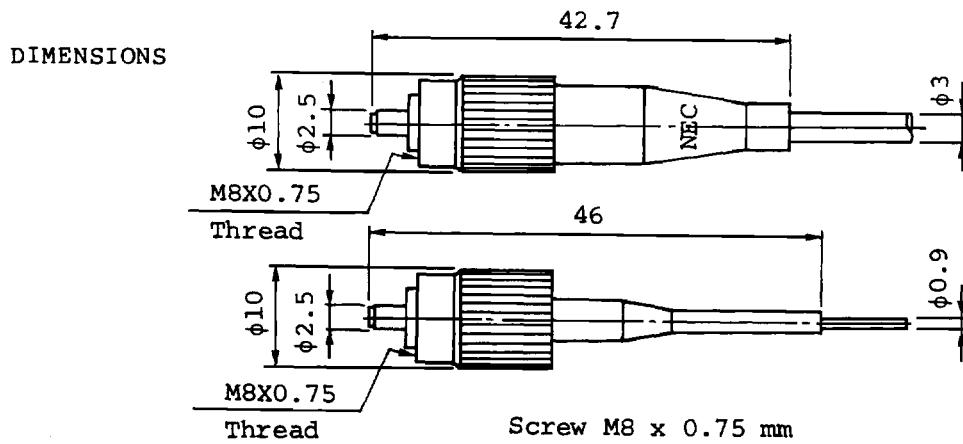
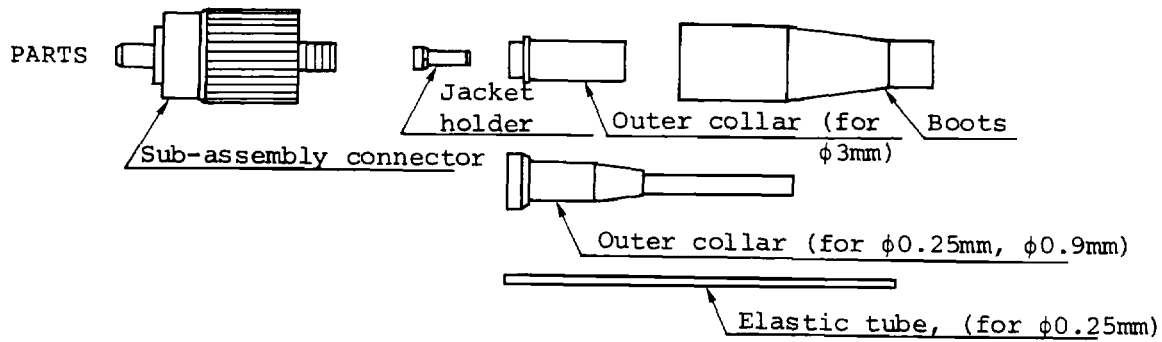
OD-9361PC: GI 50/125, PC type  
OD-9361 : GI 50/125, Flat type  
OD-9362PC: GI 62.5/125, PC type  
OD-9362 : GI 62.5/125, Flat type

### FEATURES

- No Polishing for assembly.
- Very short assembly time within 5 minutes
- Very easy assembly procedure.
- Typical inserion loss is 0.3 dB (PC type)/0.6 dB (Flat type).
- Typical return loss is 35 dB (PC type)



OD-9361PC  
OD-9361



Ferrule diameter  $\phi 2.499 \pm 0.001 \text{ mm}$   
 Fiber core concentricity  $\leq 3 \mu\text{m}$

Applicable fiber cables are  $\phi 0.25\text{mm}$ ,  $\phi 0.9\text{mm}$  buffered fiber and  $\phi 3\text{mm}$  cable.

Table 1

Type	Inner diameter of ferrule
D	0.125 $\begin{matrix} +0.001 \\ 0 \end{matrix}$ mm
E	0.126 $\begin{matrix} +0.001 \\ 0 \end{matrix}$ mm
F	0.127 $\begin{matrix} +0.001 \\ 0 \end{matrix}$ mm
G	0.128 $\begin{matrix} +0.001 \\ 0 \end{matrix}$ mm
H	0.129 $\begin{matrix} +0.001 \\ 0 \end{matrix}$ mm

NOTE: In procedure, compact and convenient tool kit OD-9510B is available.

ORDERING INFORMATION

OD-9361PC-A  ← Inner diameter of ferrule (see Table 1)  
 OD-9361 -A  ←

CONNECTORIZING TOOLS

OD-9510B: Tool kit for Fast Assembly Connector

**NEC** NEC Corporation

NEC Building  
 7-1 Shiba Gochome, Minato-ku  
 Tokyo 108-01, Japan  
 Tel: Tokyo 3454-1111  
 Cable Address: NEC TOKYO  
 Telex Address: NECTOK J22886

NEC Electronics, Inc.

401 Ellis Street, P.O. Box 7241  
 Mountain View, California 94039, U.S.A.  
 Tel: 415-960-6000  
 Telex: 3715792 NECEL MTNVW  
 Fax: 415-096-6000

NEC Electronics(Europe)GmbH  
 NEC Electronics(Germany)GmbH

Oberather Str. 4,  
 4000 Dusseldorf 30 West Germany  
 Tel: 211-650301  
 Telex: 858-996-NE D  
 Fax: 211-650301  
 211-996-0 NE D

FO-0028  
 9108  
 Printed in Japan