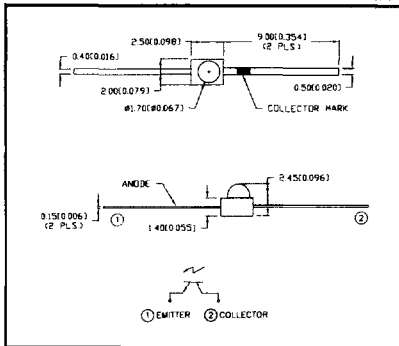


OED-STA224C40

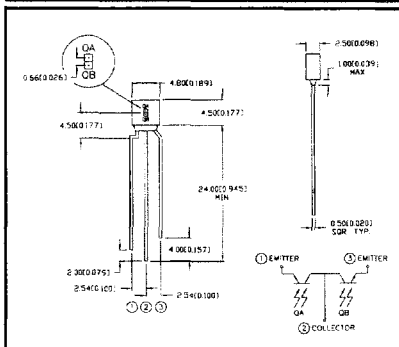


Package Style	Lens	Limits of Safe Operation			I _{CEO} @ 10 V _{CEO} (nA) Max
		V _{CEO} (V) Max	PC (mW) Max	t-opr (°C)	
Axial Lead Frame	Clear Epoxy	30	50	-20 ~ + 80	100

I _c (mA) @ EV ~ 1000 Lx				λ _p (nm) Typ	Δ θ deg Typ	λ (nm)	tr/ff @ V _{EC} 5V I _c 1mA
Min	Typ	Max	V _{CE} (V)				
—	6.0	—	3.0	900	±20	600 ~ 1050	15/15 μS

SIDE SENSING / RIGHT ANGLE PHOTOTRANSISTORS

OED-ST-391T

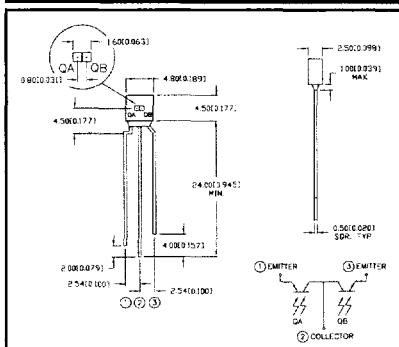


DUAL CHIP

Package Style	Lens	Limits of Safe Operation			I _{CEO} @ 10 V _{CEO} (nA) Max
		V _{CEO} (V) Max	PC (mW) Max	t-opr (°C)	
Right Angle 3 Leads	Black Epoxy	30	75	-20 ~ + 70	100

I _c (mA) @ EV ~ 1000 Lx				λ _p (nm) Typ	Δ θ deg Typ	λ (nm)	tr/ff @ V _{EC} 5V I _c 1mA
Min	Typ	Max	V _{CE} (V)				
0.5	—	—	10.0	900	±60	600 ~ 1050	15/15 μS

OED-ST-392T

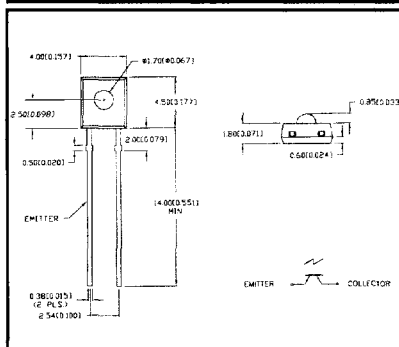


DUAL CHIP

Package Style	Lens	Limits of Safe Operation			I _{CEO} @ 10 V _{CEO} (nA) Max
		V _{CEO} (V) Max	PC (mW) Max	t-opr (°C)	
Right Angle 3 Leads	Black Epoxy	30	75	-20 ~ + 70	100

I _c (mA) @ EV ~ 1000 Lx				λ _p (nm) Typ	Δ θ deg Typ	λ (nm)	tr/ff @ V _{EC} 5V I _c 1mA
Min	Typ	Max	V _{CE} (V)				
0.8	—	—	10.0	900	±60	600 ~ 1050	15/15 μS

OED-ST-1745SN



Package Style	Lens	Limits of Safe Operation			I _{CEO} @ 10 V _{CEO} (nA) Max
		V _{CEO} (V) Max	PC (mW) Max	t-opr (°C)	
Right Angle 2 Leads	Clear Epoxy	30	100	-20 ~ + 100	100

I _c (mA) @ EV ~ 1000 Lx				λ _p (nm) Typ	Δ θ deg Typ	λ (nm)	tr/ff @ V _{EC} 5V I _c 1mA
Min	Typ	Max	V _{CE} (V)				
0.8	—	15	5.0	880	±25	500 ~ 1050	5/5 μS