

## TCXO, VC-TCXO

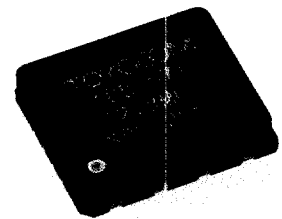
### TCO-570 Series

#### Features

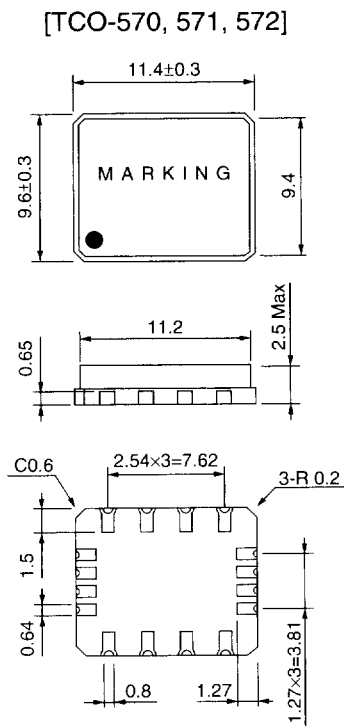
- Ultra miniature size (11.4 × 9.6 × 2.5mm height Max)
- Surface mountable and washable
- High stability ( $\pm 1\text{ppm} / -20\sim +75^\circ\text{C}$ )

#### Specifications

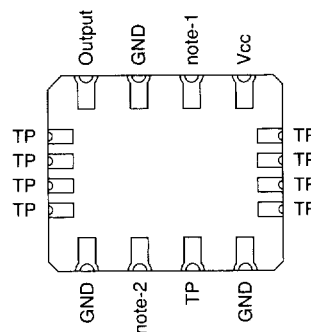
Type	TCXO	VC-TCXO	
	TCO-570	TCO-571	TCO-572
Frequency	12.8MHz, 13MHz, 14.4MHz, 15.36MHz, 16.8MHz		
Supply voltage	+3V $\pm$ 5%		
Current drain	1.5~2mA		
Output level	1Vp-p Min (Load:10k $\Omega$ // 10pF)		
Stability vs Temperature	$\pm 1\text{ppm Max} / -20^\circ\text{C} \sim +75^\circ\text{C}$		
Stability vs Supply voltage	$\pm 0.3\text{ppm Max} / +3\text{V} \pm 5\%$		
Stability vs Load	$\pm 0.2\text{ppm Max} / (10\text{k}\Omega \pm 1\text{k}\Omega // 10\text{pF} \pm 1\text{pF})$		
Aging	1ppm Max / year		
Tuning mode	Nothing	[1 way] $\pm 3\text{ppm Min} / +1.5\text{V} \pm 1\text{V}$	[2 way] $(\pm 3\text{ppm Min} / +1.5\text{V} \pm 1\text{V}) \times 2$



#### Outline Drawing [mm]



#### Pin connections

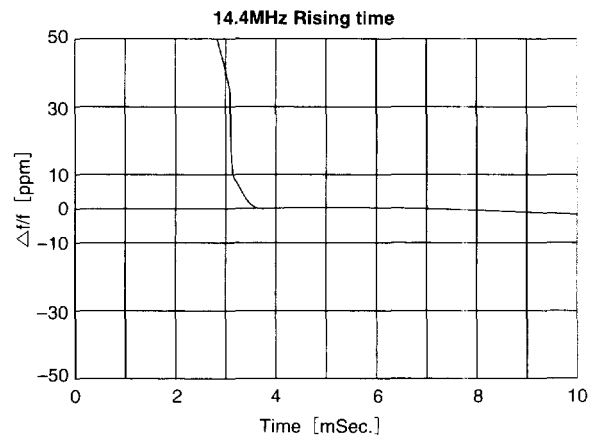
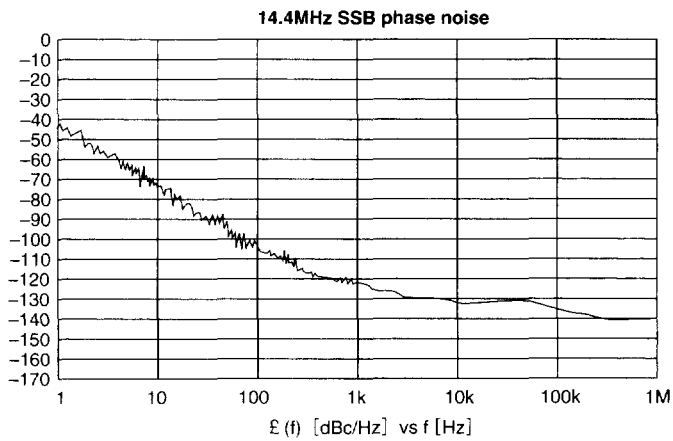


	TCO-570	TCO-571	TCO-572
note 1	TP	Vcont	Vcont
note 2	TP	TP	AFC

Do not connect "TP" leads with any other leads (also mutually).

## Electrical Data

### TCO-570



## Test Circuit

### TCO-570

