



SMT Power Inductors - DO3316H Series



- Soldered self-leaded construction for excellent solderability.
- Very low DCR values and excellent current handling

Designer's Kit C326 contains 3 of each part

Core material Ferrite

Core and winding loss See www.coilcraft.com/coreloss

Terminations RoHS compliant tin-silver-copper over copper. Other terminations available at additional cost.

Weight 0.95 – 1.25 g

Ambient temperature –40°C to +85°C with I_{rms} current, +85°C to +125°C with derated current

Storage temperature Component: –40°C to +125°C.
Packaging: –40°C to +80°C

Resistance to soldering heat Max three 40 second reflows at +260°C, parts cooled to room temperature between cycles

Moisture Sensitivity Level (MSL) 1 (unlimited floor life at <30°C / 85% relative humidity)

Failures in Time (FIT) / Mean Time Between Failures (MTBF)
38 per billion hours / 26,315,789 hours, calculated per Telcordia SR-332

Packaging 750 per 13" reel Plastic tape: 24 mm wide, 0.35 mm thick, 12 mm pocket spacing, 6.4 mm pocket depth

PCB washing Only pure water or alcohol recommended

Part number ¹	L ±20% ² (µH)	DCR max (Ohms)	SRF ³ typ (MHz)	Isat ⁴ (A)	Irms ⁵ (A)
DO3316H-121ML_	0.12	0.0015	200	28	17
DO3316H-331ML_	0.33	0.002	200	20	16
DO3316H-681ML_	0.68	0.005	200	13	12
DO3316H-102ML_	1.0	0.006	100	11	10
DO3316H-152ML_	1.5	0.008	90	9.0	9.0
DO3316H-222ML_	2.2	0.011	80	7.8	7.4
DO3316H-272ML_	2.7	0.012	65	7.0	6.6
DO3316H-332ML_	3.3	0.014	60	6.4	5.9
DO3316H-392ML_	3.9	0.015	50	5.9	5.3
DO3316H-472ML_	4.7	0.018	45	5.4	4.8

1. When ordering, please specify **termination** and **packaging** codes:

DO3316H-472M L D

Termination: L = RoHS compliant tin-silver over copper.

Special order: T = RoHS tin-silver-copper (95.5/4/0.5) or S = non-RoHS tin-lead (63/37).

Packaging: D = 13" machine-ready reel. EIA-481 embossed plastic tape, 750 parts per full reel.

B = Less than full reel. In tape, but not machine-ready.

To have a leader and trailer added (\$25 charge), use code letter D instead.

2. Inductance tested at 100 kHz, 0.1 V_{rms}, 0 Adc using an Agilent/HP 4263B LCR meter or equivalent.

3. SRF measured using Agilent/HP 8753D network analyzer.

4. DC current at which the inductance drops 10% (typ) from its value without current.

5. Current that causes a 40°C temperature rise from 25°C ambient.

6. Electrical specifications at 25°C.

Refer to Doc 362 "Soldering Surface Mount Components" before soldering.

SPICE models
ON OUR WEB SITE OR CD

Coilcraft[®]

Specifications subject to change without notice.
Please check our website for latest information.

Document 196-1 Revised 05/04/09

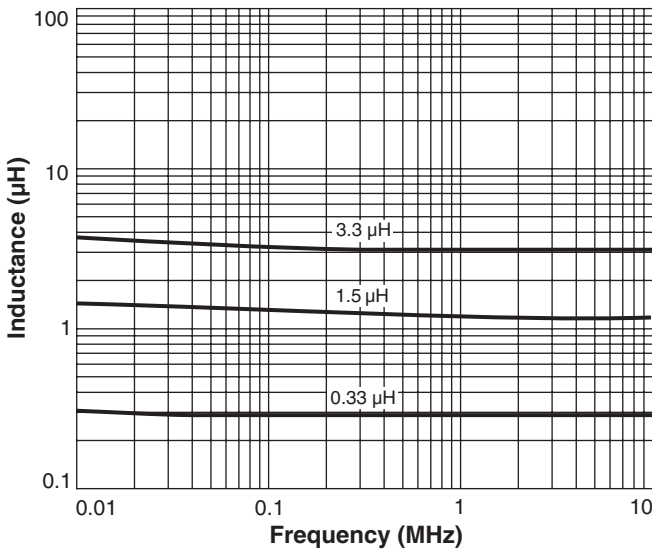
1102 Silver Lake Road Cary, Illinois 60013 Phone 847/639-6400 Fax 847/639-1469

E-mail info@coilcraft.com Web <http://www.coilcraft.com>

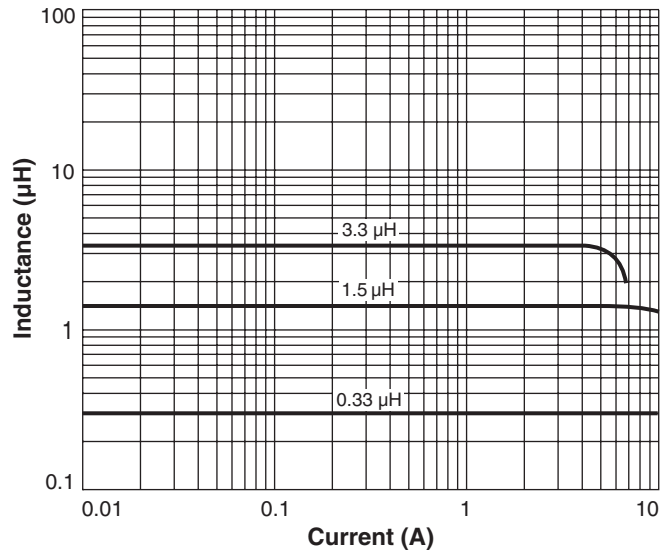


SMT Power Inductors - DO3316H Series

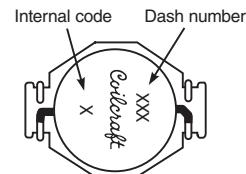
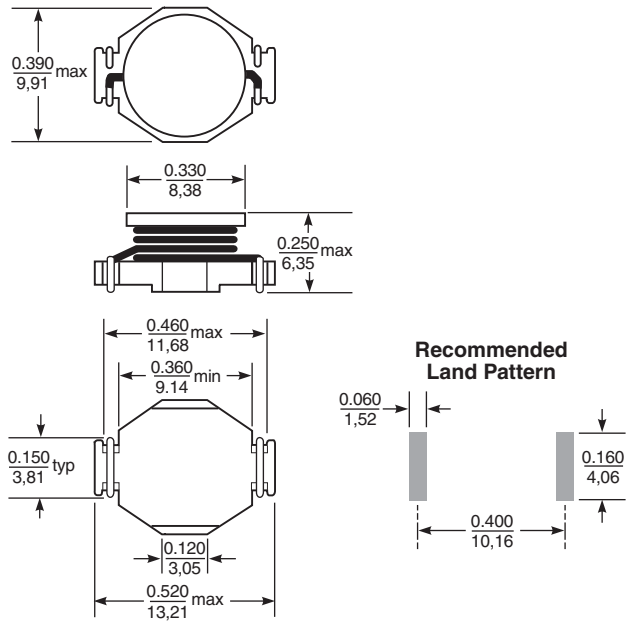
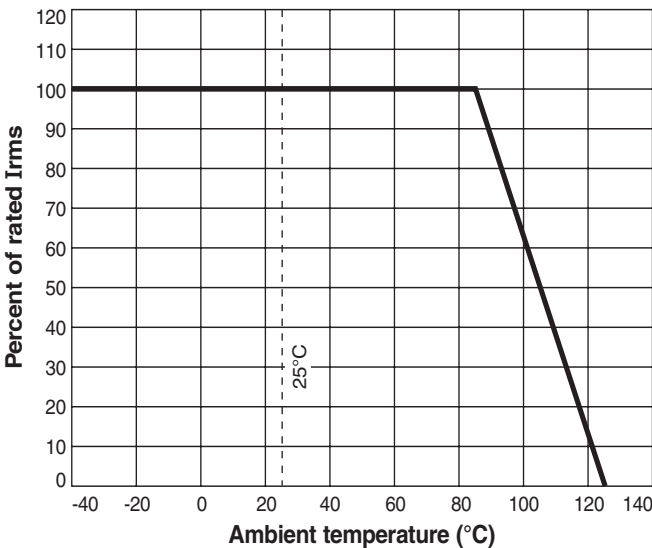
Typical L vs Frequency



Typical L vs Current



Irms Derating



Part marking since Feb. 2005. Parts manufactured prior to that date may have color dots. Visit www.coilcraft.com/colpowr.cfm for color dot marking details.

Dimensions are in $\frac{\text{inches}}{\text{mm}}$



Specifications subject to change without notice. Please check our website for latest information.

Document 196-2 Revised 05/04/09

1102 Silver Lake Road Cary, Illinois 60013 Phone 847/639-6400 Fax 847/639-1469

E-mail info@coilcraft.com Web <http://www.coilcraft.com>