

- For Detailed LED Data, See Discrete Section, MODEL 080

<b>1</b> Model	
PC080	Single Indicator
PC084	Four LED Array

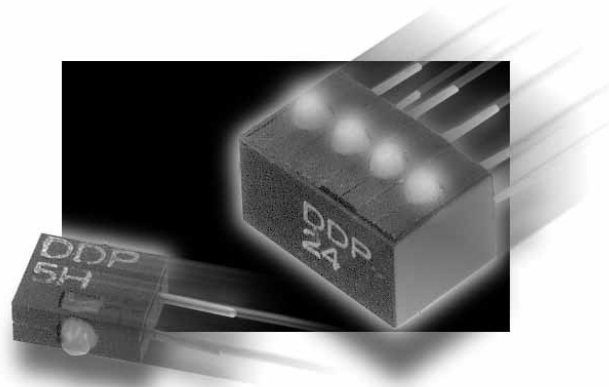
TO ORDER, FOLLOW THE EXAMPLE:

Select one BOLD component from each SHADED column in the tables below.		
<b>1</b> Model	<b>2</b> LED	<b>3</b> Voltage
PC080	-R	2

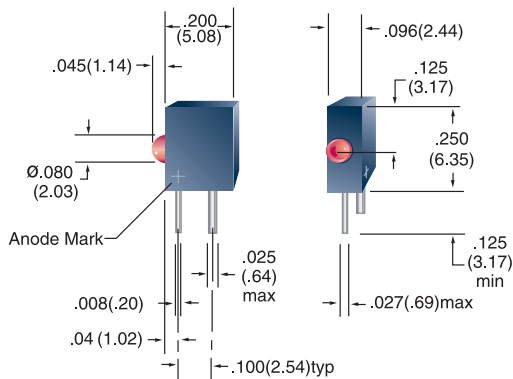
→ Part Number PC080-R2

<b>2</b> LED	Color	λpk (nm)
-R	RED	635
-A	AMB	583
-G	GRN	565

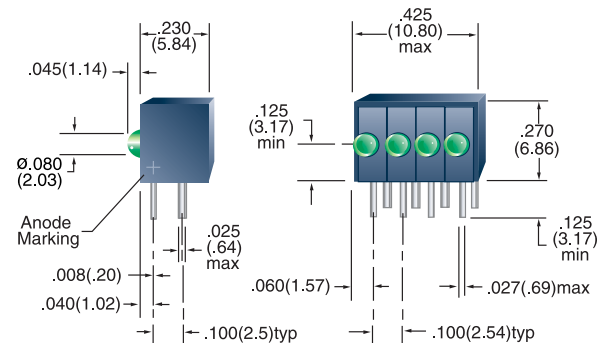
<b>3</b> Voltage (Ta=25°C)	Design Vf/If	Max Vf/If	Iv <sup>[1]</sup> (mcd)
2 <sup>[2]</sup>	External Resistor Required		6.0 <sup>[3]</sup>
5	5V/17mA	8V/32mA	6.0
L5	5V/3.5mA	6V/5mA	2.0
5L	5V/9.5mA	6V/13mA	5.0
12	12V/18mA	15V/22mA	6.0
24	24V/9mA	28V/11mA	6.0



### PC080



### PC084



[1] Iv = typical luminous intensity @ specified voltage. (Ta=25°C).  
 [2] Vf = 1.8V Typ/3.0V Max (-R), 2.0V Typ/3.0V Max (-A, -G) @ 20mA, Reverse Breakdown Voltage VR(IR=100µA) = 5VDC.  
 [3] Iv = typical luminous intensity @ If = 20mA(Ta=25°C).

**All dimensions are in inches (mm)**  
 Tolerances: .xx"(x) ±.025"(.63) / .xxx"(xx)±.010"(.25)  
 Specifications are subject to change without notice.