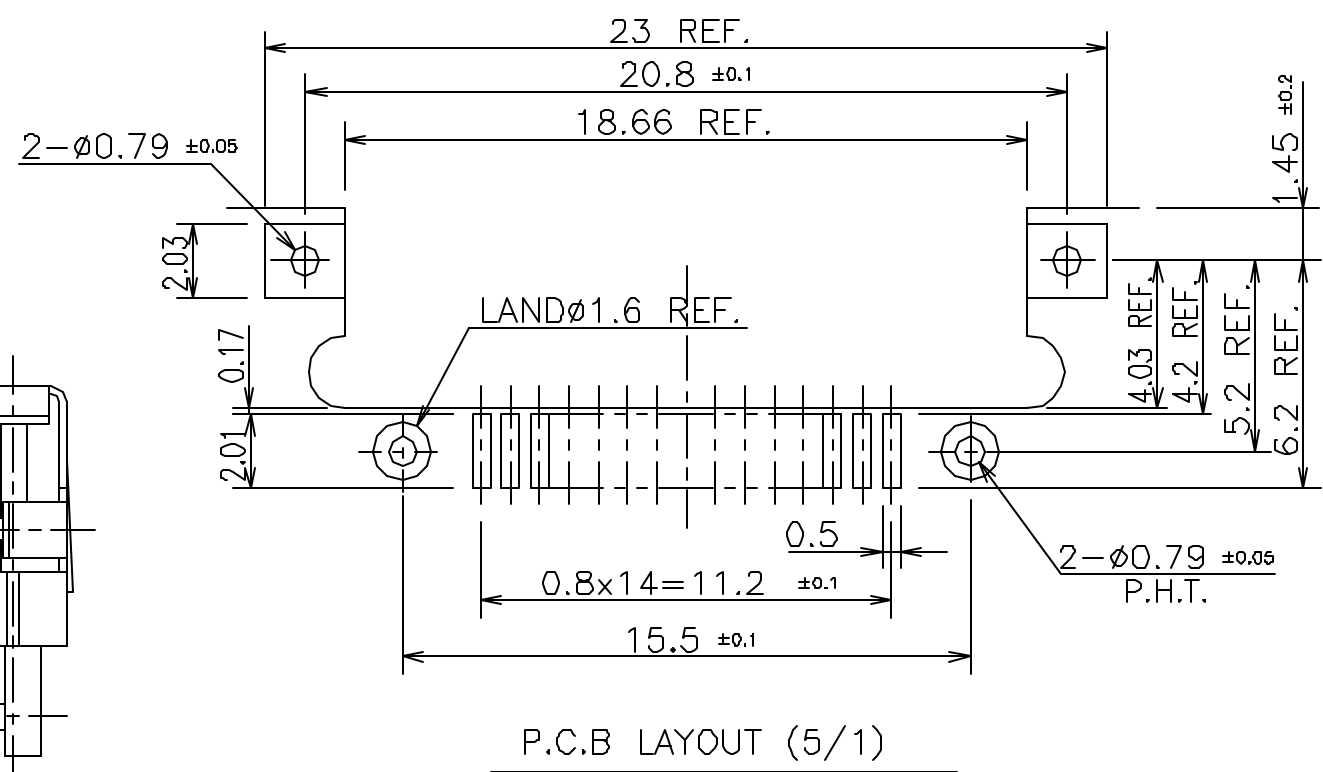
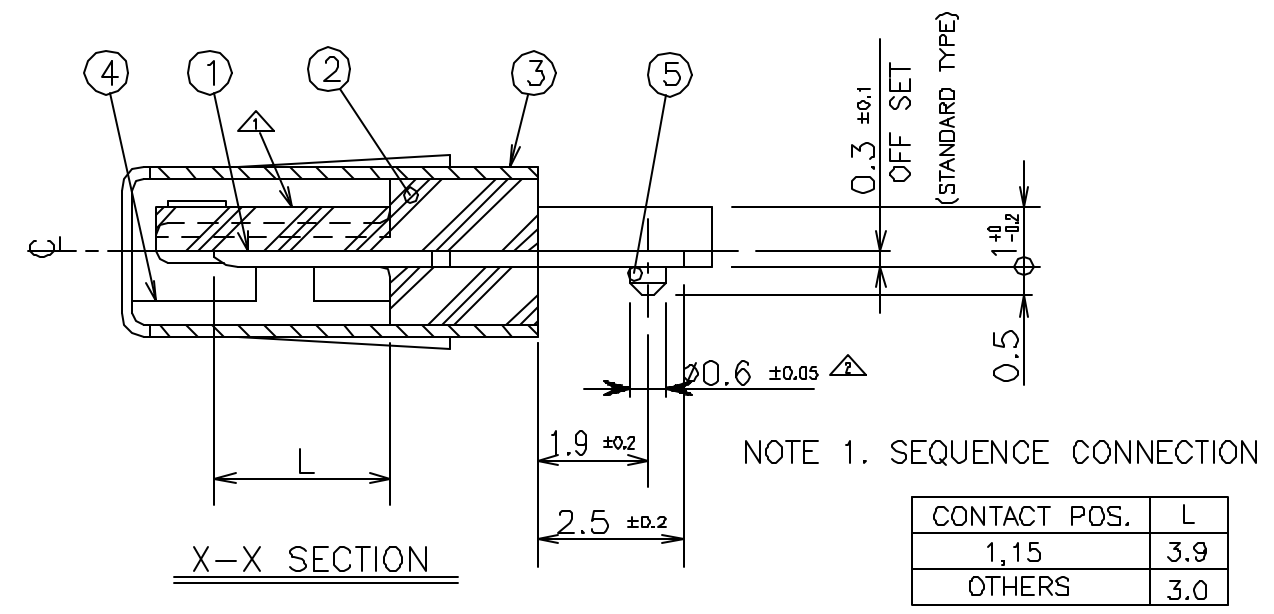


NOTE 3
 APPLICABLE FEMALE CONNECTOR
 △ P/N:RMC-E15FB-BSLAN-MB12
 AND OTHERS.

NOTE 2. CONTACT PLATING
 CONTACT AREA:GOLD 0.1μm MIN.
 OVER Pd/Ni(9:1)1μm MIN.
 TERMINAL AREA:TIN.
 ALL OVER:Ni 1.27μmMIN.

HONDA
 PRINT RM
 JUN.2.1998
 ISSUED



P.C.B LAYOUT (5/1)

LTR.	DATE	BY	REV.	DESCRIPT	NO.	PART NAME	MATERIAL	QTY	FINISH	NOTE
△	AUG.26 1997	A.M		CHANGE DIM.	3	SHELL	STAINLESS STEEL	1	NICKEL PLATING	
△	JUN.11 1996	A.M		CHANGE SHELL SHAPES AND OTHERS.	2	INSULATOR	PPS(GF)	1		UL94V-0 BROWN
△	JUN.11 1996	A.M		CHANGE SHELL SHAPES AND OTHERS.	1	MALE CONTACT	COPPER ALLOY	14	SEE NOTE2	
5						HOLD DOWN	COPPER ALLOY	2	NICKEL + TIN PLATING	
4						LOCK PLATE	STAINLESS STEEL	2		

DATE	SCALE	UNIT	3RD . A . P	HONDA TSUSHIN KOGYO., LTD.	
OCT.30 1995	5 / 1	mm(INCH)			
JUN.11 1996 REV.1A				DR	DE
				CHK	CHK
				APP	NAME
				PART NO. △ RMC-E15MY-OM-MB3#13	
				REAR OF MEMORY CARD SHIELDED I/O MALE 15 POS. CONNECTOR, OFF SET TAIL (0.3)	
				REV.	2B

RMC-E15MY-5007 EB