

NOTE 1. CONTACT LENGTH

CONTACT POS.No.	L
1,15	3.8
OTHERS	2.9

NOTE 2. CONTACT PLATING
 CONTACT AREA: GOLD 0.1 MICRO METER MIN.
 OVER Pd/Ni(9:1) 1 MICRO METER MIN.
 TERMINAL AREA: TIN/LEAD
 ALL OVER: Ni 1.27 MICRO METER MIN.

NOTE 3. DATE CODE

998
 YEAR(98:1998)
 MONTH
 (Z:1,2,3,-- ;9,X,Y,Z)

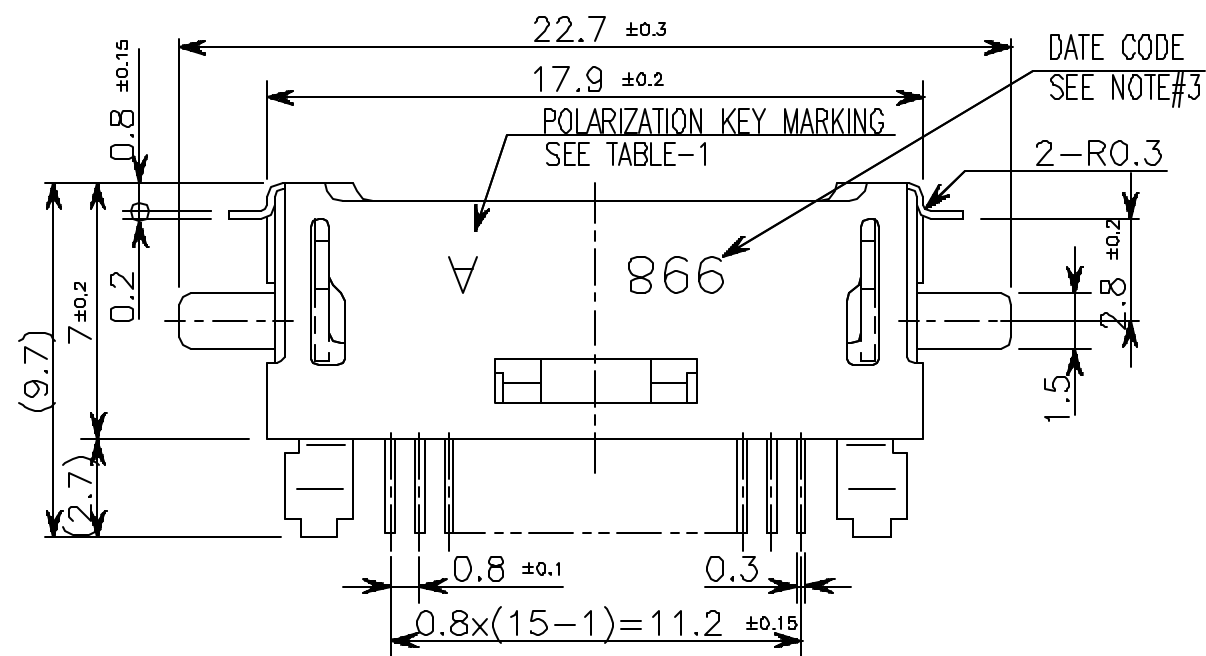
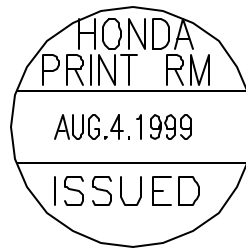
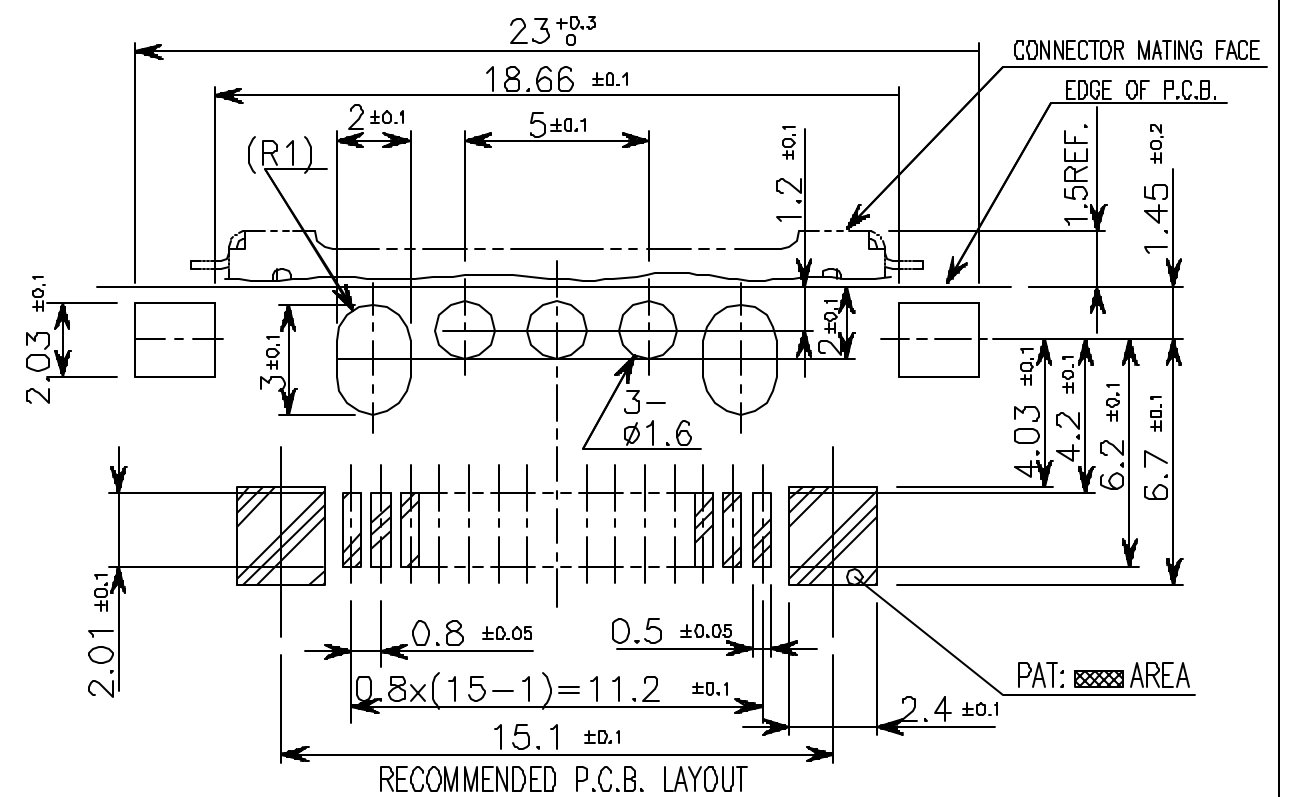
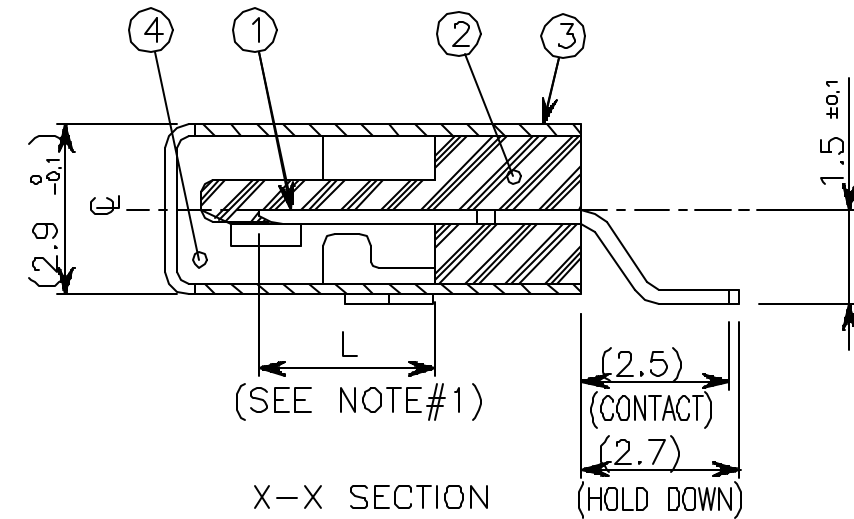


TABLE-1

PART No.	POLARIZATION KEY	MARKING	APPLICABLE FEMALE CONNECTOR
RMC-EA15MY-OM15-MAT		A	RMC-E(B)15FB-BSL()-MA()
RMC-EA15MY-OM15-MA1T		A1	RMC-E(B)15FB-BSL()-MA23
RMC-EA15MY-OM15-MA2T		A2	RMC-E(B)15FB-BSL()-MA13
RMC-EA15MY-OM15-MA3T		A3	RMC-E(B)15FB-BSL()-MA12



6	KAPTON TAPE	POLYAMIDE	1		
5	HOLD DOWN	PHOSPHOR BRONZE	2	TIN/LEAD	
4	LOCK PLATE	STAINLESS STEEL	2		
3	SHELL	STAINLESS STEEL	1	NICKEL	
2	INSULATOR	PPS(GF)	1		UL94V-0 BLACK
1	MALE CONTACT	PHOSPHOR BRONZE	15	REFER TO NOTE#1	

LTR.	DATE	BY	REV.	DESCRIPT	NO.	PART NAME	MATERIAL	QTY	FINISH	NOTE
	AUG.4 (1999)									

DR.	DE.	CHK.	CHK.	APP.	NAME	PART NO.
						RMC-EA15MY-OM15-MA()T