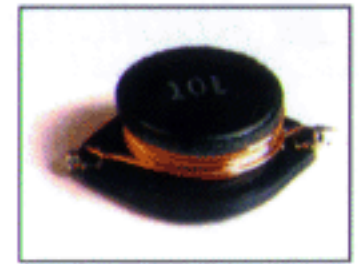


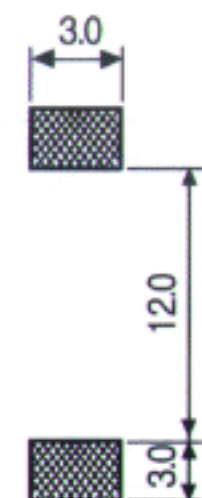
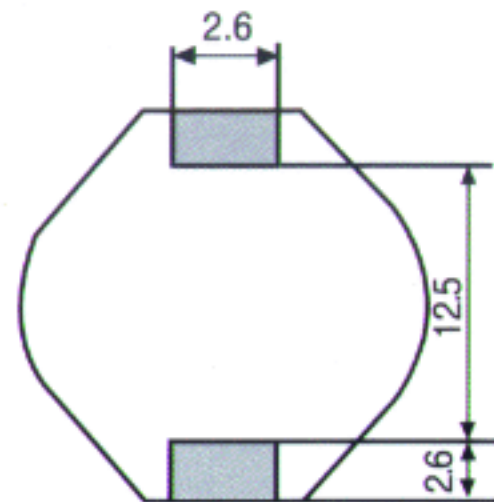
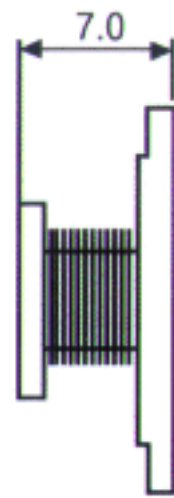
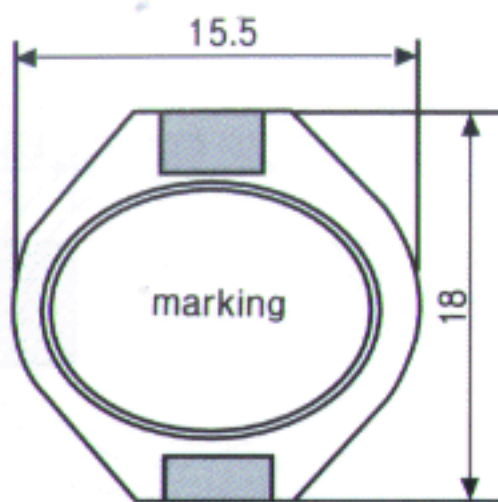
# B1870 Series

## Application

- ▶ Notebook Computer & PDA
- ▶ Battery Powered Equipment
- ▶ DC/DC Converters
- ▶ Digital cameras, Scanners
- ▶ CD-ROM & DVD



## Shape & Dimensions (Unit:mm)



Tolerance :  $\pm 0.2$

(PCB Pattern)

## Standard Specifications

Part No.	Inductance	D.C. Resistance	Rated Current
	( $\mu\text{H} \pm 20\%$ )	( $\Omega \pm 20\%$ )	(A max)
SFOB1870-100100	10	0.024	10.00
SFOB1870-7R0220	22	0.039	7.00
SFOB1870-5R5330	33	0.056	5.50
SFOB1870-4R5470	47	0.072	4.50
SFOB1870-3R5680	68	0.106	3.50
SFOB1870-3R0101	100	0.16	3.00

1. Inductance Tested at 1kHz, 1Vrms.
2. Inductance measured by HP 4284A, PRECISION LCR METER
3. Inductance drop 10% typ. at rated current
4. Operating temperature range  $-40^{\circ}\text{C}$  to  $+85^{\circ}\text{C}$
5. Electrical specifications at  $25^{\circ}\text{C}$