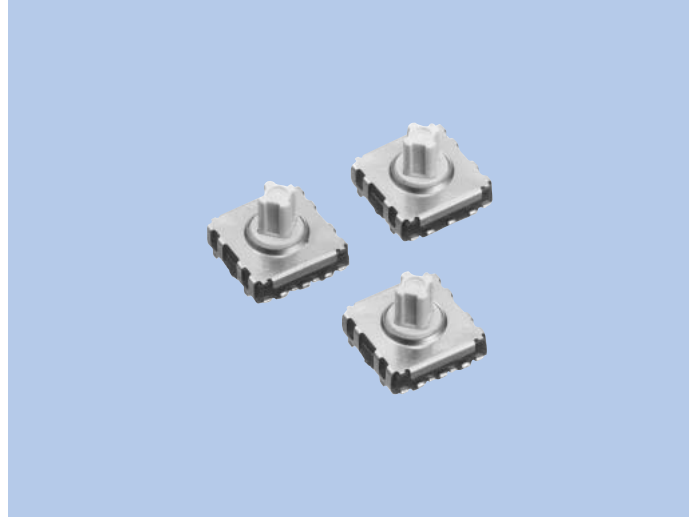


Multi-Function Tactile Switches SOQ Series

FEATURES

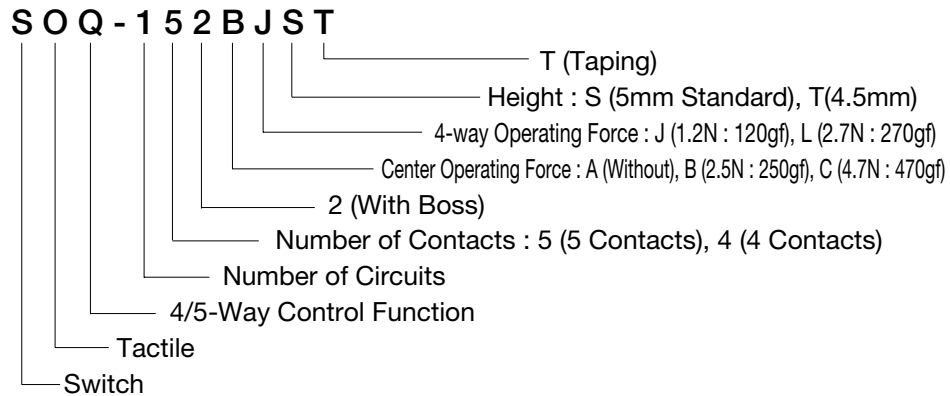
1. Minimized surface area (Just 6mm square).
2. Each circuit has 5 contacts to accommodate comparators.
3. Unique 2 layer construction to accommodate larger center click springs for longer service life.
4. Unique 4 way control function for enhanced tactile control sensations.



USES

1. Mobile phones, Game machines and PDA peripherals.

MODEL NAME CODE



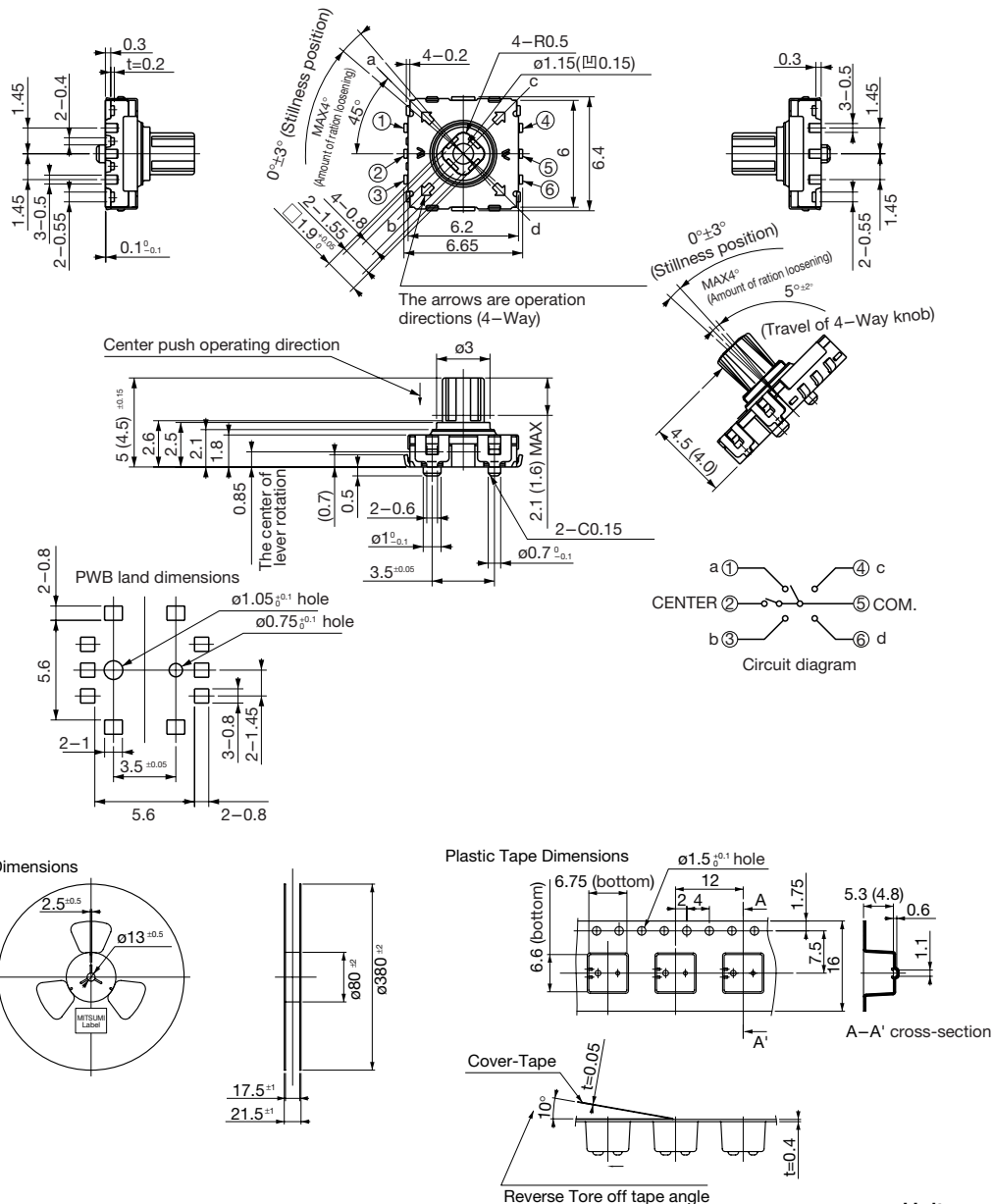
SPECIFICATIONS

Electrical Characteristics	Rating		50mA, 12V DC
	Contact Resistance		200mΩ or less
	Insulation Resistance		100MΩ or more
	Withstand Voltage		1 minute at 100V
Mechanical Characteristics	4-Way	J Type	1.2N (120gf)
		L Type	2.7N (270gf)
	Center	B Type	2.5N (250gf)
		C Type	4.7N (470gf)
Life	BJ Type		200,000cycles
	CL Type		100,000cycles

TYPE

Model Name Code	Order Number	Operating Force		Number of Contacts	Mounting Height	Pcs/Reel
		Center	4-Way			
SOQ-152BJST	R66 6398	2.5N(250gf)	1.2N(120gf)	5	5.0mm	1,000
SOQ-152BJTT	R66 6399	2.5N(250gf)	1.2N(120gf)	5	4.5mm	1,000
SOQ-152CLST	R66 6400	4.7N(470gf)	2.7N(270gf)	5	5.0mm	1,000
SOQ-152CLTT	R66 6401	4.7N(470gf)	2.7N(270gf)	5	4.5mm	1,000
SOQ-142AJST	R66 6126	-	1.2N(120gf)	4	5.0mm	1,000
SOQ-142ALTT	R66 6128	-	2.7N(270gf)	4	4.5mm	1,000

DIMENSIONS



*One reel accommodates 1,000 pieces (Ø380).
Inside (), 4.5mm specification.

Unit : mm
★Tolerance : ±0.3mm