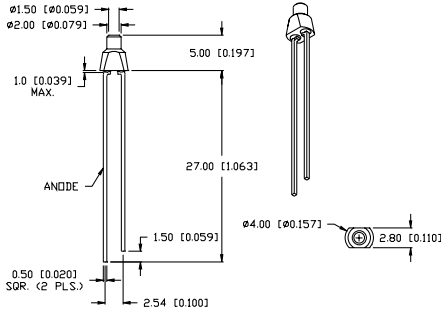


Discrete LEDs ~ Dome Lens



SSL-LX20465 Series

T-2mm Tapered Body, Top Diffused



FEATURES / OPTIONS

- ▶ State-of-the-Art, High Brightness Chip Technology
- ▶ Choice of Colors and Lens Finishes
- ▶ Lead Frame / Lens Casting Reliability
- ▶ Easy-to-Solder Leads Tin Finish
- ▶ Available Bulk or on Tape and Reel
- ▶ Lead Trimming and Forming Available
- ▶ Custom Shapes, Easily Tooled, Low Minimum

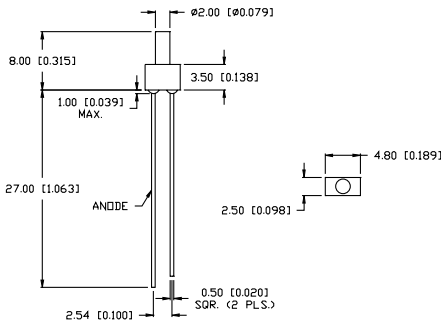
APPLICATIONS / USES

- ▶ Board or Panel Indication or Illumination
- ▶ Backlighting of Overlays and Graphics
- ▶ Annunciator and Control Panels
- ▶ Keyboards and Switches
- ▶ Telecom Switches and Central Station Equipment
- ▶ Signs, Warning Lights, Displays

Lumex Part Number	Die Material	Emitted Color	Peak (nm)	Lens	Operating Current (mA)	Operating TYP. Vf (V)	Brightness TYP. Mcd	@ mA	View Angle° 2θ
HIGH BRIGHTNESS									
SSL-LX20465SID	AlInGaP	Super High Intensity Red	636	Red Diffused	5-25	2	100	20	70
SSL-LX20465SOD	AlInGaP	Super Orange	610	Orange Diffused	5-25	2	100	20	70
SSL-LX20465SUGD	AlInGaP	Super Ultra Green	574	Green Diffused	5-25	2.2	60	20	70
SSL-LX20465SYD	AlInGaP	Super Yellow	590	Yellow Diffused	5-25	2	80	20	70
SSL-LX20465USBD	InGaN/SiC	Ultra Super Blue	470	Blue Diffused	5-25	3.5	60	20	70
STANDARD BRIGHTNESS									
SSL-LX20465GD	GaP	Green	565	Green Diffused	5-25	2.2	10	20	70
SSL-LX20465HD	GaP	High Efficiency Red	700	Red Diffused	5-25	2.0	3	20	70
SSL-LX20465ID	GaAsP	High Intensity Red	635	Red Diffused	5-25	2.0	25	20	70
SSL-LX20465SBD/A	InGaN/SiC	Super Blue	430	Blue Diffused	5-25	4.5	5	20	70
SSL-LX20465SRD	GaAIAs	Super Red	660	Red Diffused	5-25	1.7	60	20	70
SSL-LX20465YD	GaAsP	Yellow	585	Yellow Diffused	5-25	2.1	10	20	70

SSL-LX20483 Series

T-2mm Stove Pipe Lens



FEATURES / OPTIONS

- ▶ State-of-the-Art, High Brightness Chip Technology
- ▶ Choice of Colors and Lens Finishes
- ▶ Lead Frame / Lens Casting Reliability
- ▶ Easy-to-Solder Leads, Tin Finish
- ▶ Available Bulk or on Tape and Reel
- ▶ Lead Trimming and Forming Available
- ▶ Custom Shapes, Easily Tooled, Low Minimum

APPLICATIONS / USES

- ▶ Board or Panel Indication or Illumination
- ▶ Backlighting of Overlays and Graphics
- ▶ Annunciator and Control Panels
- ▶ Keyboards and Switches
- ▶ Telecom Switches and Central Station Equipment
- ▶ Signs, Warning Lights, Displays

Lumex Part Number	Die Material	Emitted Color	Peak (nm)	Lens	Operating Current (mA)	Operating TYP. Vf (V)	Brightness TYP. Mcd	@ mA	View Angle° 2θ
HIGH BRIGHTNESS									
SSL-LX20483SID	AlInGaP	Super High Intensity Red	636	Red Diffused	5-25	2.0	80	20	70
SSL-LX20483SOD	AlInGaP	Super Orange	610	Orange Diffused	5-25	2.0	80	20	70
SSL-LX20483SUGD	AlInGaP	Super Ultra Green	574	Green Diffused	5-25	2.2	60	20	70
SSL-LX20483SYD	AlInGaP	Super Yellow	590	Yellow Diffused	5-25	2.0	60	20	70
SSL-LX20483USBD	InGaN/SiC	Ultra Super Blue	470	Blue Diffused	5-25	3.5	60	20	70
STANDARD BRIGHTNESS									
SSL-LX20483GD-TD	GaP	Green	565	Green Diffused	5-25	2.2	12	20	70
SSL-LX20483HD-TD	GaP	High Efficiency Red	700	Red Diffused	5-25	2.0	2	20	70
SSL-LX20483ID-TD	GaAsP	High Intensity Red	635	Red Diffused	5-25	2.0	20	20	70
SSL-LX20483OD-TD	GaAsP	Orange	630	Orange Diffused	5-25	2.0	20	20	70
SSL-LX20483YD-TD	GaAsP	Yellow	585	Yellow Diffused	5-25	2.1	12	20	70



USA/Canada 1-800-278-5666
Asia +886-3-5821124



www.lumex.com



USA/Canada 1-847-359-8904
Asia +886-3-5821154