

SMD UNSHIELDED LOW PROFILE POWER INDUCTOR

ASPI-XXXXHC



RoHS
Compliant



7.3 x 7.3 x 4.5mm

FEATURES:

- Miniature surface mount design
- High power, high saturation inductors with very low resistance
- Maximum power density, ideal for DC-DC conversion

APPLICATIONS:

- Notebook computers, handheld communications, LCD TV, power supply for VTRs, DC/DC converts

STANDARD SPECIFICATIONS:

| Part No. | L (μ H) | DC Resistance (m Ω) Max | | | | | Rated DC Current (A) Max | | | | |
|----------|-----------------|---------------------------------|-----------|-----------|-----------|-----------|--------------------------|-----------|-----------|-----------|-----------|
| | | XXXX=0703 | XXXX=0706 | XXXX=0804 | XXXX=1907 | XXXX=1306 | XXXX=0703 | XXXX=0706 | XXXX=0804 | XXXX=1907 | XXXX=1306 |
| R47 | 0.47 | 25 | 10 | 5 | 3 | 2 | 6 | 6 | 10.6 | 16 | 19.2 |
| 1R0 | 1 | 50 | 18 | 6 | 4 | 3 | 2.9 | 4.4 | 9.3 | 12.5 | 17.3 |
| 1R5 | 1.5 | 50 | 20 | 8 | 6 | 4 | 2.8 | 4.2 | 8.3 | 10 | 13.4 |
| 2R2 | 2.2 | 70 | 37 | 11 | 8 | 5 | 2.4 | 3.1 | 7.2 | 9.2 | 12 |
| 3R3 | 3.3 | 80 | 43 | 14 | 9 | 6 | 2 | 2.9 | 6.5 | 8 | 11 |
| 4R7 | 4.7 | 90 | 55 | 18 | 12 | 10 | 1.5 | 2.2 | 5.5 | 6.5 | 8.6 |
| 6R8 | 6.8 | 130 | 90 | 27 | 19 | 15 | 1.4 | 1.7 | 5 | 5.8 | 8.3 |
| 100 | 10 | 160 | 111 | 38 | 27 | 20 | 1.1 | 1.5 | 4.3 | 4.3 | 6.8 |
| 150 | 15 | 230 | 175 | 45 | 32 | 30 | 1 | 1.2 | 3.5 | 3.9 | 5.5 |
| 220 | 22 | 370 | 255 | 70 | 50 | 40 | 0.8 | 1 | 2.8 | 3.1 | 4.5 |
| 330 | 33 | - | 367 | 100 | 69 | 60 | - | 0.82 | 2.1 | 2.4 | 3.7 |
| 470 | 47 | - | 474 | 150 | 109 | 74 | - | 0.72 | 1.7 | 1.9 | 3.1 |
| 680 | 68 | - | 750 | 220 | 156 | 120 | - | 0.58 | 1.5 | 1.6 | 2.4 |
| 101 | 100 | - | 1110 | 280 | 206 | 170 | - | 0.47 | 1.2 | 1.4 | 2 |

Rated DC current: the current when the inductance becomes 30% lower than its initial value or when temperature of coil increase 40°C

Operating temperature: -40~85°C

Measuring frequency: 100KHz, 0.25V

Inductance tolerance:

ASPI-0703HC: 0.47 μ H(P)+40~-20% ; 1.0 μ H~22 μ H(M) \pm 20%

ASPI-0706HC, 0804HC, 1907HC, 1306HC: 0.47 μ H~1.5 μ H(P) +40~-20% ; 2.2 μ H~100 μ H(M) \pm 20%

OPTIONS AND PART IDENTIFICATION:

[Left blank if standard]

ASPI - xxxxHC - □□□□ - □

| Type | |
|------|---------------|
| 0703 | 7.5x5.2x3.2 |
| 0706 | 9.0x6.1x5.0 |
| 0804 | 13.2x9.9x6.35 |
| 1907 | 19.4x13.3x6.8 |
| 1306 | 22.2x15.0x8.0 |

| Tolerance | |
|---|------------|
| Please see the table for inductance value available | |
| N | \pm 20% |
| P | +40%, -20% |

| Packaging (T/R) | |
|-----------------|---------|
| 0703 | 1500pcs |
| 0706 | 1000pcs |
| 0804 | 750pcs |
| 1907 | 350pcs |
| 1306 | 250pcs |



SMD UNSHIELDED LOW PROFILE POWER INDUCTOR

ASPI-XXXXHC

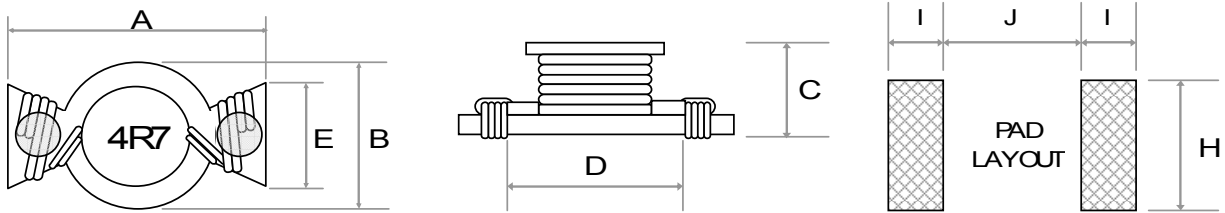


RoHS
Compliant



7.3 x 7.3 x 4.5mm

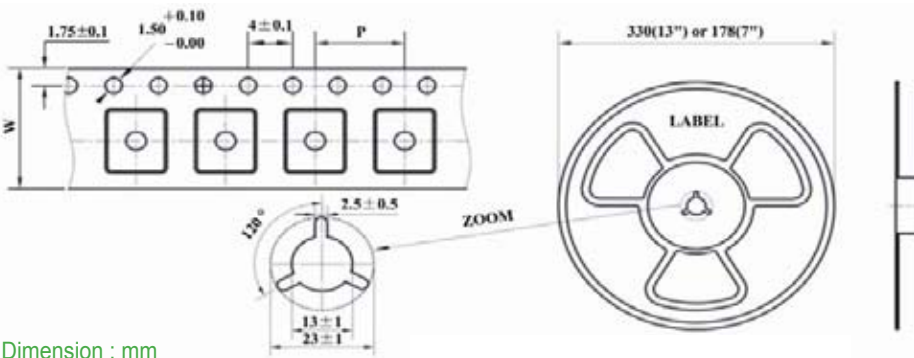
OUTLINE DRAWING:



| Codes | A max | B max | C max | D | E | H | I | J |
|-------|-------|-------|-------|------|-----|-----|-----|------|
| 0703 | 7.5 | 5.2 | 3.2 | 4.6 | 2.5 | 4 | 2 | 4 |
| 0706 | 9 | 6.1 | 5 | 5.8 | 3 | 5 | 2 | 5 |
| 0804 | 13.2 | 9.9 | 6.35 | 9.5 | 4.5 | 6.5 | 2.3 | 9 |
| 1907 | 19.4 | 13.3 | 6.8 | 12.7 | 6.6 | 8 | 3.8 | 11.7 |
| 1306 | 22.2 | 15 | 8 | 14.6 | 7.7 | 10 | 4.3 | 13.5 |

Dimension : mm

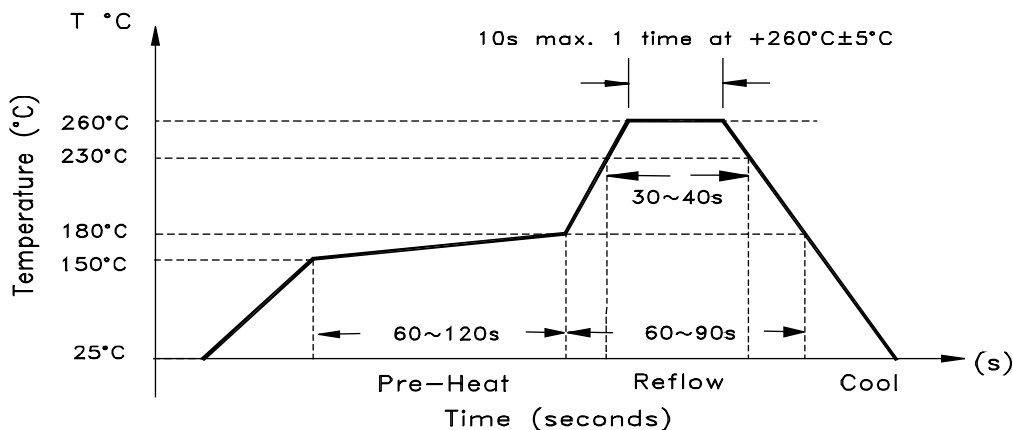
TAPE & REEL: Tape and reel 1,000pcs/reel



Dimension : mm

| Series | Tape size | | Parts Per Reel |
|--------|-----------|----|----------------|
| | W | P | |
| 0703 | 16 | 8 | 1500 |
| 0706 | 16 | 8 | 1000 |
| 0804 | 24 | 16 | 750 |
| 1907 | 32 | 20 | 350 |
| 1306 | 32 | 20 | 250 |

REFLOW PROFILE:



NOTE: Abracon manufactured products are intended for general commercial and industrial use. For applications requiring high reliability and/or presenting extreme operating environment, written consent & authorization from Abracon is required.

ABRACON IS
ISO 9001 / QS 9000
CERTIFIED



Visit www.abracon.com for Terms & Conditions of Sale **Revised: 10.05.09**
30332 Esperanza, Rancho Santa Margarita, California 92688
tel 949-546-8000 | fax 949-546-8001 | www.abracon.com