

# GANGED MOD JACKS WITH LED

MODM-D,  
MODM-E

## SPECIFICATIONS

For complete specifications and recommended PCB layouts see [www.samtec.com?MODM-D](http://www.samtec.com?MODM-D) or [www.samtec.com?MODM-E](http://www.samtec.com?MODM-E)

### Insulator Material:

MODM-D: PBT  
Glass Filled  
MODM-E: Nylon 46

### Contact Material:

Phosphor Bronze

### Shield Material:

Copper Alloy

### Plating:

Gold on Contacts,  
Nickel on Shield, Tin on Tails

### Operating Temp Range:

-25°C to +90°C

### Current Rating:

1.5 A per contact

### Voltage Rating:

120 VAC max

### Contact Resistance:

20 mΩ max

### Minimum Cycles:

500

### System Applications:

CAT3  
Packaged and shipped in Bulk Packaging Trays; Trays suitable for automation are available upon request.

### RoHS Compliant:

Yes

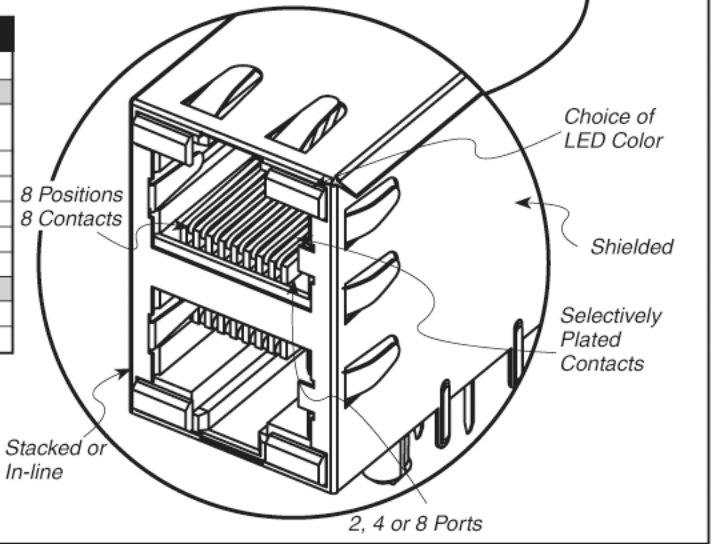
### Lead-Free Solderable:

No



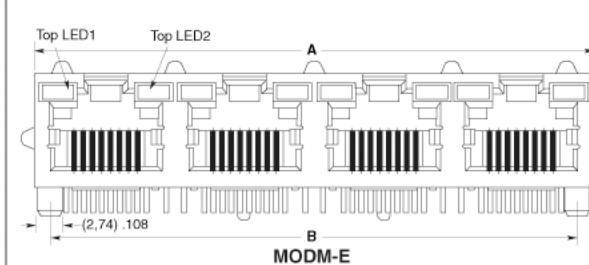
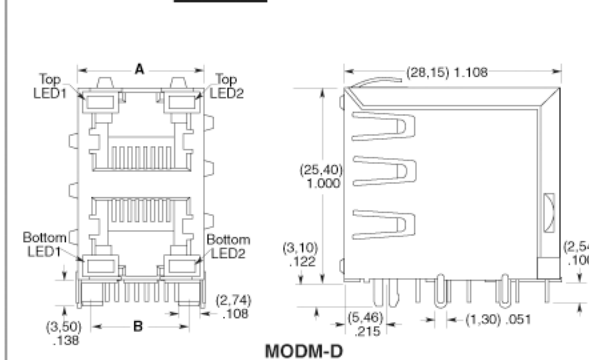
## MODS-D & -E FEATURES

|                 |   |
|-----------------|---|
| Category        | CAT3                                    |
| Orientation     | Side Entry, Ganged                      |
| Shielding       | Shielded, with or without Panel Grounds |
| Termination     | Through-Hole                            |
| Tab Orientation | Top Up, Bottom Down (-D)                |
| Tab Orientation | Tab Up (-E)                             |
| Profile (-D)    | (25,40mm) 1.000" +pnl gnds              |
| Profile (-E)    | (13,70mm) .545" +pnl gnds               |
| LEDs            | Standard                                |
| RJ45 Stacked    | MODM-D-XX-8P8C-X-XX-X-X                 |
| RJ45 In-line    | MODM-E-XX-8P8C-X-XX-X-X                 |

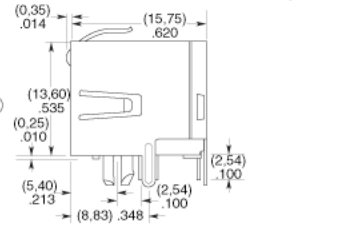


| MODM | TYPE | NO. OF PORTS | 8P8C | PLATING | SHIELD OPTION | LED 1 | LED 2 |
|------|------|--------------|------|---------|---------------|-------|-------|
|------|------|--------------|------|---------|---------------|-------|-------|

|  |                                    |                     |                                      |   |   |   |  |
|--|------------------------------------|---------------------|--------------------------------------|---|---|---|--|
|  | -D<br>= Stacked<br>-E<br>= In-line | -02,<br>-04,<br>-08 | -8P8C<br>= 8 Positions<br>8 Contacts | -L<br>= 15µ" (0.38µm)<br>Gold on Mating Area,<br>Tin on Tails<br>-S<br>= 30µ" (0.76µm)<br>Gold on Mating Area,<br>Tin on Tails<br>-U<br>= 50µ" (1.27µm)<br>Gold on Mating Area,<br>Tin on Tails | -S<br>= Shielded<br>(No Panel Grounds)<br>-S4<br>= Shielded<br>with Top,<br>Bottom and<br>Side Panel<br>Grounds | -G<br>= Green<br>-Y<br>= Yellow<br>-1*<br>= Green/Orange<br>-2*<br>= Yellow/Orange<br>-3*<br>= Green/Red<br>-4*<br>= Yellow/Red<br>-5*<br>= Green/Yellow<br>-6*<br>= Yellow/Green |  |
|--|------------------------------------|---------------------|--------------------------------------|---|---|---|--|



| NO. OF PORTS | -D               |                  | -E                |                   |
|--------------|------------------|------------------|-------------------|-------------------|
|              | A                | B                | A                 | B                 |
| -02          | (16,51)<br>650   | (12,70)<br>500   | (32,26)<br>1.270  | (28,45)<br>1.120  |
| -04          | (32,26)<br>1.270 | (28,45)<br>1.120 | (63,80)<br>2.512  | (59,94)<br>2.359  |
| -08          | (63,65)<br>2.506 | (59,95)<br>2.360 | (126,75)<br>4.990 | (122,94)<br>4.840 |



Due to technical progress, all designs, specifications and components are subject to change without notice.

WWW.SAMTEC.COM