

## LSH (E2000) Patchcord

### Description:

The LSH connectors are offered in MM or SM performances with PC and APC polishing method. LSH integrated protective cap protects ferrule from dust and rules out any laser light emissions. LSH connector is excellent for high packing density.



### Features:

- Integrated protective cap protect ferrule from dust and rules out any laser light emissions
- Integrated spring for a guaranteed closing of the protective cap
- Single mode and multimode versions available, PC and APC polishing
- Full ceramic ferrule
- Special ferrule preform for short polishing time
- Adjustable in 60° steps
- Excellent for high packing density
- Colour and mechanical coding

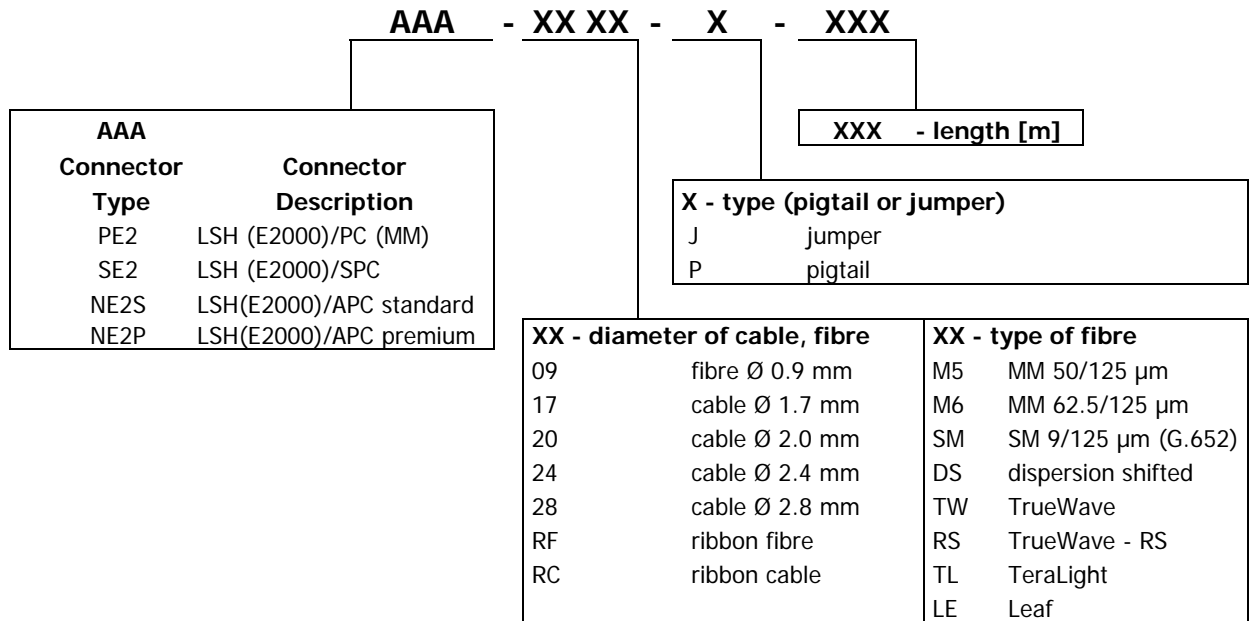
### Specifications:

Insertion loss (IL)	typ. 0.10 dB
Return loss (RL)	> 60 dB for jumper length up to 5 m
Strain relief	40 N
Operating temperature	-40°C to +85°C, conditioned by type of cable
Durability	min 1000 cycles
Assembly procedure	glue and polish
Connection	physical contact
Lock mechanism	snap-on
Standards	EN 186-270
Ferrule material	full ceramic zirconia
Connector material	UL 94-V0
Adapter material	UL 94-V0, slotted ceramic sleeve

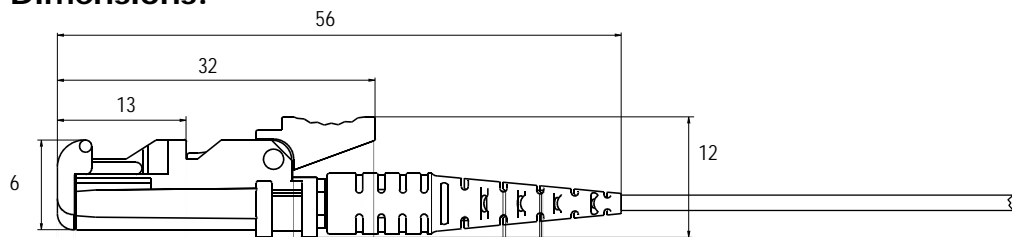
### Application:

- Telecom
- LAN, WAN
- CATV
- Sensor Systems
- Measuring Technique
- Utilities
- Railways

### Ordering code:



### Dimensions:



### Samples:

NE2S-28 SM-J-003



SPC-NE2S-28 SM-J-003

