

DATA SHEET

80C552/83C552

Single-chip 8-bit microcontroller

Product specification

1996 Aug 06

IC20 Data Handbook

Single-chip 8-bit microcontroller

80C552/83C552

Single-chip 8-bit microcontroller with 10-bit A/D, capture/compare timer, high-speed outputs, PWM

DESCRIPTION

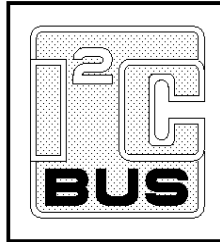
The 80C552/83C552 (hereafter generically referred to as 8XC552) Single-Chip 8-Bit Microcontroller is manufactured in an advanced CMOS process and is a derivative of the 80C51 microcontroller family. The 8XC552 has the same instruction set as the 80C51. Three versions of the derivative exist:

- 83C552—8k bytes mask programmable ROM
- 80C552—ROMless version of the 83C552
- 87C552—8k bytes EPROM (described in a separate chapter)

The 8XC552 contains a non-volatile 8k x 8 read-only program memory (83C552), a volatile 256 x 8 read/write data memory, five 8-bit I/O ports, one 8-bit input port, two 16-bit timer/event counters (identical to the timers of the 80C51), an additional 16-bit timer coupled to capture and compare latches, a 15-source, two-priority-level, nested interrupt structure, an 8-input ADC, a dual DAC pulse width modulated interface, two serial interfaces (UART and I²C-bus), a "watchdog" timer and on-chip oscillator and timing circuits. For systems that require extra capability, the 8XC552 can be expanded using standard TTL compatible memories and logic.

In addition, the 8XC552 has two software selectable modes of power reduction—idle mode and power-down mode. The idle mode freezes the CPU while allowing the RAM, timers, serial ports, and interrupt system to continue functioning. The power-down mode saves the RAM contents but freezes the oscillator, causing all other chip functions to be inoperative.

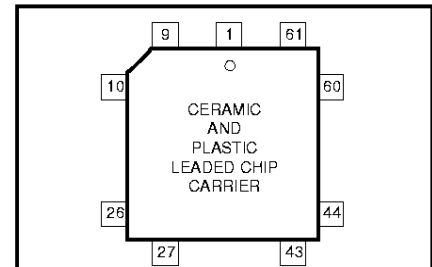
The device also functions as an arithmetic processor having facilities for both binary and BCD arithmetic plus bit-handling capabilities. The instruction set consists of over 100 instructions: 49 one-byte, 45 two-byte, and 17 three-byte. With a 16MHz (24MHz) crystal, 58% of the instructions are executed in 0.75µs (0.5µs) and 40% in 1.5µs (1µs). Multiply and divide instructions require 3µs (2µs).



FEATURES

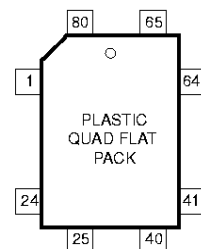
- 80C51 central processing unit
- 8k x 8 ROM expandable externally to 64k bytes
- An additional 16-bit timer/counter coupled to four capture registers and three compare registers
- Two standard 16-bit timer/counters
- 256 x 8 RAM, expandable externally to 64k bytes
- Capable of producing eight synchronized, timed outputs
- A 10-bit ADC with eight multiplexed analog inputs
- Two 8-bit resolution, pulse width modulation outputs
- Five 8-bit I/O ports plus one 8-bit input port shared with analog inputs
- I²C-bus serial I/O port with byte oriented master and slave functions
- Full-duplex UART compatible with the standard 80C51
- On-chip watchdog timer
- Three speed ranges:
 - 1.2 to 16MHz
 - 1.2 to 24MHz (ROM, ROMless only)
 - 1.2 to 30MHz (ROM, ROMless only)
- Three operating ambient temperature ranges:
 - PCB83C552–5: 0°C to +70°C
 - PCF83C552–5: –40°C to +85°C (XTAL frequency max. 24 MHz)
 - PCA83C552–5: –40°C to +125°C (XTAL frequency max. 16 MHz)

PIN CONFIGURATIONS



Pin	Function	Pin	Function
1	P5.0/ADC0	35	XTAL1
2	V _{DD}	36	V _{SS}
3	STADC	37	V _{SS}
4	PWM0	38	NC*
5	PWMT	39	P2.0/A08
6	EW	40	P2.1/A09
7	P4.0/CMSR0	41	P2.2/A10
8	P4.1/CMSR1	42	P2.3/A11
9	P4.2/CMSR2	43	P2.4/A12
10	P4.3/CMSR3	44	P2.5/A13
11	P4.4/CMSR4	45	P2.6/A14
12	P4.5/CMSR5	46	P2.7/A15
13	P4.6/CMT0	47	PSEN
14	P4.7/CMT1	48	ALE
15	RST	49	E _A
16	P1.0/CT0I	50	P0.7/AD7
17	P1.1/CT1I	51	P0.6/AD6
18	P1.2/CT2I	52	P0.5/AD5
19	P1.3/CT3I	53	P0.4/AD4
20	P1.4/T2	54	P0.3/AD3
21	P1.5/RT2	55	P0.2/AD2
22	P1.6/SCL	56	P0.1/AD1
23	P1.7/SDA	57	P0.0/AD0
24	P3.0/RxD	58	AVref–
25	P3.1/TxD	59	AVref+
26	P3.2/INT0	60	AV _{SS}
27	P3.3/INTT	61	AV _{DD}
28	P3.4/T0	62	P5.7/ADC7
29	P3.5/T1	63	P5.6/ADC6
30	P3.6/WR	64	P5.5/ADC5
31	P3.7/RD	65	P5.4/ADC4
32	NC*	66	P5.3/ADC3
33	NC*	67	P5.2/ADC2
34	XTAL2	68	P5.1/ADC1

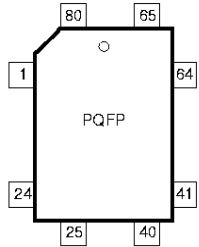
*DO NOT CONNECT



Single-chip 8-bit microcontroller

80C552/83C552

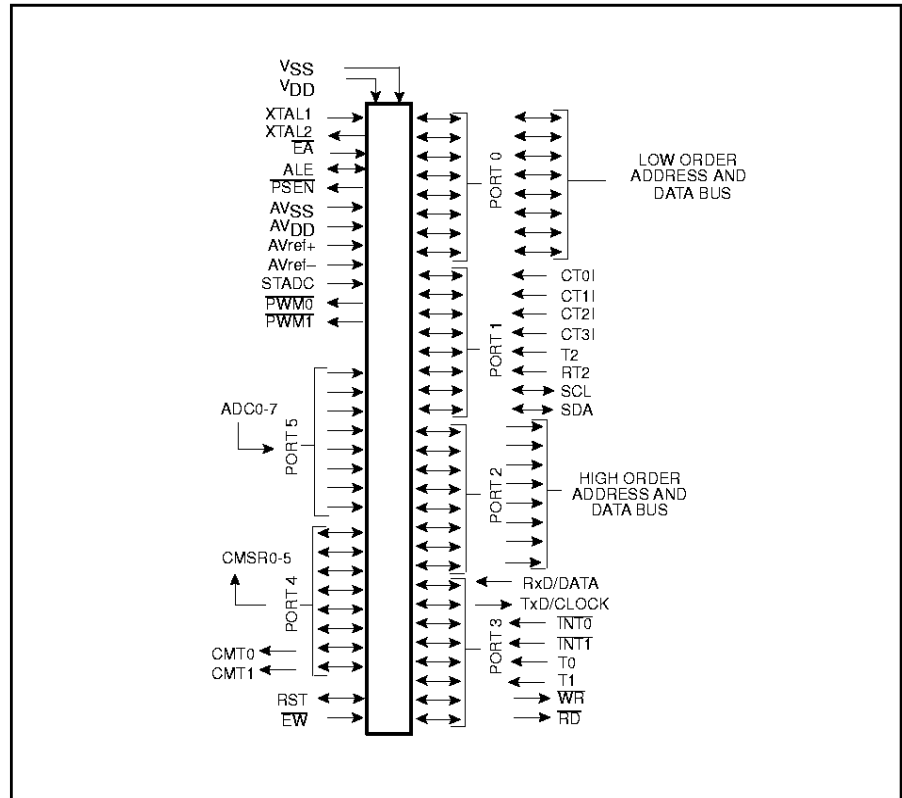
PLASTIC QUAD FLAT PACK PIN FUNCTIONS



Pin	Function	Pin	Function
1	P4.1/CMSR1	41	P2.3/A11
2	P4.2/CMSR2	42	P2.4/A12
3	NC*	43	NC*
4	P4.3/CMSR3	44	NC*
5	P4.4/CMSR4	45	P2.5/A13
6	P4.5/CMSR5	46	P2.6/A14
7	P4.6/CMT0	47	P2.7/A15
8	P4.7/CMT1	48	PSEN
9	RST	49	ALE
10	P1.0/CT0I	50	EA
11	P1.1/CT1I	51	P0.7/AD7
12	P1.2/CT2I	52	P0.6/AD6
13	P1.3/CT3I	53	P0.5/AD5
14	P1.4/T2	54	P0.4/AD4
15	P1.5/RT2	55	P0.3/AD3
16	P1.6/SCL	56	P0.2/AD2
17	P1.7/SDA	57	P0.1/AD1
18	P3.0/RxD	58	P0.0/AD0
19	P3.1/TxD	59	AVref-
20	P3.2/INT0	60	AVref+
21	NC*	61	AVss
22	NC*	62	NC*
23	P3.3/INT1	63	AVDD
24	P3.4/T0	64	P5.7/ADC7
25	P3.5/T1	65	P5.6/ADC6
26	P3.6/WF	66	P5.5/ADC5
27	P3.7/RD	67	P5.4/ADC4
28	NC*	68	P5.3/ADC3
29	NC*	69	P5.2/ADC2
30	NC*	70	P5.1/ADC1
31	XTAL2	71	P5.0/ADC0
32	XTAL1	72	VDD
33	IC	73	IC
34	Vss	74	STADC
35	Vss	75	PWM0
36	Vss	76	PWMT
37	NC*	77	EW
38	P2.0/A08	78	NC*
39	P2.1/A09	79	NC*
40	P2.2/A10	80	P4.0/CMSR0

* DO NOT CONNECT
IC = internally connected (do not use)

LOGIC SYMBOL



Single-chip 8-bit microcontroller

80C552/83C552

ORDERING INFORMATION

PHILIPS PART ORDER NUMBER PART MARKING		NORTH AMERICA PHILIPS PART ORDER NUMBER		DRAWING NUMBER	TEMPERATURE °C AND PACKAGE	FREQ MHz
ROMless	ROM	ROMless	ROM			
PCB80C552-5-16WP	PCB83C552-5WP/xxx	S80C552-4A68	S83C552-4A68	SOT188-3	0 to +70, Plastic Leaded Chip Carrier	16
PCB80C552-5-16H	PCB83C552-5H/xxx	S80C552-4B	S83C552-4B	SOT318-2	0 to +70, Plastic Quad Flat Pack	16
PCF80C552-5-16WP	PCF83C552-5WP/xxx	S80C552-5A68	S83C552-5A68	SOT188-3	-40 to +85, Plastic Leaded Chip Carrier	16
PCF80C552-5-16H	PCF83C552-5H/xxx	S80C552-5B	S83C552-5B	SOT318-2	-40 to +85, Plastic Quad Flat Pack	16
PCA80C552-5-16WP	PCA83C552-5WP/xxx	S80C552-6A68	S83C552-6A68	SOT188-3	-40 to +125, Plastic Leaded Chip Carrier	16
PCA80C552-5-16H	PCA83C552-5H/xxx	S80C552-6B	S83C552-6B	SOT318-2	-40 to +125, Plastic Quad Flat Pack	16
PCB80C552-5-24WP	PCB83C552-5WP/xxx	S80C552-AA68	S83C552-AA68	SOT188-3	0 to +70, Plastic Leaded Chip Carrier	24
PCB80C552-5-24H	PCB83C552-5H/xxx	S80C552-AB	S83C552-AB	SOT318-2	0 to +70, Plastic Quad Flat Pack	24
PCF80C552-5-24WP	PCF83C552-5WP/xxx	S80C552-BA68	S83C552-BA68	SOT188-3	-40 to +85, Plastic Leaded Chip Carrier	24
PCF80C552-5-24H	PCF83C552-5H/xxx	S80C552-BB	S83C552-BB	SOT318-2	-40 to +85, Plastic Quad Flat Pack	24
PCB80C552-5-30WP	PCB83C552-5WP/xxx	S80C552-CA68	S83C552-CA68	SOT188-3	0 to +70, Plastic Leaded Chip Carrier	30
PCB80C552-5-30H	PCB83C552-5H/xxx	S80C552-CB	S83C552-CB	SOT318-2	0 to +70, Plastic Quad Flat Pack	30

NOTE:

- xxx denotes the ROM code number.

Single-chip 8-bit microcontroller

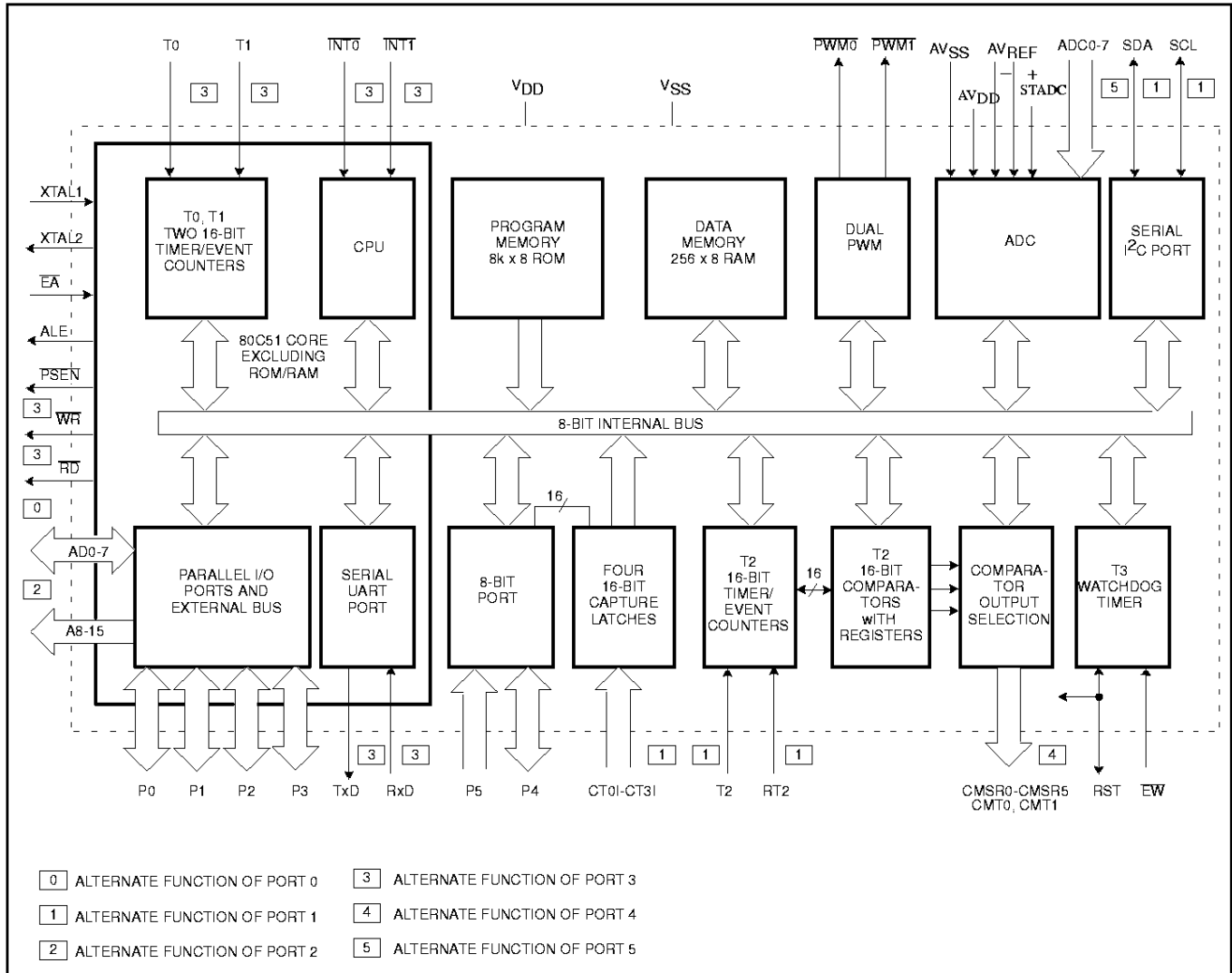
80C552/83C552

EPROM	DRAWING NUMBER	TEMPERATURE °C AND PACKAGE	FREQ MHz
S87C552-4A68	SOT188-3	0 to +70, Plastic Leaded Chip Carrier	16
S87C552-4K68	1473A	0 to +70, Ceramic Leaded Chip Carrier w/Window	16
S87C552-4BA	SOT318-2	0 to +70, Plastic Quad Flat Pack	16
S87C552-5A68	SOT188-3	-40 to +85, Plastic Leaded Chip Carrier	16
S87C552-5K68	1473A	-40 to +85, Ceramic Leaded Chip Carrier w/Window	16
S87C552-5BA	SOT318-2	-40 to +85, Plastic Quad Flat Pack	16

Single-chip 8-bit microcontroller

80C552/83C552

BLOCK DIAGRAM



Single-chip 8-bit microcontroller

80C552/83C552

PIN DESCRIPTION

MNEMONIC	PIN NO.		TYPE	NAME AND FUNCTION
	PLCC	QFP		
V _{DD}	2	72	I	Digital Power Supply: +5V power supply pin during normal operation, idle and power-down mode.
STADC	3	74	I	Start ADC Operation: Input starting analog to digital conversion (ADC operation can also be started by software). This pin must not float.
PWM0	4	75	O	Pulse Width Modulation: Output 0.
PWMT	5	76	O	Pulse Width Modulation: Output 1.
EW	6	77	I	Enable Watchdog Timer: Enable for T3 watchdog timer and disable power-down mode. This pin must not float.
P0.0-P0.7	57-50	58-51	I/O	Port 0: Port 0 is an 8-bit open-drain bidirectional I/O port. Port 0 pins that have 1s written to them float and can be used as high-impedance inputs. Port 0 is also the multiplexed low-order address and data bus during accesses to external program and data memory. In this application it uses strong internal pull-ups when emitting 1s.
P1.0-P1.7	16-23	10-17	I/O	Port 1: 8-bit I/O port. Alternate functions include: (P1.0-P1.5): Quasi-bidirectional port pins. (P1.6, P1.7): Open drain port pins. CT0I-CT3I (P1.0-P1.3): Capture timer input signals for timer T2. T2 (P1.4): T2 event input. RT2 (P1.5): T2 timer reset signal. Rising edge triggered. SCL (P1.6): Serial port clock line I ² C-bus. SDA (P1.7): Serial port data line I ² C-bus. Port 1 is also used to input the lower order address byte during EPROM programming and verification. A0 is on P1.0, etc.
	16-21	10-15	I/O	
	22-23	16-17	I/O	
	16-19	10-13	I	
	20	14	I	
	21	15	I	
	22	16	I/O	
	23	17	I/O	
P2.0-P2.7	39-46	38-42, 45-47	I/O	Port 2: 8-bit quasi-bidirectional I/O port. Alternate function: High-order address byte for external memory (A08-A15).
P3.0-P3.7	24-31	18-20, 23-27	I/O	Port 3: 8-bit quasi-bidirectional I/O port. Alternate functions include: RxD(P3.0): Serial input port. TxD (P3.1): Serial output port. INT0 (P3.2): External interrupt. INT1 (P3.3): External interrupt. T0 (P3.4): Timer 0 external input. T1 (P3.5): Timer 1 external input. WR (P3.6): External data memory write strobe. RD (P3.7): External data memory read strobe.
	24	18		
	25	19		
	26	20		
	27	23		
	28	24		
	29	25		
	30	26		
	31	27		
	P4.0-P4.7	7-14	80, 1-2 4-8	
7-12		80, 1-2 4-6	O	
13, 14		7, 8	O	
P5.0-P5.7	68-62, 1	71-64,	I	Port 5: 8-bit input port. ADC0-ADC7 (P5.0-P5.7): Alternate function: Eight input channels to ADC.
RST	15	9	I/O	Reset: Input to reset the 8XC552. It also provides a reset pulse as output when timer T3 overflows.
XTAL1	35	32	I	Crystal Input 1: Input to the inverting amplifier that forms the oscillator, and input to the internal clock generator. Receives the external clock signal when an external oscillator is used.
XTAL2	34	31	O	Crystal Input 2: Output of the inverting amplifier that forms the oscillator. Left open-circuit when an external clock is used.

Single-chip 8-bit microcontroller

80C552/83C552

PIN DESCRIPTION (Continued)

MNEMONIC	PIN NO.		TYPE	NAME AND FUNCTION
	PLCC	QFP		
V _{SS}	36, 37	34-36	I	Two Digital ground pins.
PSEN	47	48	O	Program Store Enable: Active-low read strobe to external program memory.
ALE	48	49	O	Address Latch Enable: Latches the low byte of the address during accesses to external memory. It is activated every six oscillator periods. During an external data memory access, one ALE pulse is skipped. ALE can drive up to eight LS TTL inputs and handles CMOS inputs without an external pull-up.
EA	49	50	I	External Access: When EA is held at TTL level high, the CPU executes out of the internal program ROM provided the program counter is less than 8192. When EA is held at TTL low level, the CPU executes out of external program memory. EA is not allowed to float.
AV _{REF-}	58	59	I	Analog to Digital Conversion Reference Resistor: Low-end.
AV _{REF+}	59	60	I	Analog to Digital Conversion Reference Resistor: High-end.
AV _{SS}	60	61	I	Analog Ground
AV _{DD}	61	63	I	Analog Power Supply

NOTE:

- To avoid "latch-up" effect at power-on, the voltage on any pin at any time must not be higher or lower than V_{DD} + 0.5V or V_{SS} - 0.5V, respectively.

OSCILLATOR

CHARACTERISTICS

XTAL1 and XTAL2 are the input and output, respectively, of an inverting amplifier. The pins can be configured for use as an on-chip oscillator, as shown in the logic symbol, page 3.

To drive the device from an external clock source, XTAL1 should be driven while XTAL2 is left unconnected. There are no requirements on the duty cycle of the external clock signal, because the input to the internal clock circuitry is through a divide-by-two flip-flop. However, minimum and maximum high and low times specified in the data sheet must be observed.

RESET

A reset is accomplished by holding the RST pin high for at least two machine cycles (24 oscillator periods), while the oscillator is running. To insure a good power-on reset, the RST pin must be high long enough to allow the oscillator time to start up (normally a few milliseconds) plus two machine cycles. At power-on, the voltage on V_{DD} and RST must come up at the same time for a proper start-up.

IDLE MODE

In the idle mode, the CPU puts itself to sleep while some of the on-chip peripherals stay active. The instruction to invoke the idle mode is the last instruction executed in the normal operating mode before the idle mode is activated. The CPU contents, the on-chip RAM, and all of the special function registers

remain intact during this mode. The idle mode can be terminated either by any enabled interrupt (at which time the process is picked up at the interrupt service routine and continued), or by a hardware reset which starts the processor in the same manner as a power-on reset.

POWER-DOWN MODE

In the power-down mode, the oscillator is stopped and the instruction to invoke power-down is the last instruction executed. Only the contents of the on-chip RAM are preserved. A hardware reset is the only way to terminate the power-down mode. The control bits for the reduced power modes are in the special function register PCON. Table 1 shows the state of the I/O ports during low current operating modes.

Table 1. External Pin Status During Idle and Power-Down Modes

MODE	PROGRAM MEMORY	ALE	PSEN	PORT 0	PORT 1	PORT 2	PORT 3	PORT 4	PWM0/ PWM1
Idle	Internal	1	1	Data	Data	Data	Data	Data	1
Idle	External	1	1	Float	Data	Address	Data	Data	1
Power-down	Internal	0	0	Data	Data	Data	Data	Data	1
Power-down	External	0	0	Float	Data	Data	Data	Data	1

Single-chip 8-bit microcontroller

80C552/83C552

Serial Control Register (S1CON) – See Table 2

S1CON (D8H)	CR2	ENS1	STA	STO	SI	AA	CR1	CR0
-------------	-----	------	-----	-----	----	----	-----	-----

Bits CR0, CR1 and CR2 determine the serial clock frequency that is generated in the master mode of operation.

Table 2. Serial Clock Rates

CR2	CR1	CR0	BIT FREQUENCY (kHz) AT f_{osc}					f_{osc} DIVIDED BY	
			6MHz	12MHz	16MHz	24MHz ²	30MHz ²		
0	0	0	23	47	62.5	94	117	1	256
0	0	1	27	54	71	107	134	1	224
0	1	0	31	63	83.3	125	156	1	192
0	1	1	37	75	100	150	188	1	160
1	0	0	6.25	12.5	17	25	31		960
1	0	1	50	100	133	200	250	1	120
1	1	0	100	200	267	400	500	1	60
1	1	1	0.24 < 62.5 0 < 255	0.49 < 62.5 0 < 254	0.65 < 55.6 0 < 253	0.98 < 50.0 0 < 251	1.22 < 52.1 0 < 250		96 × (256 – (reload value Timer 1)) reload value Timer 1 in Mode 2.

NOTES:

- These frequencies exceed the upper limit of 100kHz of the I²C-bus specification and cannot be used in an I²C-bus application.
- At $f_{osc} = 24\text{MHz}/30\text{MHz}$ the maximum I²C bus rate of 100kHz cannot be realized due to the fixed divider rates.

ABSOLUTE MAXIMUM RATINGS^{1, 2, 3}

PARAMETER	RATING	UNIT
Storage temperature range	–65 to +150	°C
Voltage on any other pin to V_{SS}	–0.5 to +6.5	V
Input, output DC current on any single I/O pin	5.0	mA
Power dissipation (based on package heat transfer limitations, not device power consumption)	1.0	W

NOTES:

- Stresses above those listed under Absolute Maximum Ratings may cause permanent damage to the device. This is a stress rating only and functional operation of the device at these or any conditions other than those described in the AC and DC Electrical Characteristics section of this specification is not implied.
- This product includes circuitry specifically designed for the protection of its internal devices from the damaging effects of excessive static charge. Nonetheless, it is suggested that conventional precautions be taken to avoid applying greater than the rated maxima.
- Parameters are valid over operating temperature range unless otherwise specified. All voltages are with respect to V_{SS} unless otherwise noted.

DEVICE SPECIFICATIONS

TYPE	SUPPLY VOLTAGE (V)		FREQUENCY (MHz)		TEMPERATURE RANGE (°C)
	MIN	MAX	MIN	MAX	
PCB83(0)C552-5-16	4.0	6.0	1.2	16	0 to +70
PCF83(0)C552-5-16	4.0	6.0	1.2	16	–40 to +85
PCA83(0)C552-5-16	4.5	5.5	1.2	16	–40 to +125
PCB83(0)C552-5-24	4.5	5.5	1.2	24	0 to +70
PCF83(0)C552-5-24	4.5	5.5	1.2	24	–40 to +85
PCB83(0)C552-5-30	4.5	5.5	1.2	30	0 to +70

Single-chip 8-bit microcontroller

80C552/83C552

DC ELECTRICAL CHARACTERISTICS

 $V_{SS}, AV_{SS} = 0V$

SYMBOL	PARAMETER	TEST CONDITIONS	LIMITS		UNIT
			MIN	MAX	
I_{DD}	Supply current operating:	See notes 1 and 2			
	PCB8XC552-5-16	$f_{osc} = 16MHz$		45	mA
	PCF8XC552-5-16	$f_{osc} = 16MHz$		45	mA
	PCA8XC552-5-16	$f_{osc} = 16MHz$		40	mA
	PCB8XC552-5-24	$f_{osc} = 24MHz$		55	mA
	PCF8XC552-5-24	$f_{osc} = 24MHz$		55	mA
I_{ID}	Idle mode:	See notes 1 and 3			
	PCB8XC552-5-16	$f_{osc} = 16MHz$		10	mA
	PCF8XC552-5-16	$f_{osc} = 16MHz$		10	mA
	PCA8XC552-5-16	$f_{osc} = 16MHz$		9	mA
	PCB8XC552-5-24	$f_{osc} = 24MHz$		12.5	mA
	PCF8XC552-5-24	$f_{osc} = 24MHz$		12.5	mA
I_{PD}	Power-down current:	See notes 1 and 4; $2V < V_{PD} < V_{DD} \text{ max}$			
	PCB8XC552			50	μA
	PCF8XC552 PCA8XC552			50 150	μA μA
Inputs					
V_{IL}	Input low voltage, except \overline{EA} , P1.6, P1.7		-0.5	$0.2V_{DD}-0.1$	V
V_{IL1}	Input low voltage to \overline{EA}		-0.5	$0.2V_{DD}-0.3$	V
V_{IL2}	Input low voltage to P1.6/SCL, P1.7/SDA ⁵		-0.5	$0.3V_{DD}$	V
V_{IH}	Input high voltage, except XTAL1, RST, P1.6/SCL, P1.7/SDA		$0.2V_{DD}+0.9$	$V_{DD}+0.5$	V
V_{IH1}	Input high voltage, XTAL1, RST		$0.7V_{DD}$	$V_{DD}+0.5$	V
V_{IH2}	Input high voltage, P1.6/SCL, P1.7/SDA ⁵		$0.7V_{DD}$	6.0	V
I_{IL}	Logical 0 input current, ports 1, 2, 3, 4, except P1.6, P1.7	$V_{IN} = 0.45V$		-50	μA
I_{TL}	Logical 1-to-0 transition current, ports 1, 2, 3, 4, except P1.6, P1.7	See note 6		-650	μA
$\pm I_{IL1}$	Input leakage current, port 0, \overline{EA} , STADC, \overline{EW}	$0.45V < V_I < V_{DD}$		10	μA
$\pm I_{IL2}$	Input leakage current, P1.6/SCL, P1.7/SDA	$0V < V_I < 6V$ $0V < V_{DD} < 5.5V$		10	μA
$\pm I_{IL3}$	Input leakage current, port 5	$0.45V < V_I < V_{DD}$		1	μA
Outputs					
V_{OL}	Output low voltage, ports 1, 2, 3, 4, except P1.6, P1.7	$I_{OL} = 1.6mA^7$		0.45	V
V_{OL1}	Output low voltage, port 0, ALE, PSEN, PWM0, PWM1	$I_{OL} = 3.2mA^7$		0.45	V
V_{OL2}	Output low voltage, P1.6/SCL, P1.7/SDA	$I_{OL} = 3.0mA^7$		0.4	V
V_{OH}	Output high voltage, ports 1, 2, 3, 4, except P1.6/SCL, P1.7/SDA	$V_{DD} = 5V + 10\%$			V
		$-I_{OH} = 60\mu A$	2.4		V
		$-I_{OH} = 25\mu A$	$0.75V_{DD}$		V
		$-I_{OH} = 10\mu A$	$0.9V_{DD}$		V

Single-chip 8-bit microcontroller

80C552/83C552

DC ELECTRICAL CHARACTERISTICS (Continued)

SYMBOL	PARAMETER	TEST CONDITIONS	LIMITS		UNIT
			MIN	MAX	
Outputs (Continued)					
V _{OH1}	Output high voltage (port 0 in external bus mode, ALE, PSEN, PWM0, PWM1) ⁸	V _{DD} = 5V +10%	2.4		V
		-I _{OH} = 400μA	0.75V _{DD}		V
		-I _{OH} = 150μA -I _{OH} = 40μA	0.9V _{DD}		V
V _{OH2}	Output high voltage (RST)	-I _{OH} = 400μA -I _{OH} = 120μA	2.4 0.8V _{DD}		V V
R _{RST}	Internal reset pull-down resistor		50	150	kΩ
C _{IO}	Pin capacitance	Test freq = 1MHz, T _{amb} = 25°C		10	pF
Analog Inputs					
AV _{DD}	Analog supply voltage: PCB8XC552-5-16 PCF8XC552-5-16 PCA8XC552-5-16 PCB8XC552-5-24 PCF8XC552-5-24 PCB8XC552-5-30	AV _{DD} = V _{DD} ±0.2V	4.0	6.0	V
		AV _{DD} = V _{DD} ±0.2V	4.0	6.0	V
		AV _{DD} = V _{DD} ±0.2V	4.5	5.5	V
		AV _{DD} = V _{DD} ±0.2V	4.5	5.5	V
		AV _{DD} = V _{DD} ±0.2V	4.5	5.5	V
		AV _{DD} = V _{DD} ±0.2V	4.5	5.5	V
AI _{DD}	Analog supply current: operating: (16MHz) Analog supply current: operating: (24MHz, 30MHz)	Port 5 = 0 to AV _{DD}		1.2	mA
		Port 5 = 0 to AV _{DD}		1.0	mA
AI _{ID}	Idle mode: PCB8XC552-5-16 PCF8XC552-5-16 PCA8XC552-5-16 PCB8XC552-5-24 PCF8XC552-5-24 PCB8XC552-5-30			50	μA
				50	μA
				100	μA
				50	μA
				50	μA
				50	μA
AI _{PD}	Power-down mode: PCB8XC552 PCF8XC552 PCA8XC552	2V < AV _{PD} < AV _{DD} max		50	μA
				50	μA
				100	μA
AV _{IN}	Analog input voltage		AV _{SS} -0.2	AV _{DD} +0.2	V
AV _{REF}	Reference voltage: AV _{REF-} AV _{REF+}		AV _{SS} -0.2		V
				AV _{DD} +0.2	V
R _{REF}	Resistance between AV _{REF+} and AV _{REF-}		10	50	kΩ
C _{IA}	Analog input capacitance			15	pF
t _{ADS}	Sampling time			8t _{CY}	μs
t _{ADC}	Conversion time (including sampling time)			50t _{CY}	μs
DL _e	Differential non-linearity ^{10, 11, 12}			±1	LSB
IL _e	Integral non-linearity ^{10, 13}			±2	LSB
OS _e	Offset error ^{10, 14}			±2	LSB

Single-chip 8-bit microcontroller

80C552/83C552

DC ELECTRICAL CHARACTERISTICS (Continued)

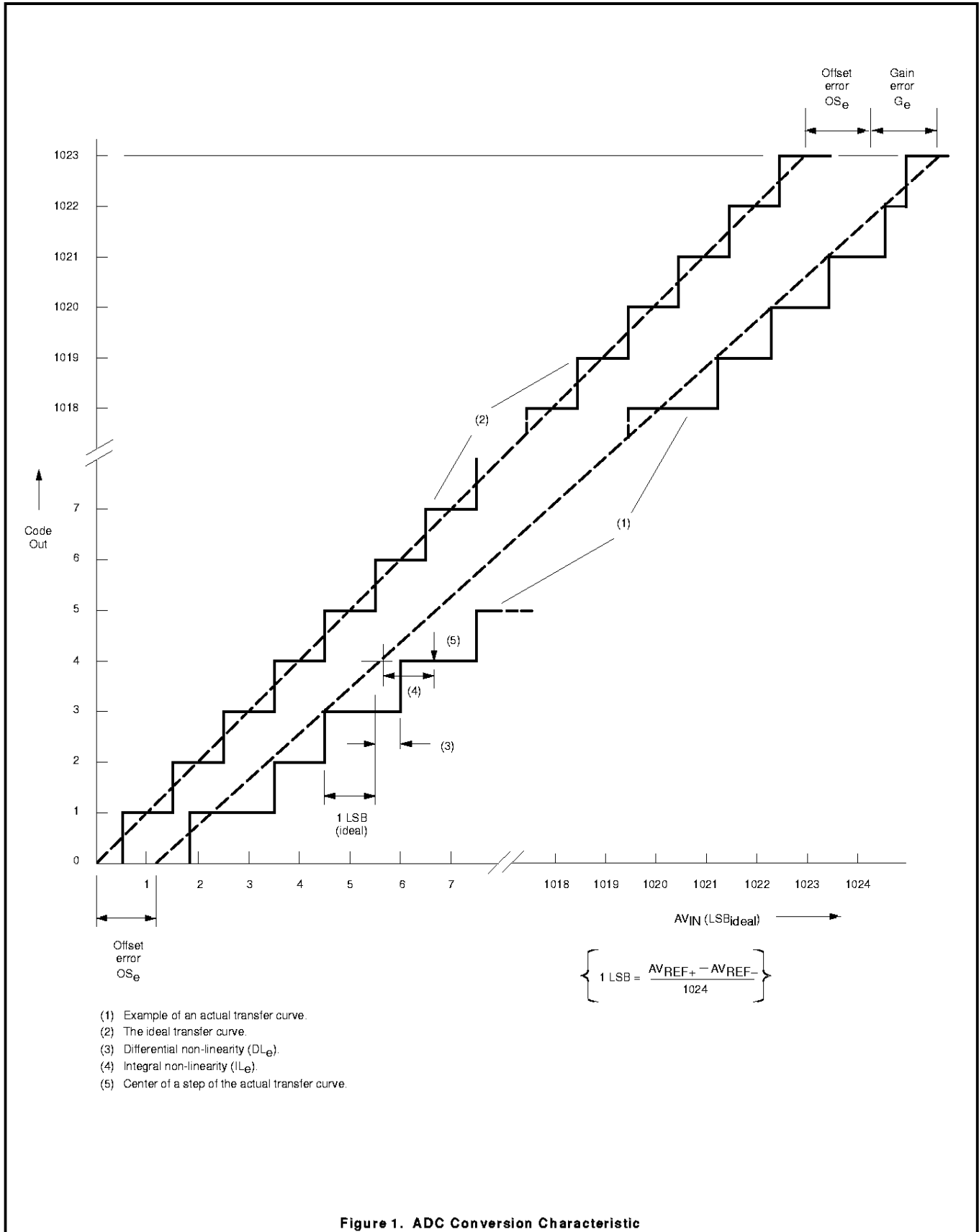
SYMBOL	PARAMETER	TEST CONDITIONS	LIMITS		UNIT
			MIN	MAX	
Analog Inputs (continued)					
G_e	Gain error ^{10, 15}			±0.4	%
A_e	Absolute voltage error ^{10, 16}			±3	LSB
M_{CTC}	Channel to channel matching			±1	LSB
C_1	Crosstalk between inputs of port 5 ¹⁷	0–100kHz		–60	dB

NOTES FOR DC ELECTRICAL CHARACTERISTICS:

- See Figures 10 through 15 for I_{DD} test conditions.
- The operating supply current is measured with all output pins disconnected; XTAL1 driven with $t_r = t_f = 10\text{ns}$; $V_{IL} = V_{SS} + 0.5\text{V}$; $V_{IH} = V_{DD} - 0.5\text{V}$; XTAL2 not connected; $\overline{EA} = \overline{RST} = \text{Port 0} = \overline{EW} = V_{DD}$; STADC = V_{SS} .
- The idle mode supply current is measured with all output pins disconnected; XTAL1 driven with $t_r = t_f = 10\text{ns}$; $V_{IL} = V_{SS} + 0.5\text{V}$; $V_{IH} = V_{DD} - 0.5\text{V}$; XTAL2 not connected; Port 0 = $\overline{EW} = V_{DD}$; $\overline{EA} = \overline{RST} = \text{STADC} = V_{SS}$.
- The power-down current is measured with all output pins disconnected; XTAL2 not connected; Port 0 = $\overline{EW} = V_{DD}$; $\overline{EA} = \overline{RST} = \text{STADC} = \text{XTAL1} = V_{SS}$.
- The input threshold voltage of P1.6 and P1.7 (SIO1) meets the I²C specification, so an input voltage below 1.5V will be recognized as a logic 0 while an input voltage above 3.0V will be recognized as a logic 1.
- Pins of ports 1 (except P1.6, P1.7), 2, 3, and 4 source a transition current when they are being externally driven from 1 to 0. The transition current reaches its maximum value when V_{IN} is approximately 2V.
- Capacitive loading on ports 0 and 2 may cause spurious noise to be superimposed on the V_{OL} s of ALE and ports 1 and 3. The noise is due to external bus capacitance discharging into the port 0 and port 2 pins when these pins make 1-to-0 transitions during bus operations. In the worst cases (capacitive loading > 100pF), the noise pulse on the ALE pin may exceed 0.8V. In such cases, it may be desirable to qualify ALE with a Schmitt Trigger, or use an address latch with a Schmitt Trigger STROBE input. I_{OL} can exceed these conditions provided that no single output sinks more than 5mA and no more than two outputs exceed the test conditions.
- Capacitive loading on ports 0 and 2 may cause the V_{OH} on ALE and \overline{PSEN} to momentarily fall below the 0.9 V_{DD} specification when the address bits are stabilizing.
- The following condition must not be exceeded: $V_{DD} - 0.2\text{V} < AV_{DD} < V_{DD} + 0.2\text{V}$.
- Conditions: $AV_{REF-} = 0\text{V}$; $AV_{DD} = 5.0\text{V}$, AV_{REF+} (80C552, 83C552) = 5.12V. ADC is monotonic with no missing codes. Measurement by continuous conversion of $AV_{IN} = -20\text{mV}$ to 5.12V in steps of 0.5mV.
- The differential non-linearity (DL_e) is the difference between the actual step width and the ideal step width. (See Figure 1.)
- The ADC is monotonic; there are no missing codes.
- The integral non-linearity (IL_e) is the peak difference between the center of the steps of the actual and the ideal transfer curve after appropriate adjustment of gain and offset error. (See Figure 1.)
- The offset error (OS_e) is the absolute difference between the straight line which fits the actual transfer curve (after removing gain error), and a straight line which fits the ideal transfer curve. (See Figure 1.)
- The gain error (G_e) is the relative difference in percent between the straight line fitting the actual transfer curve (after removing offset error), and the straight line which fits the ideal transfer curve. Gain error is constant at every point on the transfer curve. (See Figure 1.)
- The absolute voltage error (A_e) is the maximum difference between the center of the steps of the actual transfer curve of the non-calibrated ADC and the ideal transfer curve.
- This should be considered when both analog and digital signals are simultaneously input to port 5.

Single-chip 8-bit microcontroller

80C552/83C552



Single-chip 8-bit microcontroller

80C552/83C552

AC ELECTRICAL CHARACTERISTICS^{1, 2}

16 MHz version

SYMBOL	FIGURE	PARAMETER	16MHz CLOCK		VARIABLE CLOCK		UNIT
			MIN	MAX	MIN	MAX	
1/ t_{CLCL}	2	Oscillator frequency			1.2	16	MHz
t_{LHLL}	2	ALE pulse width	85		$2t_{CLCL}-40$		ns
t_{AVLL}	2	Address valid to ALE low	8		$t_{CLCL}-55$		ns
t_{LLAX}	2	Address hold after ALE low	28		$t_{CLCL}-35$		ns
t_{LLIV}	2	ALE low to valid instruction in		150		$4t_{CLCL}-100$	ns
t_{LLPL}	2	ALE low to PSEN low	23		$t_{CLCL}-40$		ns
t_{PLPH}	2	PSEN pulse width	143		$3t_{CLCL}-45$		ns
t_{PLIV}	2	PSEN low to valid instruction in		83		$3t_{CLCL}-105$	ns
t_{PXIX}	2	Input instruction hold after PSEN	0		0		ns
t_{PXIZ}	2	Input instruction float after PSEN		38		$t_{CLCL}-25$	ns
t_{AVIV}	2	Address to valid instruction in		208		$5t_{CLCL}-105$	ns
t_{PLAZ}	2	PSEN low to address float		10		10	ns
Data Memory							
t_{RLRH}	3	RD pulse width	275		$6t_{CLCL}-100$		ns
t_{WLWH}	4	WR pulse width	275		$6t_{CLCL}-100$		ns
t_{RLDV}	3	RD low to valid data in		148		$5t_{CLCL}-165$	ns
t_{RHDX}	3	Data hold after RD	0		0		ns
t_{RHDZ}	3	Data float after RD		55		$2t_{CLCL}-70$	ns
t_{LLDV}	3	ALE low to valid data in		350		$8t_{CLCL}-150$	ns
t_{AVDV}	3	Address to valid data in		398		$9t_{CLCL}-165$	ns
t_{LLWL}	3, 4	ALE low to RD or WR low	138	238	$3t_{CLCL}-50$	$3t_{CLCL}+50$	ns
t_{AVWL}	3, 4	Address valid to WR low or RD low	120		$4t_{CLCL}-130$		ns
t_{QVWX}	4	Data valid to WR transition	3		$t_{CLCL}-60$		ns
t_{DW}	4	Data before WR	288		$7t_{CLCL}-150$		ns
t_{WHQX}	4	Data hold after WR	13		$t_{CLCL}-50$		ns
t_{RLAZ}	3	RD low to address float		0		0	ns
t_{WHLH}	3, 4	RD or WR high to ALE high	23	103	$t_{CLCL}-40$	$t_{CLCL}+40$	ns
External Clock							
t_{CHCX}	5	High time ⁴	20		20		ns
t_{CLCX}	5	Low time ⁴	20		20		ns
t_{CLCH}	5	Rise time ⁴		20		20	ns
t_{CHCL}	5	Fall time ⁴		20		20	ns
Serial Timing – Shift Register Mode⁴ (Test Conditions: $T_{amb} = 0^{\circ}\text{C}$ to $+70^{\circ}\text{C}$; $V_{SS} = 0\text{V}$; Load Capacitance = 80pF)							
t_{XLXL}	6	Serial port clock cycle time	0.75		$12t_{CLCL}$		μs
t_{QVXH}	6	Output data setup to clock rising edge	492		$10t_{CLCL}-133$		ns
t_{XHQX}	6	Output data hold after clock rising edge	8		$2t_{CLCL}-117$		ns
t_{XHDX}	6	Input data hold after clock rising edge	0		0		ns
t_{XHDV}	6	Clock rising edge to input data valid		492		$10t_{CLCL}-133$	ns

NOTES:

- Parameters are valid over operating temperature range unless otherwise specified.
- Load capacitance for port 0, ALE, and PSEN = 100pF, load capacitance for all other outputs = 80pF.
- $t_{CLCL} = 1/f_{OSC}$ = one oscillator clock period.
 $t_{CLCL} = 83.3\text{ns}$ at $f_{OSC} = 12\text{MHz}$.
 $t_{CLCL} = 62.5\text{ns}$ at $f_{OSC} = 16\text{MHz}$.
- These values are characterized but not 100% production tested.

Single-chip 8-bit microcontroller

80C552/83C552

AC ELECTRICAL CHARACTERISTICS (Continued)^{1, 2}

24/30 MHz version

SYMBOL	FIGURE	PARAMETER	24MHz CLOCK		30MHz CLOCK		VARIABLE CLOCK		UNIT
			MIN	MAX	MIN	MAX	MIN	MAX	
1/t _{CLCL}	2	Oscillator frequency					1.2	24	MHz
t _{LHLL}	2	ALE pulse width	43		27		2t _{CLCL} -40		ns
t _{AVLL}	2	Address valid to ALE low	17		8		t _{CLCL} -25		ns
t _{LLAX}	2	Address hold after ALE low	17		8		t _{CLCL} -25		ns
t _{LLIV}	2	ALE low to valid instruction in		102		68		4t _{CLCL} -65	ns
t _{LLPL}	2	ALE low to PSEN low	17		8		t _{CLCL} -25		ns
t _{PLPH}	2	PSEN pulse width	80		55		3t _{CLCL} -45		ns
t _{PLIV}	2	PSEN low to valid instruction in		65		40		3t _{CLCL} -60	ns
t _{PXIX}	2	Input instruction hold after PSEN	0		0		0		ns
t _{PXIZ}	2	Input instruction float after PSEN		17		8		t _{CLCL} -25	ns
t _{AVIV}	2	Address to valid instruction in		128		87		5t _{CLCL} -80	ns
t _{PLAZ}	2	PSEN low to address float		10		10		10	ns
Data Memory									
t _{RLRH}	3	RD pulse width	150		100		6t _{CLCL} -100		ns
t _{WLWH}	4	WR pulse width	150		100		6t _{CLCL} -100		ns
t _{RLDV}	3	RD low to valid data in		118		77		5t _{CLCL} -90	ns
t _{RHDX}	3	Data hold after RD	0		0		0		ns
t _{RHDZ}	3	Data float after RD		55		39		2t _{CLCL} -28	ns
t _{LLDV}	3	ALE low to valid data in		183		117		8t _{CLCL} -150	ns
t _{AVDV}	3	Address to valid data in		210		135		9t _{CLCL} -165	ns
t _{LLWL}	3, 4	ALE low to RD or WR low	75	175	50	150	3t _{CLCL} -50	3t _{CLCL} +50	ns
t _{AVWL}	3, 4	Address valid to WR low or RD low	92		58		4t _{CLCL} -75		ns
t _{QVWX}	4	Data valid to WR transition	12		3		t _{CLCL} -30		ns
t _{DW}	4	Data before WR	162		103		7t _{CLCL} -130		ns
t _{WHQX}	4	Data hold after WR	17		8		t _{CLCL} -25		ns
t _{RLAZ}	3	RD low to address float		0		0		0	ns
t _{WHLH}	3, 4	RD or WR high to ALE high	17	67	8	58	t _{CLCL} -25	t _{CLCL} +25	ns
External Clock									
t _{CHCX}	5	High time ³	17		15		17		ns
t _{CLCX}	5	Low time ³	17		15		17		ns
t _{CLCH}	5	Rise time ³		5		3		20	ns
t _{CHCL}	5	Fall time ³		5		3		20	ns
Serial Timing – Shift Register Mode³ (Test Conditions: T_{amb} = 0°C to +70°C; V_{SS} = 0V; Load Capacitance = 80pF)									
t _{XLXL}	6	Serial port clock cycle time	0.5		0.4		12t _{CLCL}		μs
t _{QVXH}	6	Output data setup to clock rising edge	283		200		10t _{CLCL} -133		ns
t _{XHQX}	6	Output data hold after clock rising edge	23		6.6		2t _{CLCL} -60		ns
t _{XHDX}	6	Input data hold after clock rising edge	0		0		0		ns
t _{XHDV}	6	Clock rising edge to input data valid		283		200		10t _{CLCL} -133	ns

NOTES:

- Parameters are valid over operating temperature range unless otherwise specified.
- Load capacitance for port 0, ALE, and PSEN = 100pF, load capacitance for all other outputs = 80pF.
- These values are characterized but not 100% production tested.
- t_{CLCL} = 1/f_{OSC} = one oscillator clock period.
t_{CLCL} = 41.7ns at f_{OSC} = 24MHz.

Single-chip 8-bit microcontroller

80C552/83C552

AC ELECTRICAL CHARACTERISTICS (Continued)

SYMBOL	PARAMETER	INPUT	OUTPUT
I²C Interface (Refer to Figure 9)			
t _{HD,STA}	START condition hold time	≥ 14 t _{CLCL}	> 4.0μs ¹
t _{LOW}	SCL low time	≥ 16 t _{CLCL}	> 4.7μs ¹
t _{HIGH}	SCL high time	≥ 14 t _{CLCL}	> 4.0μs ¹
t _{RC}	SCL rise time	≤ 1μs	– ²
t _{FC}	SCL fall time	≤ 0.3μs	< 0.3μs ³
t _{SU,DAT1}	Data set-up time	≥ 250ns	> 20 t _{CLCL} – t _{RD}
t _{SU,DAT2}	SDA set-up time (before rep. START cond.)	≥ 250ns	> 1μs ¹
t _{SU,DAT3}	SDA set-up time (before STOP cond.)	≥ 250ns	> 8 t _{CLCL}
t _{HD,DAT}	Data hold time	≥ 0ns	> 8 t _{CLCL} – t _{FC}
t _{SU,STA}	Repeated START set-up time	≥ 14 t _{CLCL}	> 4.7μs ¹
t _{SU,STO}	STOP condition set-up time	≥ 14 t _{CLCL}	> 4.0μs ¹
t _{BUF}	Bus free time	≥ 14 t _{CLCL}	> 4.7μs ¹
t _{RD}	SDA rise time	≤ 1μs	– ²
t _{FD}	SDA fall time	≤ 0.3μs	< 0.3μs ³

NOTES:

- At 100 kbit/s. At other bit rates this value is inversely proportional to the bit-rate of 100 kbit/s.
- Determined by the external bus-line capacitance and the external bus-line pull-resistor, this must be < 1μs.
- Spikes on the SDA and SCL lines with a duration of less than 3 t_{CLCL} will be filtered out. Maximum capacitance on bus-lines SDA and SCL = 400pF.
- t_{CLCL} = 1/f_{OSC} = one oscillator clock period at pin XTAL1. For 62ns, 42ns, 33.3ns < t_{CLCL} < 285ns (16MHz, 24MHz, 30MHz > f_{OSC} > 1.2MHz) the SI01 interface meets the I²C-bus specification for bit-rates up to 100 kbit/s.

Single-chip 8-bit microcontroller

80C552/83C552

EXPLANATION OF THE AC SYMBOLS

Each timing symbol has five characters. The first character is always 't' (= time). The other characters, depending on their positions, indicate the name of a signal or the logical status of that signal. The designations are:

- A - Address
- C - Clock
- D - Input data
- H - Logic level high
- I - Instruction (program memory contents)
- L - Logic level low, or ALE
- P - PSEN

- Q - Output data
- R - RD signal
- t - Time
- V - Valid
- W - WR signal
- X - No longer a valid logic level
- Z - Float

Examples: t_{AVLL} = Time for address valid to ALE low.
 t_{LLPL} = Time for ALE low to PSEN low.

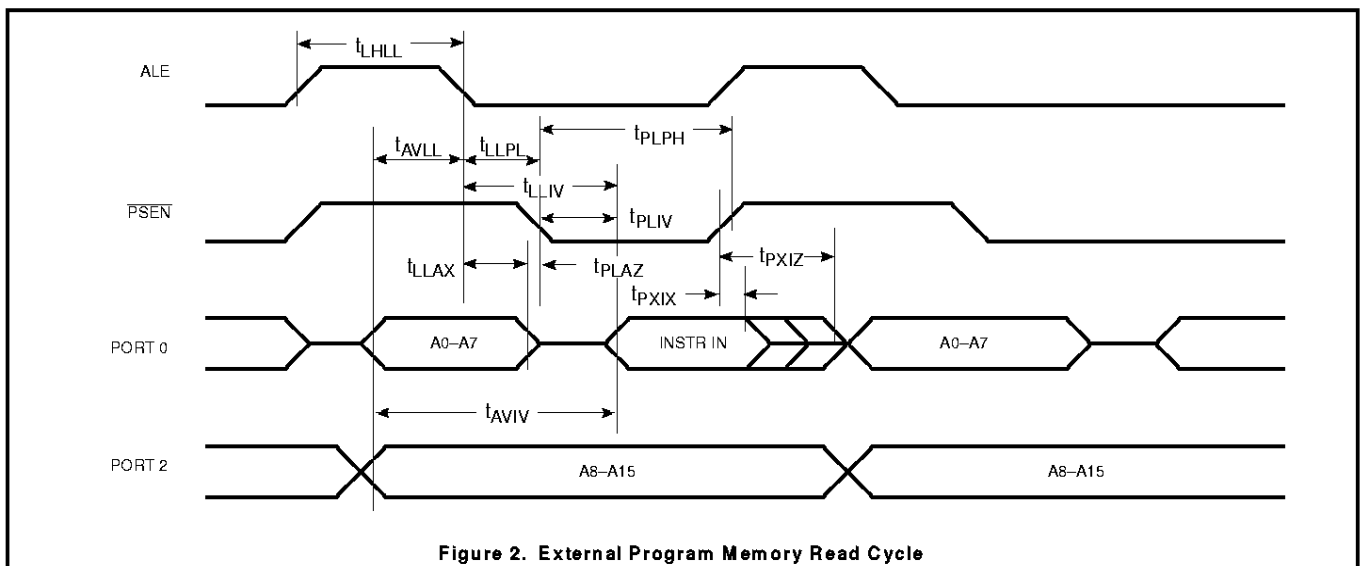


Figure 2. External Program Memory Read Cycle

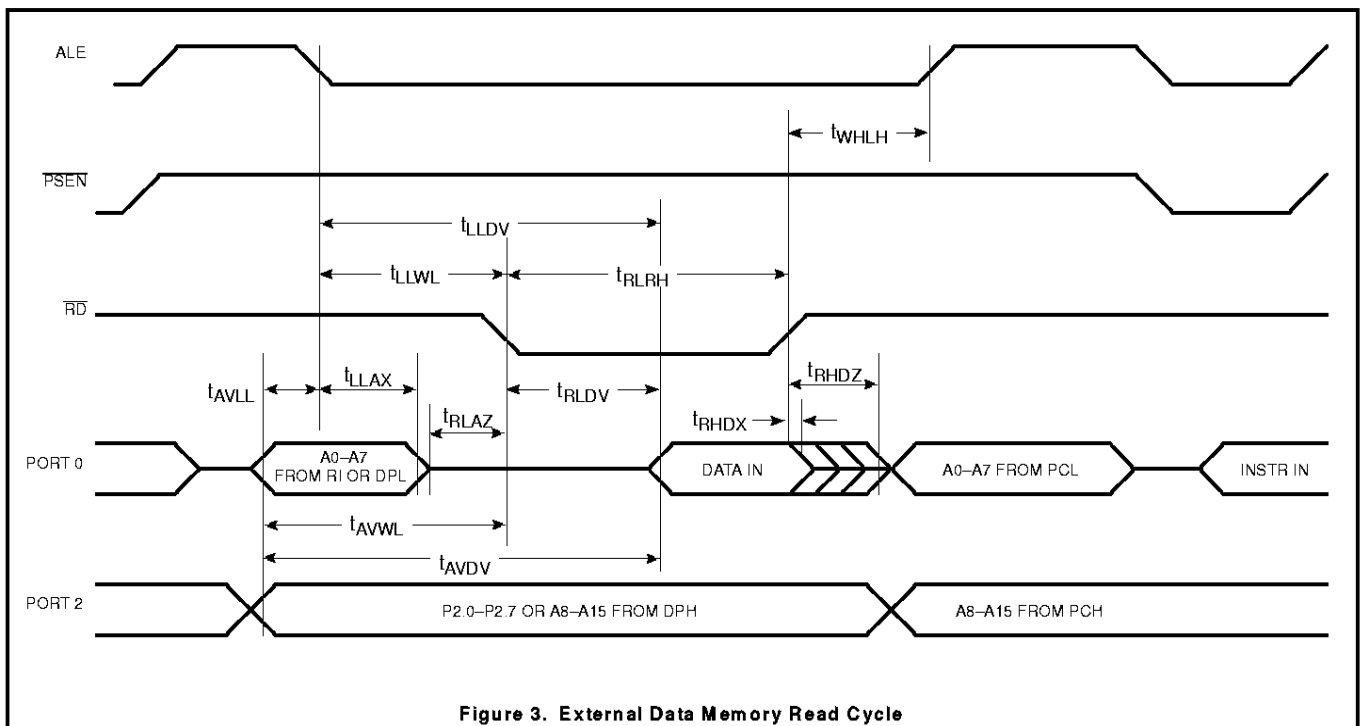
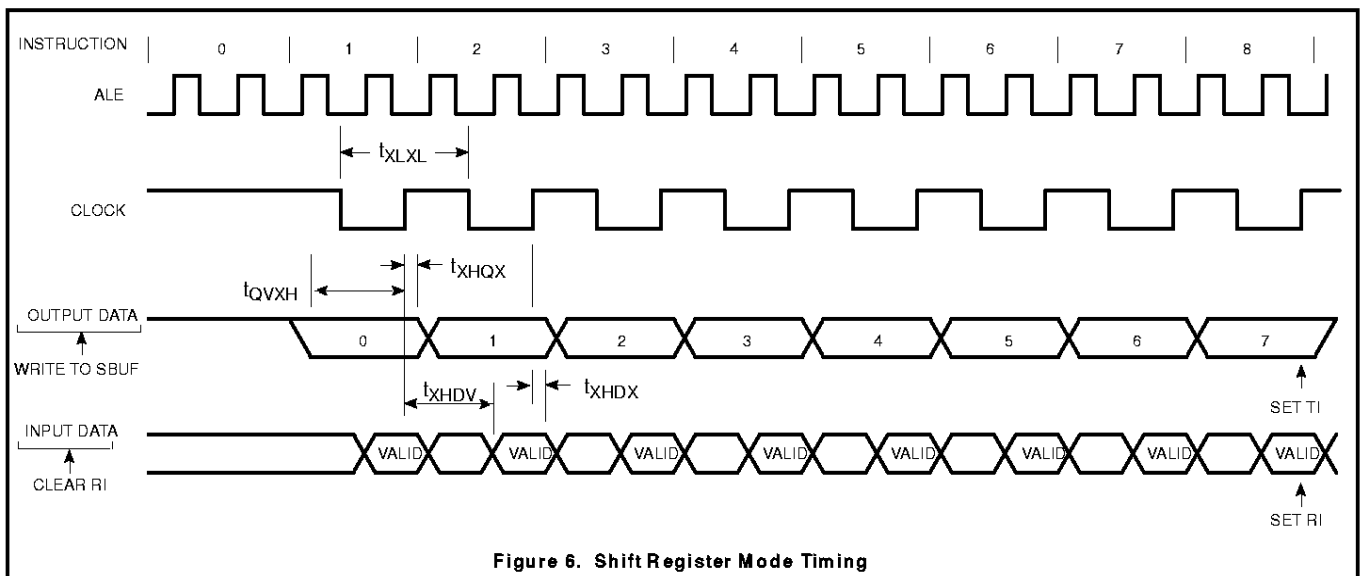
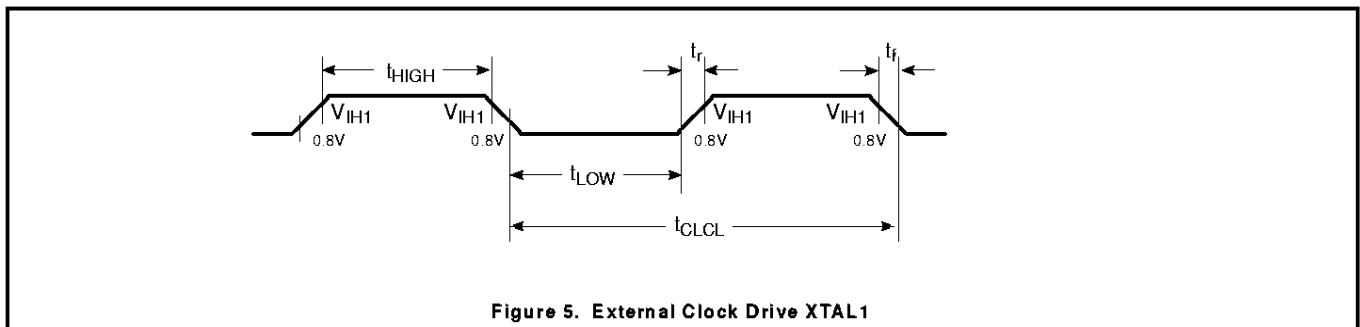
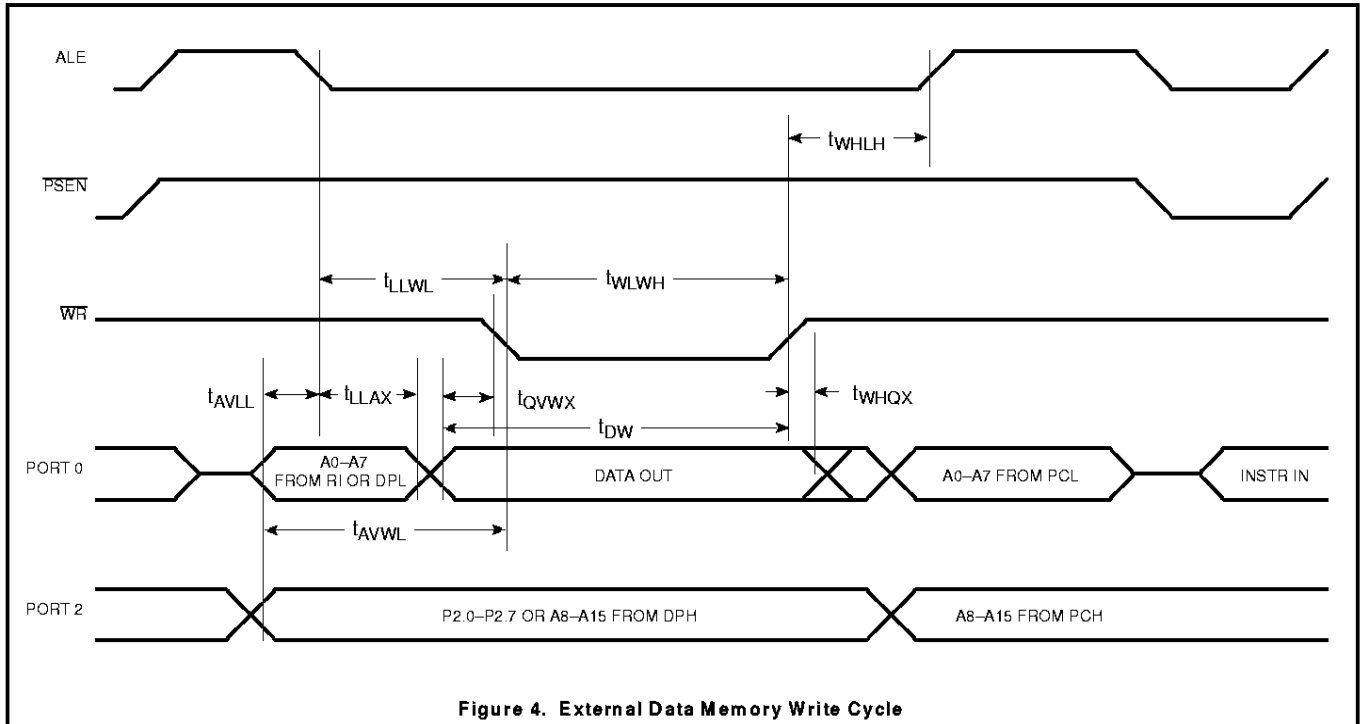


Figure 3. External Data Memory Read Cycle

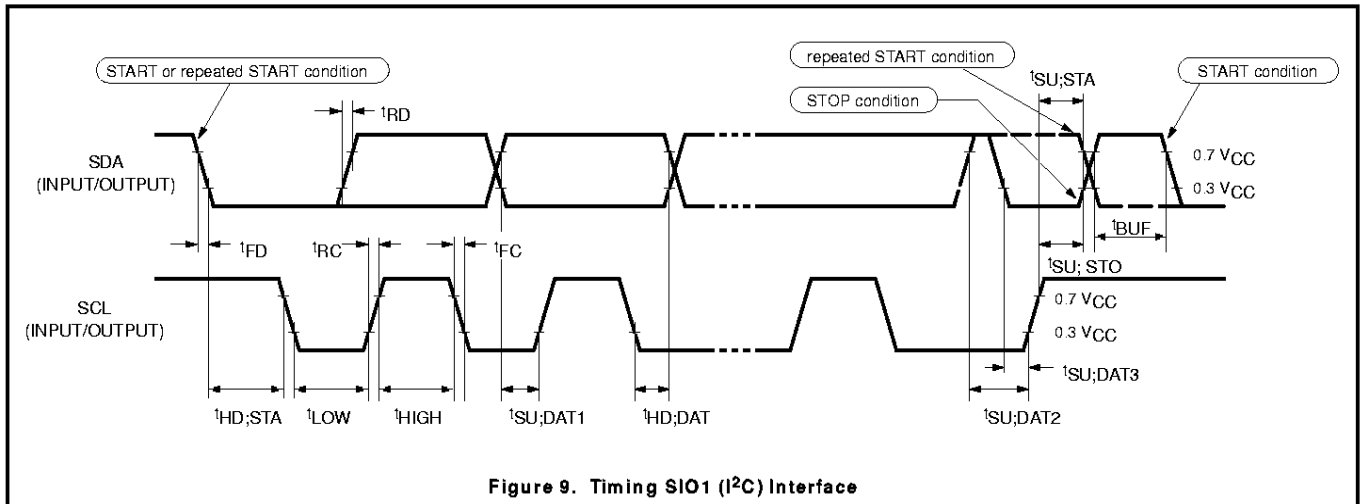
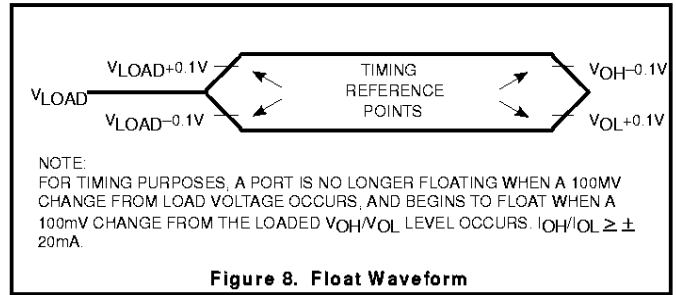
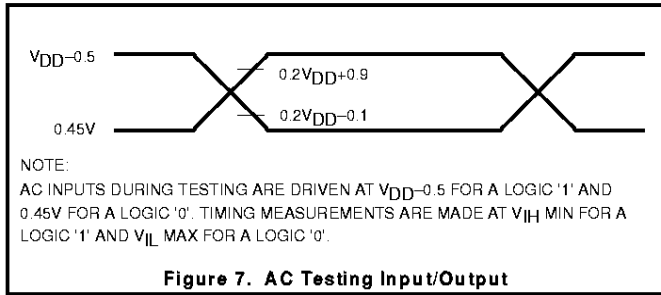
Single-chip 8-bit microcontroller

80C552/83C552



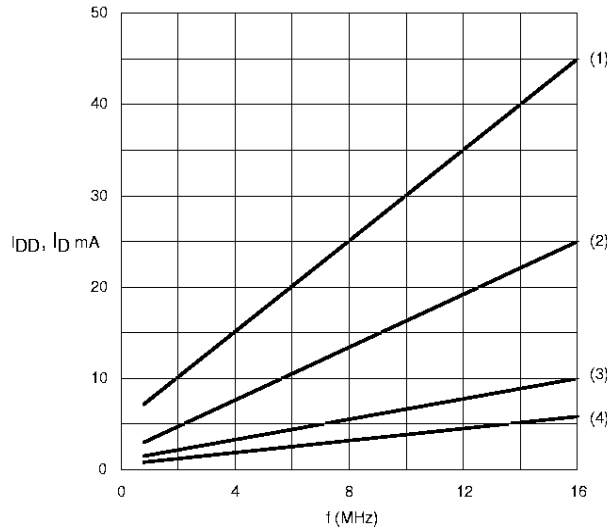
Single-chip 8-bit microcontroller

80C552/83C552



Single-chip 8-bit microcontroller

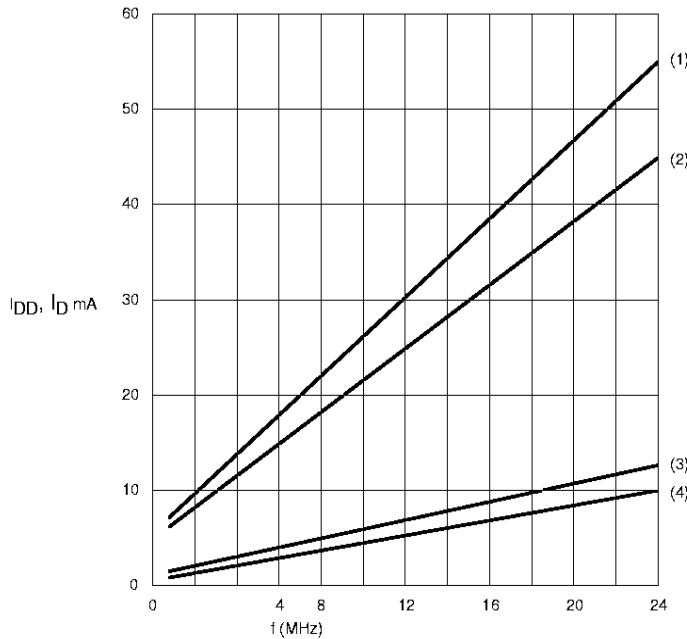
80C552/83C552



- (1) Maximum operating mode; VDD = 6V
- (2) Maximum operating mode; VDD = 4V
- (3) Maximum idle mode; VDD = 6V
- (4) Maximum idle mode; VDD = 4V

NOTE:
These values are valid only within the frequency specifications of the device under test.

Figure 10. 16MHz Version Supply Current (IDD) as a Function of Frequency at XTAL1 (fosc)



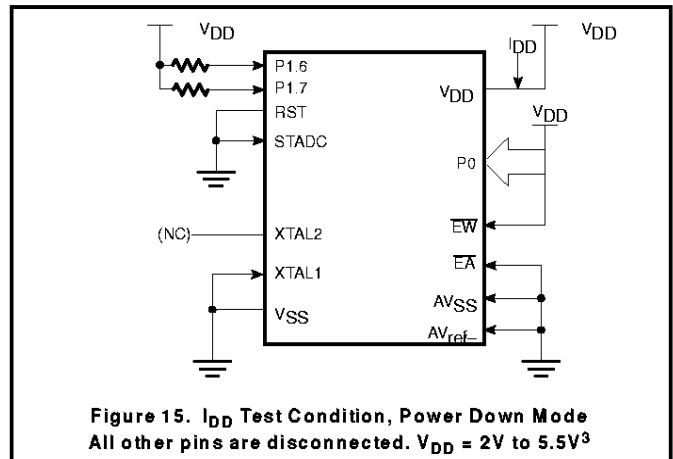
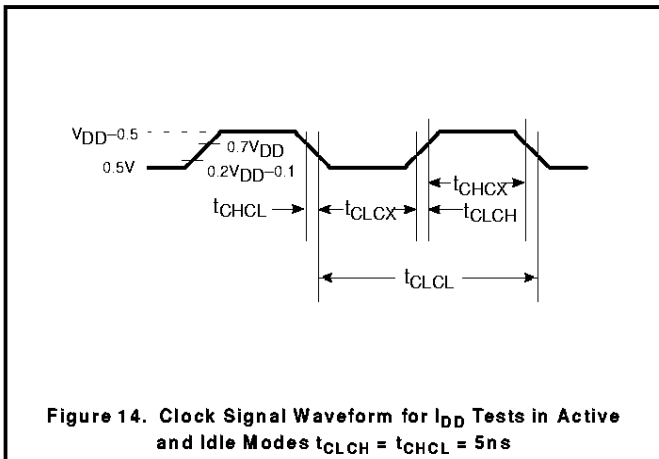
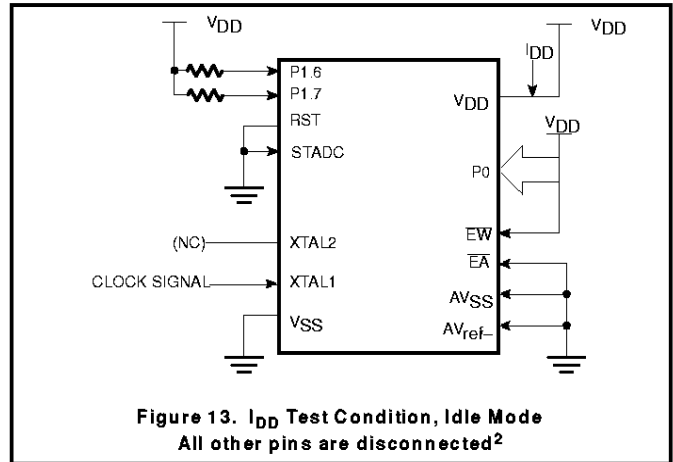
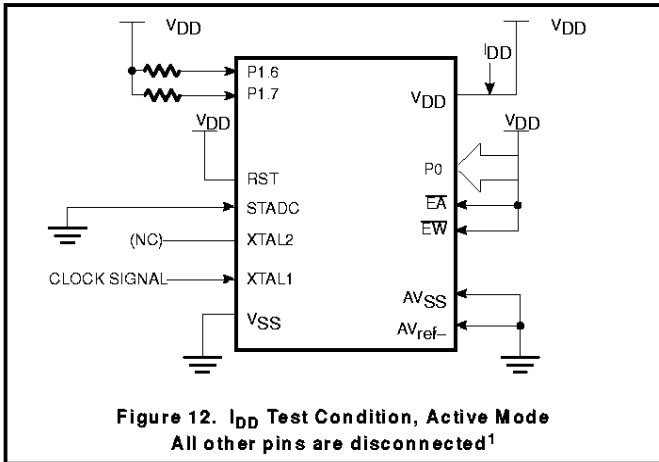
- (1) Maximum operating mode; VDD = 5.5V
- (2) Maximum operating mode; VDD = 4.5V
- (3) Maximum idle mode; VDD = 5.5V
- (4) Maximum idle mode; VDD = 4.5V

NOTE:
These values are valid only within the frequency specifications of the device under test.

Figure 11. 24MHz Version Supply Current (IDD) as a Function of Frequency at XTAL1 (fosc)

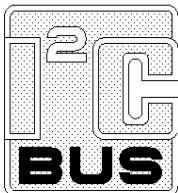
Single-chip 8-bit microcontroller

80C552/83C552



NOTES:

1. Active Mode:
 - a. The following pins must be forced to V_{DD} : \overline{EA} , RST, Port 0, and \overline{EW} .
 - b. The following pins must be forced to V_{SS} : STADC, AV_{SS} , and AV_{ref-} .
 - c. Ports 1.6 and 1.7 should be connected to V_{DD} through resistors of sufficiently high value such that the sink current into these pins cannot exceed the I_{OL1} spec of these pins.
 - d. The following pins must be disconnected: XTAL2 and all pins not specified above.
2. Idle Mode:
 - a. The following pins must be forced to V_{DD} : Port 0 and \overline{EW} .
 - b. The following pins must be forced to V_{SS} : RST, STADC, AV_{SS} , AV_{ref-} , and \overline{EA} .
 - c. Ports 1.6 and 1.7 should be connected to V_{DD} through resistors of sufficiently high value such that the sink current into these pins cannot exceed the I_{OL1} spec of these pins. These pins must not have logic 0 written to them prior to this measurement.
 - d. The following pins must be disconnected: XTAL2 and all pins not specified above.
3. Power Down Mode:
 - a. The following pins must be forced to V_{DD} : Port 0 and \overline{EW} .
 - b. The following pins must be forced to V_{SS} : RST, STADC, XTAL1, AV_{SS} , AV_{ref-} , and \overline{EA} .
 - c. Ports 1.6 and 1.7 should be connected to V_{DD} through resistors of sufficiently high value such that the sink current into these pins cannot exceed the I_{OL1} spec of these pins. These pins must not have logic 0 written to them prior to this measurement.
 - d. The following pins must be disconnected: XTAL2 and all pins not specified above.



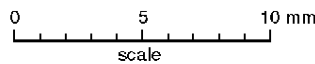
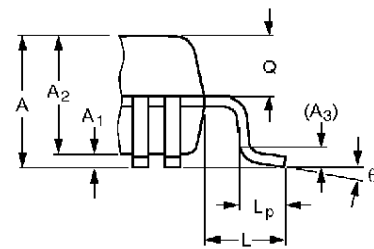
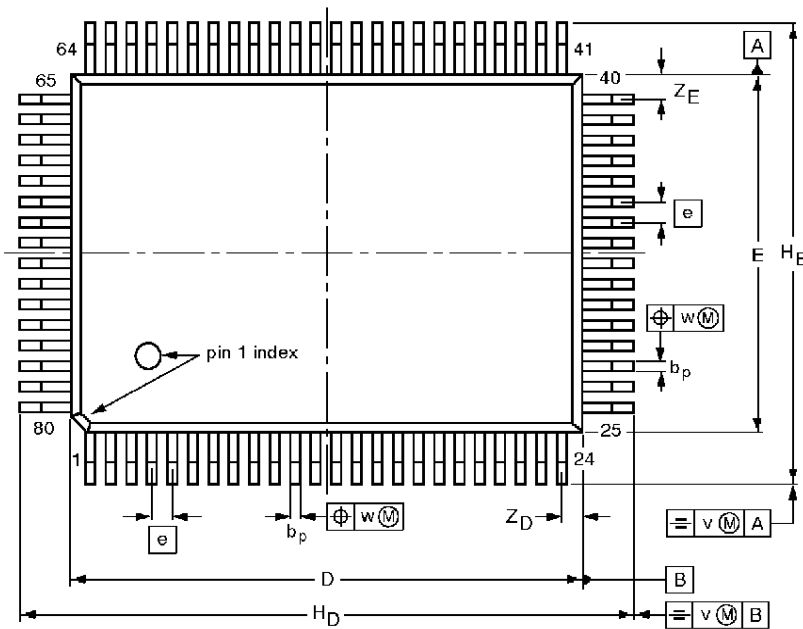
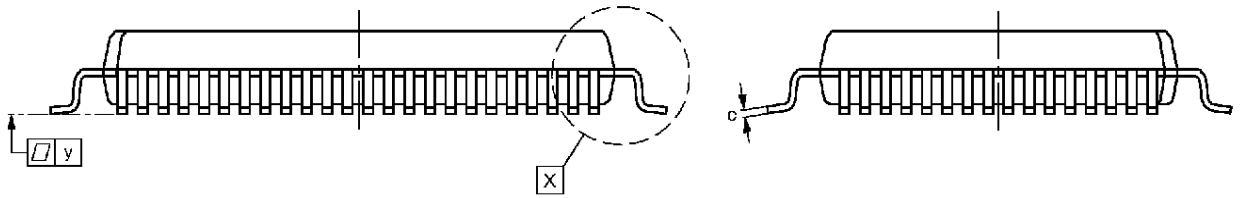
Purchase of Philips I²C components conveys a license under the Philips' I²C patent to use the components in the I²C system provided the system conforms to the I²C specifications defined by Philips. This specification can be ordered using the code 9398 393 40011.

Single-chip 8-bit microcontroller

80C552/83C552

QFP80: plastic quad flat package; 80 leads (lead length 1.95 mm); body 14 x 20 x 2.8 mm

SOT318-2



DIMENSIONS (mm are the original dimensions)

UNIT	A max.	A ₁	A ₂	A ₃	b _p	c	D ⁽¹⁾	E ⁽¹⁾	e	H _D	H _E	L	L _p	Q	v	w	y	Z _D ⁽¹⁾	Z _E ⁽¹⁾	θ
mm	3.2	0.25 0.05	2.90 2.65	0.25	0.45 0.30	0.25 0.14	20.1 19.9	14.1 13.9	0.8	24.2 23.6	18.2 17.6	1.95	1.0 0.6	1.4 1.2	0.2	0.2	0.1	1.0 0.6	1.2 0.8	7° 0°

Note

1. Plastic or metal protrusions of 0.25 mm maximum per side are not included.

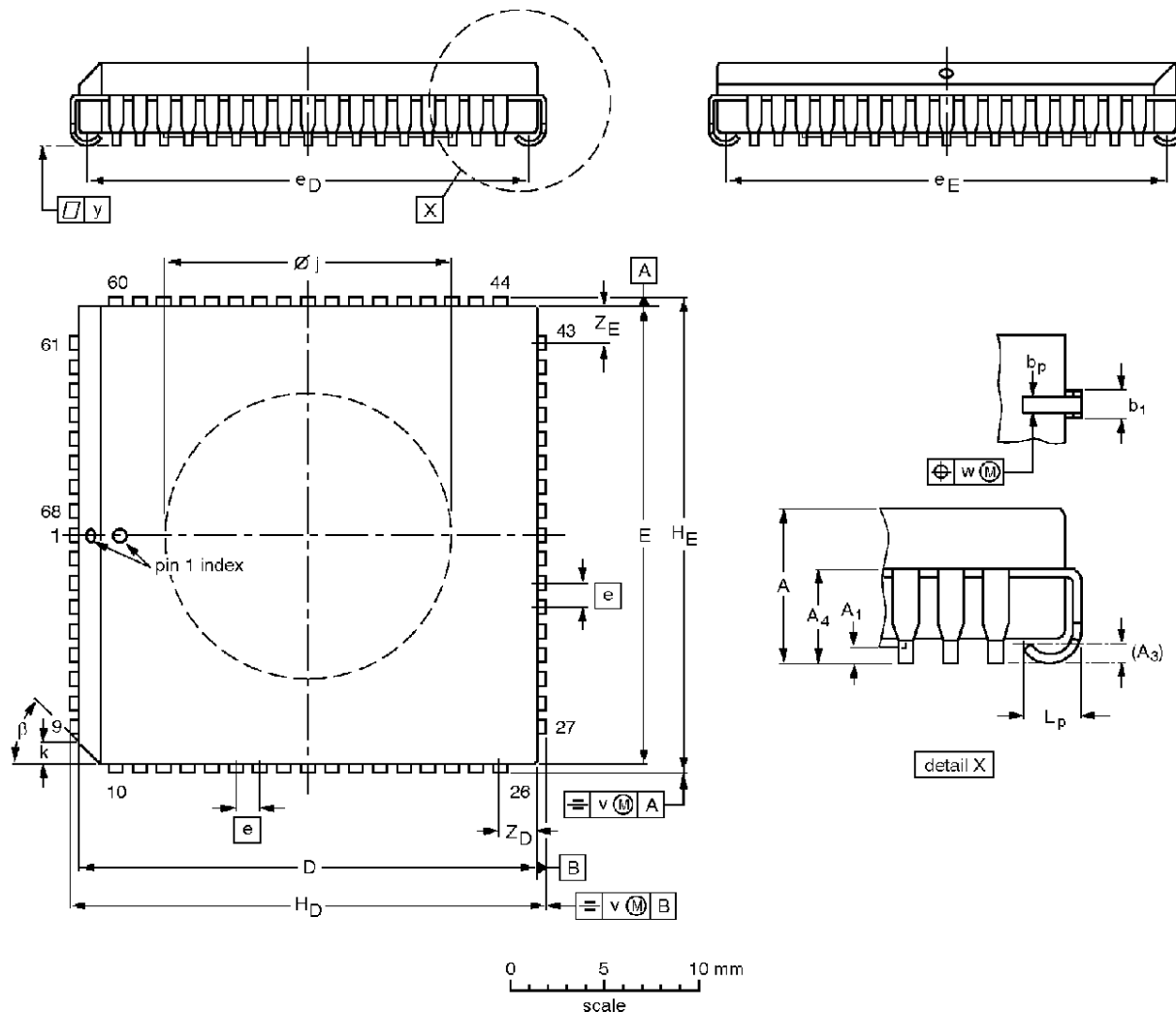
OUTLINE VERSION	REFERENCES				EUROPEAN PROJECTION	ISSUE DATE
	IEC	JEDEC	EIAJ			
SOT318-2						92-12-15 95-02-04

Single-chip 8-bit microcontroller

80C552/83C552

PLCC68: plastic leaded chip carrier; 68 leads; pedestal

SOT188-3



DIMENSIONS (millimetre dimensions are derived from the original inch dimensions)

UNIT	A	A ₁ min.	A ₃	A ₄ max.	b _p	b ₁	D ⁽¹⁾	E ⁽¹⁾	e	e _D	e _E	H _D	H _E	k	∅ _j	L _p	v	w	y	Z _D ⁽¹⁾ max.	Z _E ⁽¹⁾ max.	β
mm	4.57 4.19	0.13	0.25	3.05	0.53 0.33	0.81 0.66	24.33 24.13	24.33 24.13	1.27	23.62 22.61	23.62 22.61	25.27 25.02	25.27 25.02	1.22 1.07	15.34 15.19	1.44 1.02	0.18	0.18	0.10	2.06	2.06	45°
inches	0.180 0.165	0.005	0.01	0.12	0.021 0.013	0.032 0.026	0.958 0.950	0.958 0.950	0.05	0.930 0.890	0.930 0.890	0.995 0.985	0.995 0.985	0.048 0.042	0.604 0.598	0.057 0.040	0.007	0.007	0.004	0.081	0.081	

Note

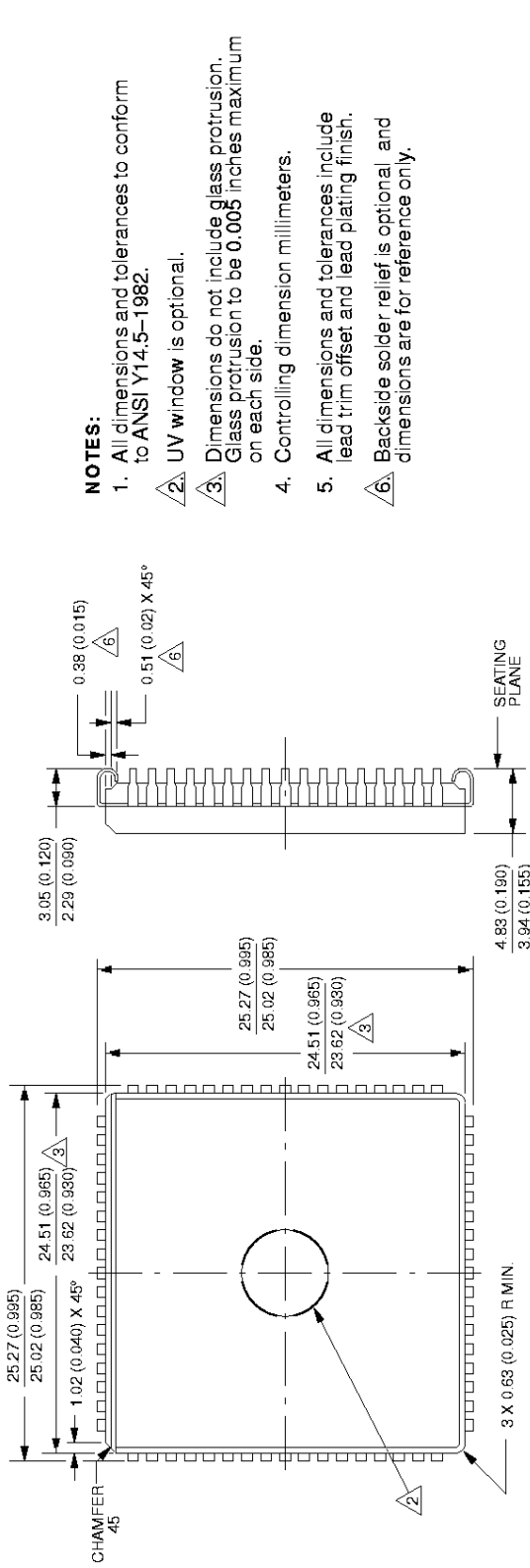
1. Plastic or metal protrusions of 0.01 inches maximum per side are not included.

OUTLINE VERSION	REFERENCES				EUROPEAN PROJECTION	ISSUE DATE
	IEC	JEDEC	EIAJ			
SOT188-3	112E10	MO-047AE				92-11-17 95-02-25

Single-chip 8-bit microcontroller

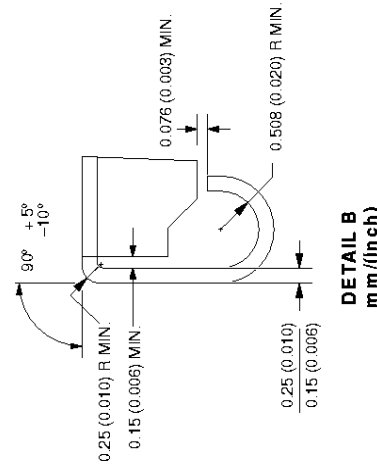
80C552/83C552

1473A 68-PIN CERQUAD J-BEND (K) PACKAGE

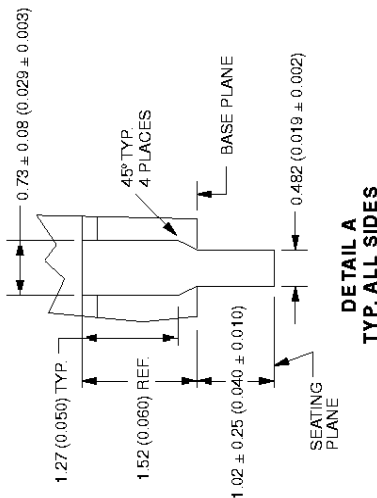


NOTES:

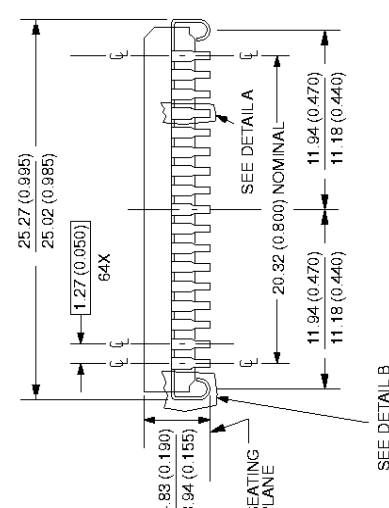
1. All dimensions and tolerances to conform to ANSI Y14.5-1982.
2. UV window is optional.
3. Dimensions do not include glass protrusion. Glass protrusion to be 0.005 inches maximum on each side.
4. Controlling dimension millimeters.
5. All dimensions and tolerances include lead trim offset and lead plating finish.
6. Backside solder relief is optional and dimensions are for reference only.



DETAIL B
mm/(inch)



DETAIL A
TYP. ALL SIDES
mm/(inch)



SEE DETAIL B

853-1473A 05854

Single-chip 8-bit microcontroller

80C552/83C552

NOTES

Single-chip 8-bit microcontroller

80C552/83C552

DEFINITIONS

Data Sheet Identification	Product Status	Definition
<i>Objective Specification</i>	Formative or In Design	This data sheet contains the design target or goal specifications for product development. Specifications may change in any manner without notice.
<i>Preliminary Specification</i>	Preproduction Product	This data sheet contains preliminary data, and supplementary data will be published at a later date. Philips Semiconductors reserves the right to make changes at any time without notice in order to improve design and supply the best possible product.
<i>Product Specification</i>	Full Production	This data sheet contains Final Specifications. Philips Semiconductors reserves the right to make changes at any time without notice, in order to improve design and supply the best possible product.

Philips Semiconductors and Philips Electronics North America Corporation reserve the right to make changes, without notice, in the products, including circuits, standard cells, and/or software, described or contained herein in order to improve design and/or performance. Philips Semiconductors assumes no responsibility or liability for the use of any of these products, conveys no license or title under any patent, copyright, or mask work right to these products, and makes no representations or warranties that these products are free from patent, copyright, or mask work right infringement, unless otherwise specified. Applications that are described herein for any of these products are for illustrative purposes only. Philips Semiconductors makes no representation or warranty that such applications will be suitable for the specified use without further testing or modification.

LIFE SUPPORT APPLICATIONS

Philips Semiconductors and Philips Electronics North America Corporation Products are not designed for use in life support appliances, devices, or systems where malfunction of a Philips Semiconductors and Philips Electronics North America Corporation Product can reasonably be expected to result in a personal injury. Philips Semiconductors and Philips Electronics North America Corporation customers using or selling Philips Semiconductors and Philips Electronics North America Corporation Products for use in such applications do so at their own risk and agree to fully indemnify Philips Semiconductors and Philips Electronics North America Corporation for any damages resulting from such improper use or sale.

Philips Semiconductors
811 East Arques Avenue
P.O. Box 3409
Sunnyvale, California 94088-3409
Telephone 800-234-7381

Philips Semiconductors and Philips Electronics North America Corporation register eligible circuits under the Semiconductor Chip Protection Act.
 © Copyright Philips Electronics North America Corporation 1996
 All rights reserved. Printed in U.S.A.

Let's make things better.