

STACKED D-SUB ORDERING CODE

PDI- **B** **A** - **H**

NUMBER OF PINS	9 PIN TOP/9 PIN BOTTOM	=A
	9 PIN TOP/25 PIN BOTTOM	=B
	25 PIN TOP/9 PIN BOTTOM	=C
	25 PIN TOP/25 PIN BOTTOM	=D
	15 PIN TOP/15 PIN BOTTOM	=E
	9 PIN TOP/15HD PIN BOTTOM	=F
	9 PIN TOP/15 PIN BOTTOM	=G
	37 PIN TOP/37 PIN BOTTOM	=H

GENDER	MALE TOP/MALE BOTTOM	=A
	MALE TOP/FEMALE BOTTOM	=B
	FEMALE TOP/MALE BOTTOM	=C
	FEMALE TOP/FEMALE BOTTOM	=D

D-SUB SPACING (CENTER TO CENTER)	15.88mm	= BLANK
	19.05mm	=A
	22.86mm	=B

MATING FACE	4-40 THREADED RIVET	=BLANK
	4-40 THREADED RIVET & JACK SCREW (UNASSEMBLED)	=P
	4-40 THREADED RIVET & JACK SCREW	=R

P.C.B. FACE	ONE SET OF BOARD LOCKS	=BLANK
	HOLE	=H
	THREADED HOLE	=T
	TWO SETS OF BOARDLOCKS	=V

GOLD PLATING (XX IS GOLD IN MICRO INCHES)	=GXX
GOLD FLASH (STANDARD)	=BLANK

6

5

4

3

2

1

MATERIAL AND FINISH

Insulator: PBT & glass fiber reinforced, UL 94V-0 rated.
Shell: Steel, Tin plated.
Contacts: Copper alloy, Gold plating on mating area, Tin on solder tail over Nickel.

ELECTRICAL SPECIFICATIONS:

Rated current: 3A max.
Rated voltage: 250V max.
Contact resistance: 25 mohm max.
Insulation resistance: 3000 Mohm min. @ 500VDC
Dielectric withstanding voltage: 1000VAC / 1 MIN.

ENVIRONMENTAL:

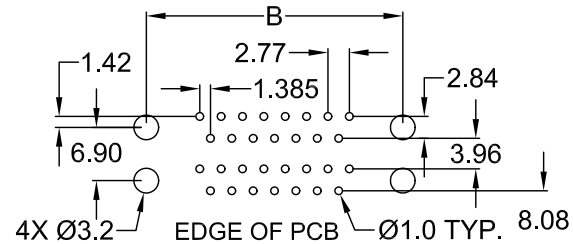
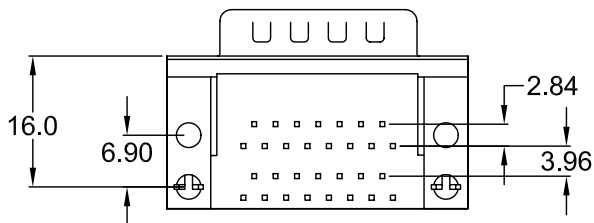
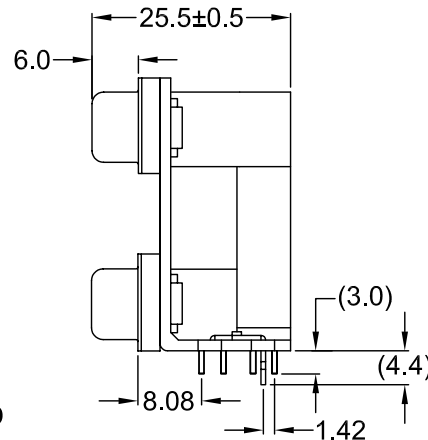
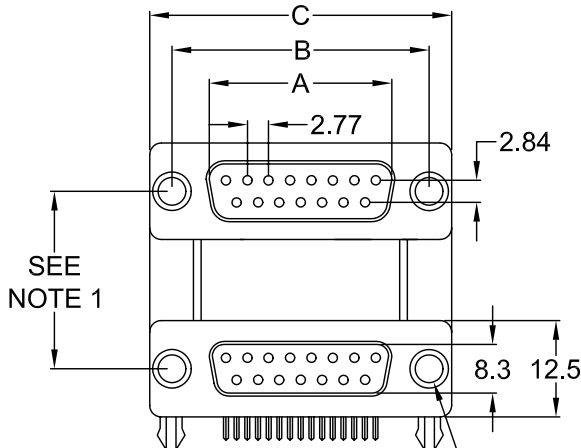
Operating temperature: -55°C ~ +105°C

NOTE:

1. D-sub spacing. See ordering code for options.

X-XXX: SEE ORDERING CODE FOR OPTIONS

POSITIONS	A	B	C
09	16.9	25.0	30.8
15	25.3	33.3	39.2
25	39.0	47.1	53.1
37	55.2	63.5	69.4



RECOMMENDED PCB LAYOUT (TOP VIEW)
TOLERANCES: ±0.10mm

P/N	No. of Pos.
PDI-AAX-XXX	9 TOP/ 9 BOTTOM
PDI-BAX-XXX	9 TOP/25 BOTTOM
PDI-CAX-XXX	25 TOP/9 BOTTOM
PDI-DAX-XXX	25 TOP/25 BOTTOM
PDI-EAX-XXX	15 TOP/ 15 BOTTOM
PDI-FAX-XXX	9 TOP/15HD BOTTOM
PDI-GAX-XXX	9 TOP/15 BOTTOM
PDI-HAX-XXX	37 TOP/37 BOTTOM

TOLERANCE UNLESS OTHERWISE SPECIFIED	
X	± 1
X.X	± 0.4
X.XX	± 0.20
DRAWN BY	DF
CHECK BY	DATE: 2/15/06
APPR BY	DATE:

Power Dynamics, Inc.

Phone: 973 560-0019 Whippany, New Jersey Fax: 973 560-0076

PART: STACKED D-SUB, PCB MOUNT
MALE TOP/ MALE BOTTOM

PART #: PDI-XAX-XXX		SHEET 1 of 1
SIZE: A	ALL DIMENSIONS FOR REFERENCE ONLY DIMENSIONS ARE IN MILLIMETERS	REV:
SCALE: NTS		

D

C

B

A

REVISIONS	CHNG	CHK	APPR
	CHANGE		
	DATE		
	REV		

6

5

4

3

2

1

6

5

4

3

2

1

MATERIAL AND FINISH

Insulator: PBT & glass fiber reinforced, UL 94V-0 rated.
Shell: Steel, Tin plated.
Contacts: Copper alloy, Gold plating over Nickel on mating area, Tin on solder tail over Nickel.

ELECTRICAL SPECIFICATIONS:

Rated current: 3A
Rated voltage: 250V Max.
Contact resistance: 15 mohm
Insulation resistance: 3000 Mohm min @ 500VDC
Dielectric withstanding voltage: 1000VAC / 1 MIN.

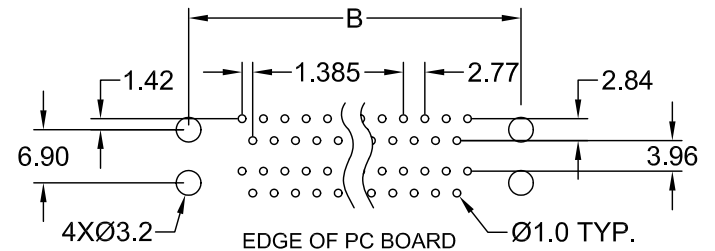
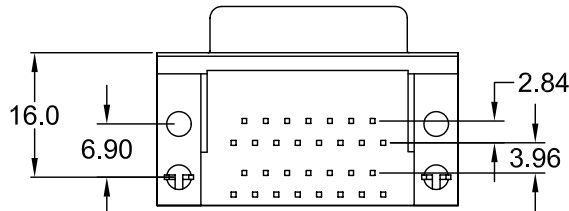
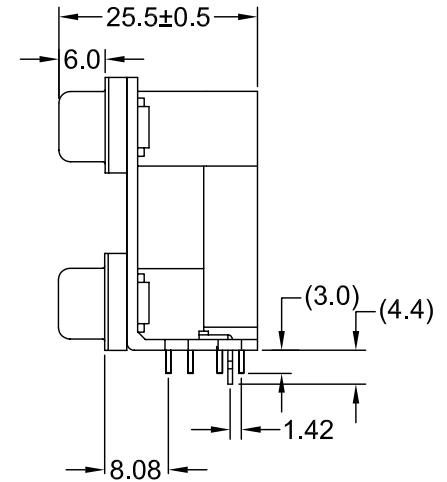
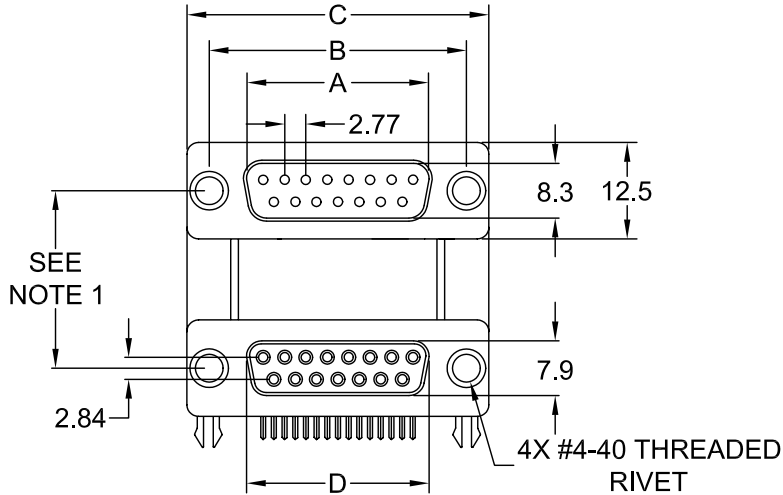
ENVIRONMENTAL:

Operating temperature: -55°C to +105°C

NOTE:

1. D-sub spacing. See ordering code for options.

POSITION	A	B	C	D
09	16.9	25.0	30.8	16.3
15	25.3	33.3	39.2	24.6
25	39.0	47.1	53.1	38.3
37	55.2	63.5	69.4	54.8



**RECOMMENDED
PCB LAYOUT (TOP VIEW)
TOLERANCES: ±0.10mm**

X-XXX: SEE ORDERING CODE FOR OPTIONS

P/N	No. of Pos.
PDI-ABX-XXX	9 TOP/ 9 BOTTOM
PDI-BBX-XXX	9 TOP/25 BOTTOM
PDI-CBX-XXX	25 TOP/9 BOTTOM
PDI-DBX-XXX	25 TOP/25 BOTTOM
PDI-EBX-XXX	15 TOP/ 15 BOTTOM
PDI-FBX-XXX	9 TOP/15HD BOTTOM
PDI-GBX-XXX	9 TOP/15 BOTTOM
PDI-HBX-XXX	37 TOP/37 BOTTOM

TOLERANCE UNLESS OTHERWISE SPECIFIED	
X	± 1
X.X	± 0.4
X.XX	± 0.20
DRAWN BY: DF	DATE: 2/16/06
CHECK BY:	DATE:
APPR BY:	DATE:

Power Dynamics, Inc.
Phone: 973 560-0019 Whippany, New Jersey Fax: 973 560-0076

**PART: STACKED D-SUB, PCB MOUNT
MALE TOP/FEMALE BOTTOM**

PDI-XBX-XXX		SHEET 1 of 1
PART #:	SIZE: A	ALL DIMENSIONS FOR REFERENCE ONLY DIMENSIONS ARE IN MILLIMETERS
SCALE: NTS	REV:	

6

5

4

3

2

1

D

C

B

A

REV	DATE	CHANGE	CHK	CHK	APPR

6

5

4

3

2

1

MATERIAL AND FINISH

Insulator: PBT & glass fiber reinforced, UL 94V-0 rated.
Shell: Steel, Tin plated.
Contacts: Copper alloy, Gold plating on mating area, Tin on solder tail over Nickel.

ELECTRICAL SPECIFICATIONS:

Rated current: 3A
Rated voltage: 250V max.
Contact resistance: 25 mohm max.
Insulation resistance: 3000 Mohm min. @ 500VDC
Dielectric withstanding voltage: 1000VAC / 1 MIN.

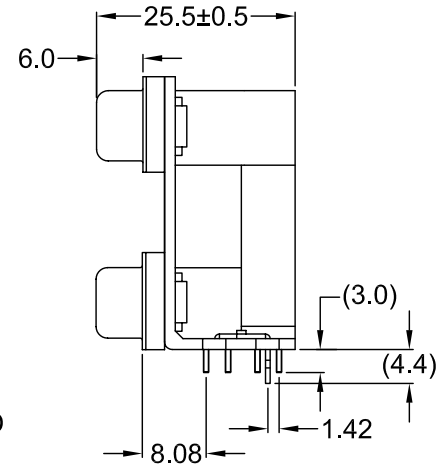
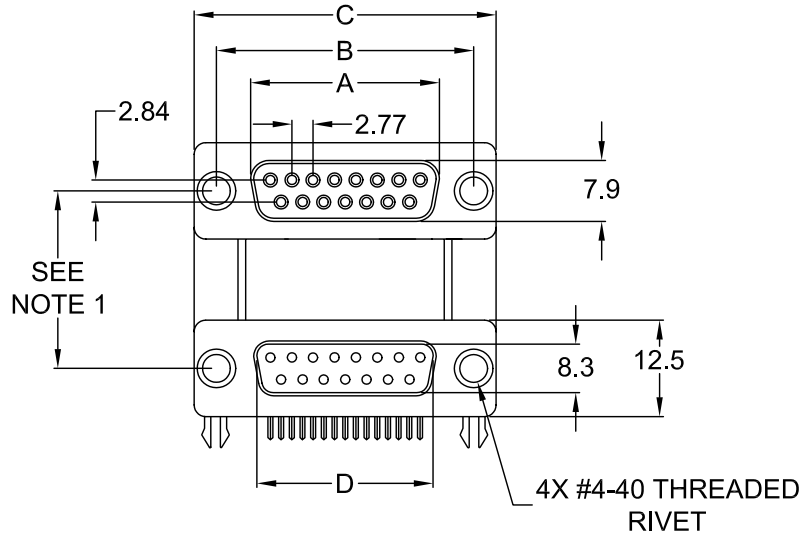
ENVIRONMENTAL:

Operating temperature: -55°C to +105°C

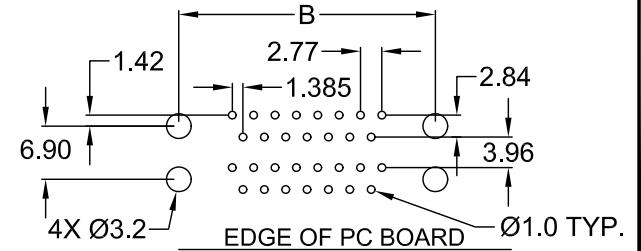
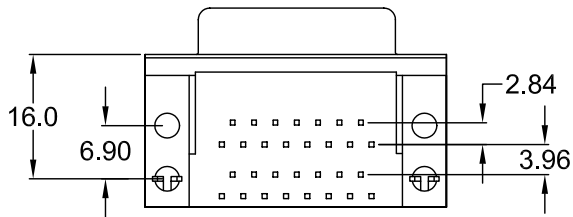
NOTE:

1. D-sub spacing. See ordering code for options.

POSITION	A	B	C	D
09	16.3	25.0	30.8	16.9
15	24.6	33.3	39.2	25.3
25	38.3	47.1	53.1	39.0
37	54.8	63.5	69.4	55.2



X-XXX: SEE ORDERING CODE FOR OPTIONS



RECOMMENDED PCB LAYOUT (TOP VIEW)
TOLERANCES: ±0.10mm

REVISIONS	CHNG	CHK	APPR
	CHANGE		
	BATE		
	REV		

P/N	No. of Pos.
PDI-ACX-XXX	9 TOP/ 9 BOTTOM
PDI-BCX-XXX	9 TOP/25 BOTTOM
PDI-CCX-XXX	25 TOP/9 BOTTOM
PDI-DCX-XXX	25 TOP/25 BOTTOM
PDI-ECX-XXX	15 TOP/ 15 BOTTOM
PDI-FCX-XXX	9 TOP/15HD BOTTOM
PDI-GCX-XXX	9 TOP/15 BOTTOM
PDI-HCX-XXX	37 TOP/37 BOTTOM

TOLERANCE UNLESS OTHERWISE SPECIFIED	
X	± 1
X.X	± 0.4
X.XX	± 0.20
DRAWN BY	DF
CHECK BY	DATE: 2/16/06
APPR BY	DATE:
	DATE:

Power Dynamics, Inc.
Phone: 973 560-0019 Whippany, New Jersey Fax: 973 560-0076

PART: STACKED D-SUB, PCB MOUNT
FEMALE TOP/MALE BOTTOM

PART #: PDI-XCX-XXX		SHEET 1 of 1
SIZE: A	ALL DIMENSIONS FOR REFERENCE ONLY DIMENSIONS ARE IN MILLIMETERS	REV:
SCALE: NTS		

6

5

4

3

2

1

6

5

4

3

2

1

MATERIAL AND FINISH

Insulator: PBT & glass fiber reinforced, UL 94V-0 rated.
Shell: Steel, Tin plated.
Contacts: Copper alloy, Gold plating over Nickel on mating area, Tin on solder tail over Nickel.

ELECTRICAL SPECIFICATIONS:

Rated current: 3A
Rated voltage: 250V Max.
Contact resistance: 15 mohm
Insulation resistance: 3000 Mohm min @ 500VDC
Dielectric withstanding voltage: 1000VAC / 1 MIN.

ENVIRONMENTAL:

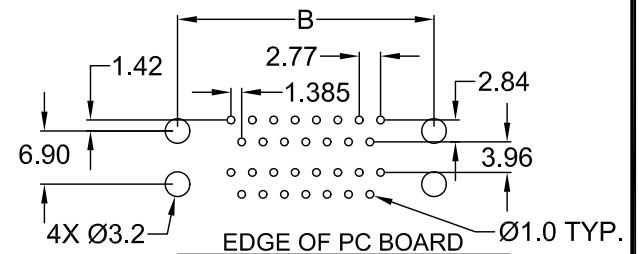
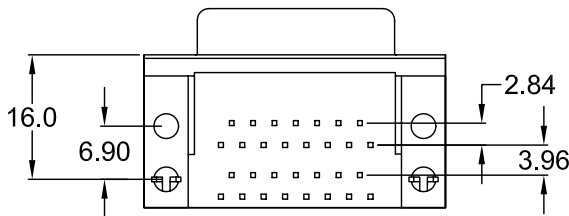
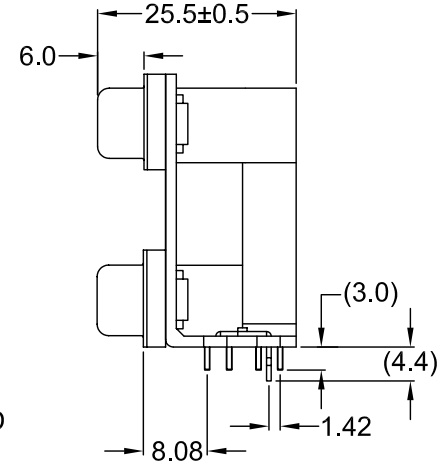
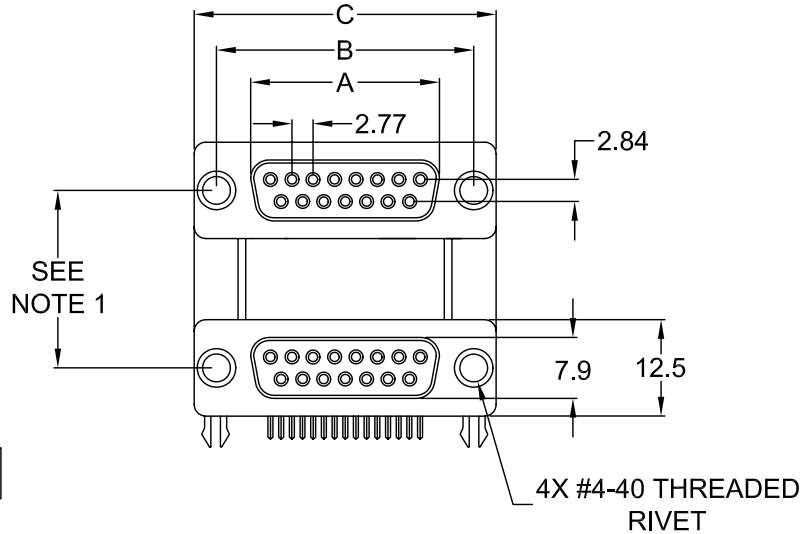
Operating temperature: -55°C to +105°C

NOTE:

1. D-sub spacing. See ordering code for options.

X-XXX: SEE ORDERING CODE FOR OPTIONS

POSITION	A	B	C
09	16.3	25.0	30.8
15	24.6	33.3	39.2
25	38.3	47.1	53.1
37	54.8	63.5	69.4



RECOMMENDED
PCB LAYOUT (TOP VIEW)
TOLERANCES: ±0.10mm

P/N	No. of Pos.
PDI-ADX-XXX	9 TOP/ 9 BOTTOM
PDI-BDX-XXX	9 TOP/25 BOTTOM
PDI-CDX-XXX	25 TOP/9 BOTTOM
PDI-DDX-XXX	25 TOP/25 BOTTOM
PDI-EDX-XXX	15 TOP/ 15 BOTTOM
PDI-FDX-XXX	9 TOP/15HD BOTTOM
PDI-GDX-XXX	9 TOP/15 BOTTOM
PDI-HDX-XXX	37 TOP/37 BOTTOM

TOLERANCE UNLESS OTHERWISE SPECIFIED	
X	± 1
X.X	± 0.4
X.XX	± 0.20
DRAWN BY: DF	DATE: 2/16/06
CHECK BY:	DATE:
APPR BY:	DATE:

Power Dynamics, Inc.

Phone: 973 560-0019 Whippany, New Jersey Fax: 973 560-0076

PART: STACKED D-SUB, PCB MOUNT
FEMALE TOP/FEMALE BOTTOM

PART #: PDI-XDX-XXX		SHEET 1 of 1
SIZE: A	ALL DIMENSIONS FOR REFERENCE ONLY DIMENSIONS ARE IN MILLIMETERS	REV:
SCALE: NTS		

D

C

B

A

6

5

4

3

2

1

REVISIONS	CHNG	CHK	APPR
	CHANGE		
	REV	DATE	