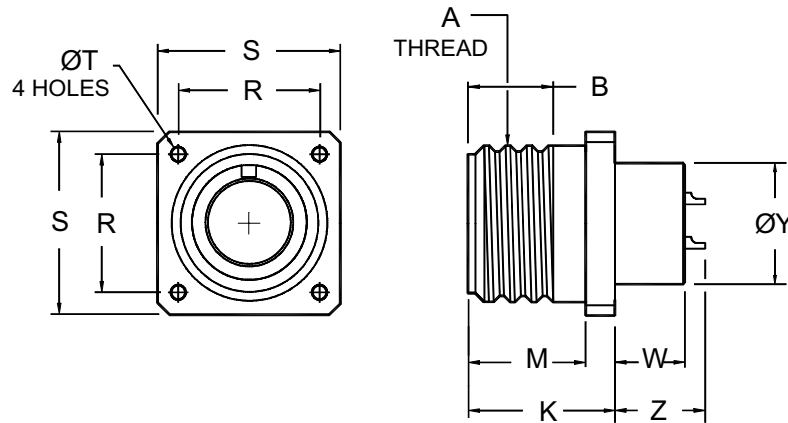


SWL SERIES SCP1072 BOX MOUNT RECEPTACLE



PART NUMBER	SHELL SIZE	A THREAD CLASS 2A	B MIN. FULL THREAD	K +.026 -.010 [+0.66] [-0.25]	M +.016 -.000 [+0.41] [-0.00]	R ±.005 [±0.13]	S ±.020 [±0.51]	T +.004 -.002 [+0.10] [-0.05]	W +.020 -.036 [+0.51] [-0.91]	ØY ±.010 [±0.25]	Z MAX.
SCP107210-*	10S	.6250-0.05P-0.1L-DS	.391 [9.93]	.703 [17.86]	.562 [14.27]	.719 [18.26]	1.000 [25.40]	.150 [3.81]	.281 [7.14]	.469 [11.91]	.451 [11.46]
SCP107212-*	12S	.7500-0.1P-0.2L-DS	.391 [9.93]	.703 [17.86]	.562 [14.27]	.812 [20.62]	1.094 [27.79]	.150 [3.81]	.281 [7.14]	.594 [15.09]	.451 [11.46]
SCP107213-*	12	.7500-0.1P-0.2L-DS	.625 [15.88]	.891 [22.63]	.750 [19.05]	.812 [20.62]	1.094 [27.79]	.150 [3.81]	.469 [11.91]	.594 [15.09]	.700 [17.78]
SCP107214-*	14S	.8750-0.1P-0.2L-DS	.391 [9.93]	.703 [17.86]	.562 [14.27]	.906 [23.01]	1.188 [30.18]	.150 [3.81]	.281 [7.14]	.719 [18.26]	.451 [11.46]
SCP107215-*	14	.8750-0.1P-0.2L-DS	.625 [15.88]	.891 [22.63]	.750 [19.05]	.906 [23.01]	1.188 [30.18]	.150 [3.81]	.469 [11.91]	.719 [18.26]	.700 [17.78]
SCP107216-*	16S	1.0000-0.1P-0.2L-DS	.391 [9.93]	.703 [17.86]	.562 [14.27]	.969 [24.61]	1.281 [32.54]	.150 [3.81]	.281 [7.14]	.844 [21.44]	.451 [11.46]
SCP107217-*	16	1.0000-0.1P-0.2L-DS	.625 [15.88]	.891 [22.63]	.750 [19.05]	.969 [24.61]	1.281 [32.54]	.150 [3.81]	.469 [11.91]	.844 [21.44]	.700 [17.78]
SCP107218-*	18	1.1250-0.1P-0.2L-DS	.625 [15.88]	.906 [23.01]	.750 [19.05]	1.062 [26.97]	1.375 [34.92]	.177 [4.50]	.453 [11.51]	.969 [24.61]	.686 [17.42]
SCP107220-*	20	1.2500-0.1P-0.2L-DS	.625 [15.88]	.906 [23.01]	.750 [19.05]	1.156 [29.36]	1.500 [38.10]	.177 [4.50]	.453 [11.51]	1.125 [28.58]	.686 [17.42]
SCP107222-*	22	1.3750-0.1P-0.2L-DS	.625 [15.88]	.906 [23.01]	.750 [19.05]	1.250 [31.75]	1.625 [41.27]	.177 [4.50]	.453 [11.51]	1.250 [31.75]	.686 [17.42]
SCP107224-*	24	1.5000-0.1P-0.2L-DS	.625 [15.88]	1.000 [25.40]	.812 [20.62]	1.375 [34.92]	1.750 [44.45]	.177 [4.50]	.359 [9.12]	1.375 [34.93]	.585 [14.86]
SCP107228-*	28	1.7500-0.1P-0.2L-DS	.625 [15.88]	1.000 [25.40]	.812 [20.62]	1.562 [39.67]	2.000 [50.80]	.177 [4.50]	.359 [9.12]	1.594 [40.49]	.591 [15.01]
SCP107232-*	32	2.0000-0.1P-0.2L-DS	.625 [15.88]	1.063 [27.00]	.875 [22.23]	1.750 [44.45]	2.250 [57.15]	.209 [5.31]	.296 [7.52]	1.844 [46.84]	.528 [13.41]
SCP107236-*	36	2.2500-0.1P-0.2L-DS	.625 [15.88]	1.063 [27.00]	.875 [22.23]	1.938 [49.23]	2.500 [63.50]	.209 [5.31]	.296 [7.52]	2.031 [51.59]	.528 [13.41]
SCP107240-*	40	2.5000-0.1P-0.2L-DS	.625 [15.88]	1.063 [27.00]	.875 [22.23]	2.188 [55.58]	2.750 [69.85]	.209 [5.31]	.296 [7.52]	2.281 [57.94]	.528 [13.41]
SCP107244-*	44	2.7500-0.1P-0.2L-DS	.625 [15.88]	1.063 [27.00]	.875 [22.23]	2.375 [60.32]	3.000 [76.20]	.209 [5.31]	.546 [13.87]	2.562 [65.07]	.769 [19.53]
SCP107248-*	48	3.0000-0.1P-0.2L-DS	.625 [15.88]	1.063 [27.00]	.875 [22.23]	2.625 [66.67]	3.250 [82.55]	.209 [5.31]	.546 [13.87]	2.812 [71.42]	.769 [19.53]

DIMENSIONS IN BRACKETS [] ARE IN MILLIMETERS.

SCP1072

SWL SERIES