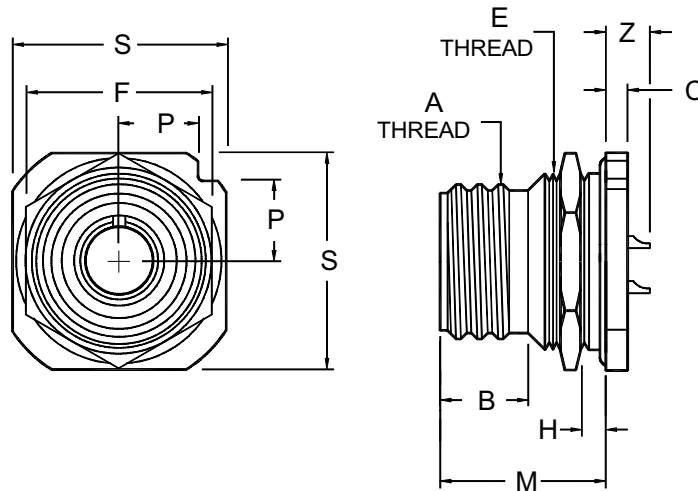


SWL SERIES

SCP1079

JAM NUT RECEPTACLE



PART NUMBER	SHELL SIZE	A THREAD CLASS 2A-DS	B ±.010 [±0.25]	C ±.005 [±0.13]	E THREAD CLASS 2A-RH	F HEX ±.016 [±0.41]	H PANEL THICKNESS		M ±.010 [±0.25]	P ±.010 [±0.25]	S ±.010 [±0.25]	Z MAX.
							MIN.	MAX.				
SCP107910-*	10S	.625-0.05P-0.1L	.385 [9.78]	.125 [3.18]	.6875-24UNEF	.875 [22.23]	.094 [2.39]	.227 [5.77]	.844 [21.44]	.375 [9.52]	1.062 [26.97]	.295 [7.49]
SCP107912-*	12S	.750-0.1P-0.2L	.385 [9.78]	.125 [3.18]	.875-20UNEF	1.062 [26.97]	.094 [2.39]	.200 [5.08]	.906 [23.01]	.442 [11.23]	1.250 [31.75]	.232 [5.89]
SCP107913-*	12	.750-0.1P-0.2L	.585 [14.86]	.125 [3.18]	.875-20UNEF	1.062 [26.97]	.094 [2.39]	.282 [7.16]	1.188 [30.18]	.442 [11.23]	1.250 [31.75]	.389 [9.88]
SCP107914-*	14S	.875-0.1P-0.2L	.385 [9.78]	.125 [3.18]	1.000-20UNEF	1.250 [31.75]	.094 [2.39]	.200 [5.08]	.906 [23.01]	.486 [12.34]	1.376 [34.95]	.232 [5.89]
SCP107915-*	14	.875-0.1P-0.2L	.585 [14.86]	.125 [3.18]	1.000-20UNEF	1.250 [31.75]	.094 [2.39]	.282 [7.16]	1.188 [30.18]	.486 [12.34]	1.376 [34.95]	.389 [9.88]
SCP107916-*	16S	1.000-0.1P-0.2L	.385 [9.78]	.125 [3.18]	1.125-18UNEF	1.312 [33.32]	.094 [2.39]	.200 [5.08]	.906 [23.01]	.530 [13.46]	1.500 [38.10]	.232 [5.89]
SCP107917-*	16	1.000-0.1P-0.2L	.585 [14.86]	.125 [3.18]	1.125-18UNEF	1.312 [33.32]	.094 [2.39]	.282 [7.16]	1.188 [30.18]	.530 [13.46]	1.500 [38.10]	.389 [9.88]
SCP107918-*	18	1.125-0.1P-0.2L	.585 [14.86]	.188 [4.78]	1.250-18UNEF	1.500 [38.10]	.094 [2.39]	.250 [6.35]	1.156 [29.36]	.623 [15.82]	1.750 [44.45]	.420 [10.67]
SCP107920-*	20	1.250-0.1P-0.2L	.585 [14.86]	.188 [4.78]	1.375-18UNEF	1.562 [39.67]	.094 [2.39]	.250 [6.35]	1.156 [29.36]	.663 [16.84]	1.875 [47.63]	.420 [10.67]
SCP107922-*	22	1.375-0.1P-0.2L	.585 [14.86]	.188 [4.78]	1.500-18UNEF	1.750 [44.45]	.094 [2.39]	.250 [6.35]	1.156 [29.36]	.707 [17.96]	2.000 [50.80]	.420 [10.67]
SCP107924-*	24	1.500-0.1P-0.2L	.585 [14.86]	.188 [4.78]	1.625-18UNEF	1.875 [47.62]	.094 [2.39]	.312 [7.92]	1.219 [30.96]	.751 [19.08]	2.125 [53.98]	.357 [9.07]
SCP107928-*	28	1.750-0.1P-0.2L	.585 [14.86]	.188 [4.78]	1.875-16UN	2.125 [53.97]	.094 [2.39]	.312 [7.92]	1.219 [30.96]	.840 [21.34]	2.375 [60.33]	.357 [9.07]
SCP107932-*	32	2.000-0.1P-0.2L	.585 [14.86]	.219 [5.56]	2.125-16UN	2.375 [60.32]	.094 [2.39]	.282 [7.16]	1.250 [31.75]	.928 [23.57]	2.625 [66.68]	.326 [8.28]
SCP107936-*	36	2.250-0.1P-0.2L	.585 [14.86]	.219 [5.56]	2.375-16UN	2.625 [66.67]	.094 [2.39]	.282 [7.16]	1.250 [31.75]	1.017 [25.83]	2.875 [73.03]	.326 [8.28]
SCP107940-*	40	2.500-0.1P-0.2L	.585 [14.86]	.219 [5.56]	2.625-16UN	2.875 [73.02]	.094 [2.39]	.282 [7.16]	1.250 [31.75]	1.104 [28.04]	3.125 [79.38]	.326 [8.28]
SCP107944-*	44	2.750-0.1P-0.2L	.585 [14.86]	.219 [5.56]	2.875-16UN	3.125 [79.37]	.094 [2.39]	.422 [10.72]	1.390 [35.31]	1.213 [30.81]	3.406 [86.51]	.436 [11.07]
SCP107948-*	48	3.000-0.1P-0.2L	.585 [14.86]	.219 [5.56]	3.125-16UN	3.375 [85.72]	.094 [2.39]	.422 [10.72]	1.390 [35.31]	1.299 [32.99]	3.656 [92.86]	.436 [11.07]

DIMENSIONS IN BRACKETS [] ARE IN MILLIMETERS.

SCP1079