

PLEASE CHECK WWW.MOLEX.COM FOR LATEST PART INFORMATION

Part Number: [0358250221](#)
Status: **Active**
Description: 5.00mm (.197") Pitch Automotive Horn Female Housing, Vertical, 2 Circuits for 2.28mm (.090") Tab

Documents:

[Drawing \(PDF\)](#) [RoHS Certificate of Compliance \(PDF\)](#)

General

Product Family	Crimp Housings
Series	35825
Product Name	N/A

Physical

Circuits (maximum)	2
Color - Resin	Black, Yellow
Gender	Female
Glow-Wire Compliant	No
Keying to Mating Part	None
Lock to Mating Part	Yes
Material - Resin	Polyester
Number of Rows	1
Packaging Type	Tray
Panel Mount	No
Pitch - Mating Interface (in)	0.197 In
Pitch - Mating Interface (mm)	5.00 mm
Stackable	No
Temperature Range - Operating	-40°C to +120°C

Material Info

Reference - Drawing Numbers

Sales Drawing	SD-35825-0211
---------------	---------------

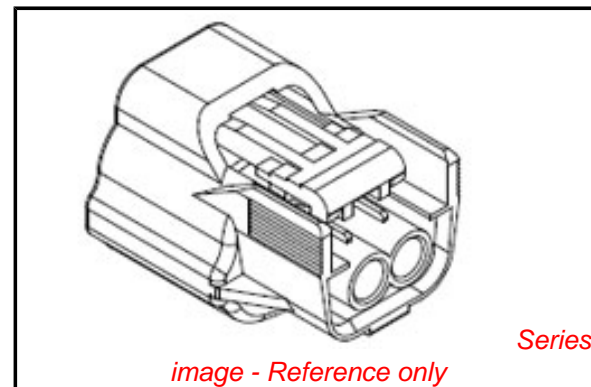


image - Reference only

EU RoHS

ELV and RoHS Compliant
REACH SVHC
Contains SVHC: No
Halogen-Free Status

China RoHS



Need more information on product environmental compliance?

Email productcompliance@molex.com
 For a multiple part number RoHS Certificate of Compliance, [click here](#)

Please visit the [Contact Us](#) section for any non-product compliance questions.

Search Parts in this Series

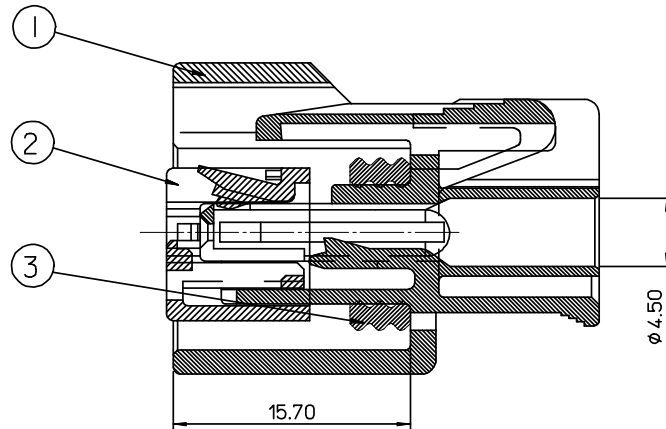
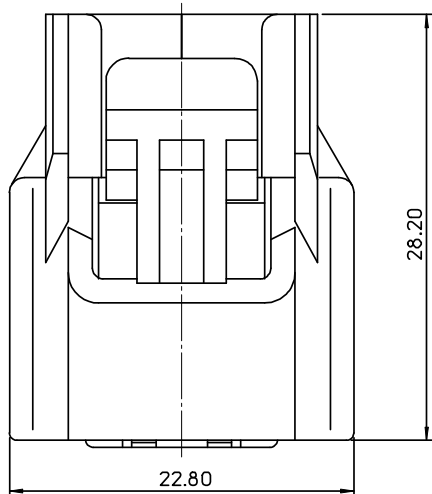
[35825Series](#)

Mates With

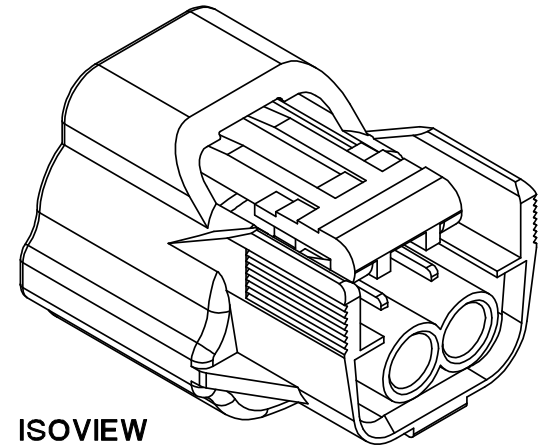
Automotive Filtered Horn Header [68131](#)

Use With

Terminal [35407](#) , [35903](#)

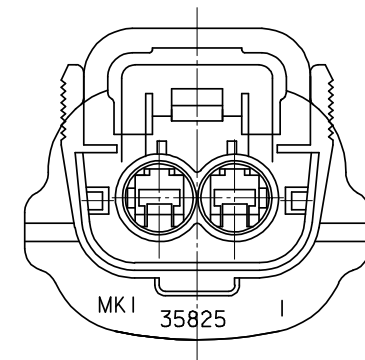
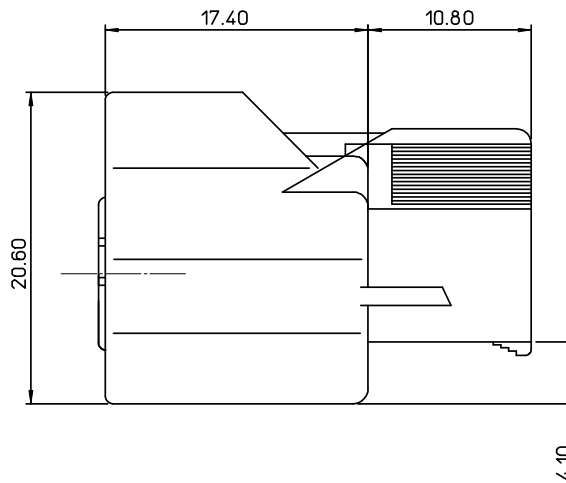
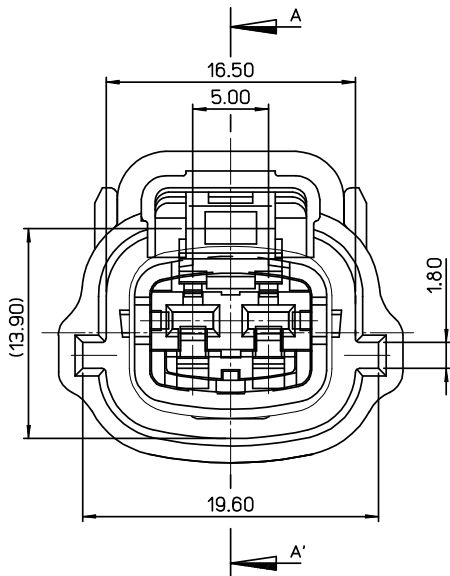


SECTION A-A'



ISOVIEW

NO.	P/NAME	P/NO.	Q'TY	MATERIAL
	090 F/HSG ASS'Y	35825-0211	1	-
1	FEMALE HS'G 2P	35825-0291	1	P.B.T
2	FRONT T.P.A 2P	35826-0283	1	P.B.T
3	FRONT SEAL 2P	35903-0021	1	SILICONE



<NOTE>

1. APPLICABLE FEMALE TERMINAL : 35407-6702(S)
35407-6902(L)
2. APPLICABLE WIRE SEAL : 35903-0022(M)
35903-0023(L)

MATERIAL NO.	ENG. NO.	PACKING
358250211	35825-0211	POLYBAG
358250221	35825-0221	TRAY

ADDED OF PARTS
 E.C. NO: KOR2008-0164
 2008/04/08
 B DRWNEKIM 2008/04/08
 CHKD:BCY00N 2008/04/08
 APPR:YUNS IKKIM 2008/04/08

QUALITY SYMBOLS
 ▽=0
 ▽=0

GENERAL TOLERANCES (UNLESS SPECIFIED):

	mm	INCH
4 PLACES	± .005	± .0004
3 PLACES	± .008	± .0003
2 PLACES	± 0.20	± .0079
1 PLACE	± 0.30	± .0118

ANGULAR ± 1 °

DRAFT WHERE APPLICABLE
 MUST REMAIN WITHIN DIMENSIONS

DIMENSION STYLE
 MM ONLY

DRAWN BY	DATE
HCRHO	1997/11/18
CHECKED BY	DATE
BKCHOI	1997/11/18
APPROVED BY	DATE
CWLEE	1997/11/18

MATERIAL NO.
 SEE TABLE

SCALE
 4:1

DESIGN UNITS
 METRIC

THIRD ANGLE PROJECTION

TITLE
 .090 SEALED FEMALE HSG ASS'Y 2P

MOLEX INCORPORATED

DOCUMENT NO.
 SD-35825-0211

SHEET NO.
 1 OF 1

THIS DRAWING CONTAINS INFORMATION THAT IS PROPRIETARY TO MOLEX INCORPORATED AND SHOULD NOT BE USED WITHOUT WRITTEN PERMISSION