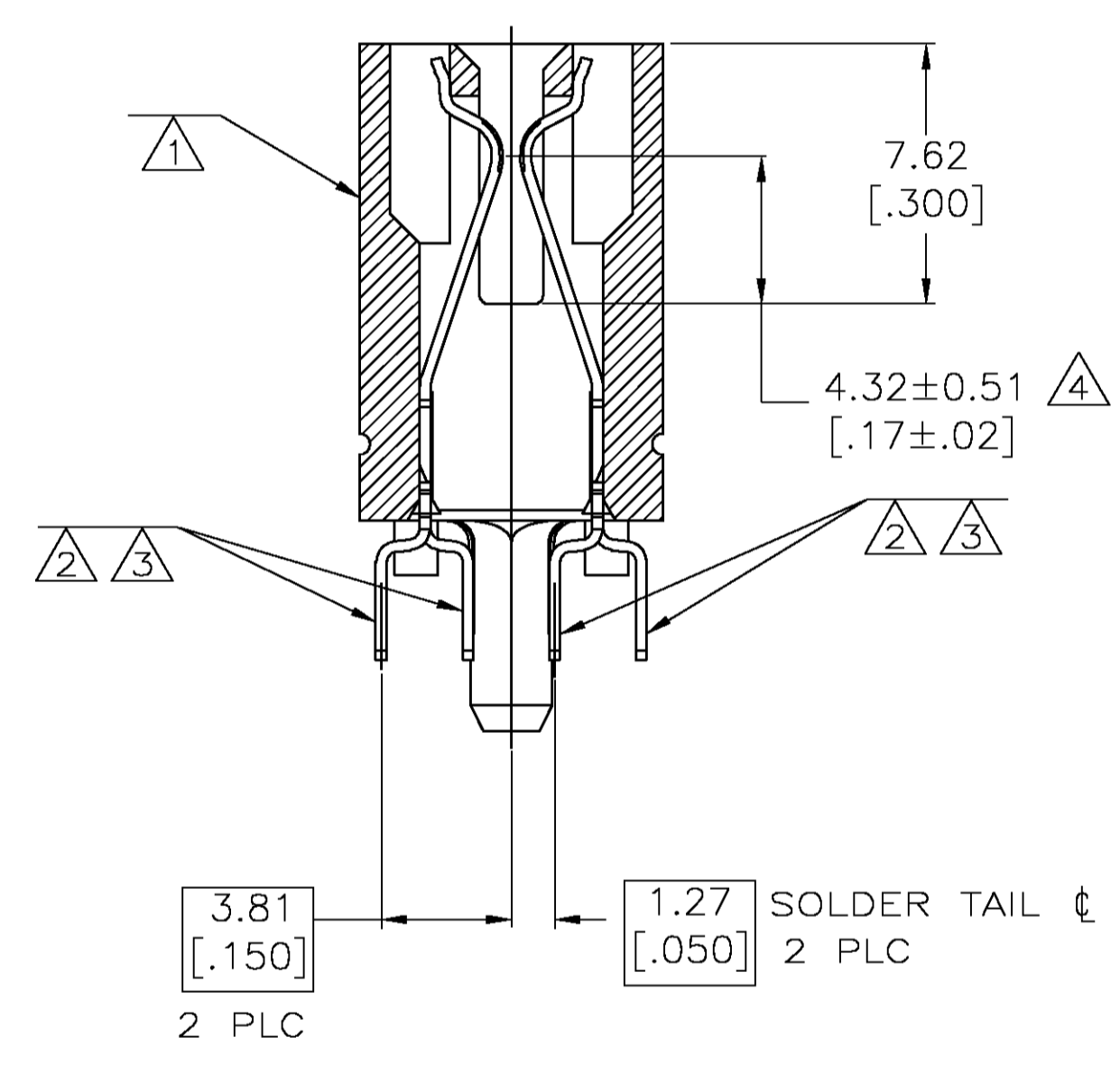
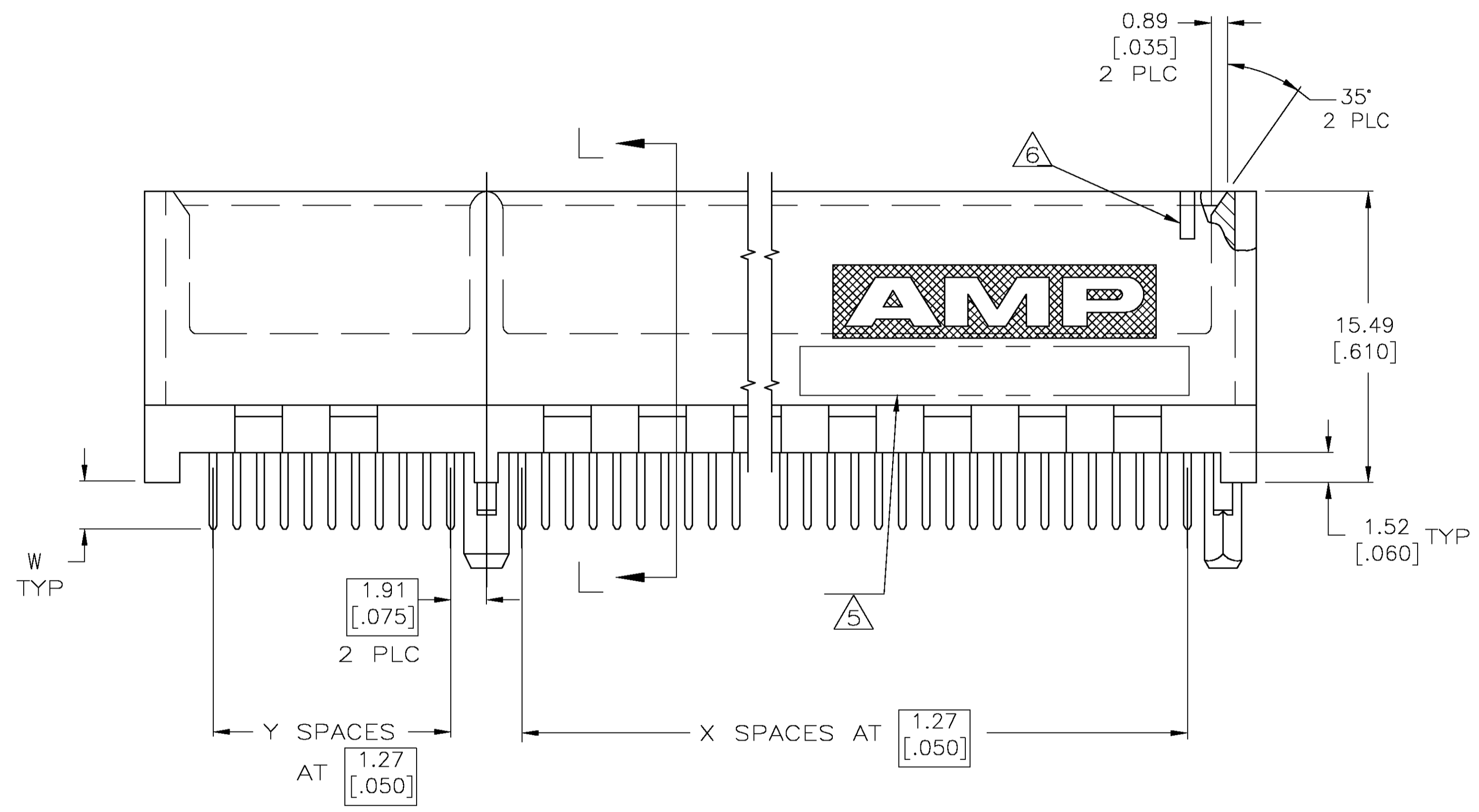
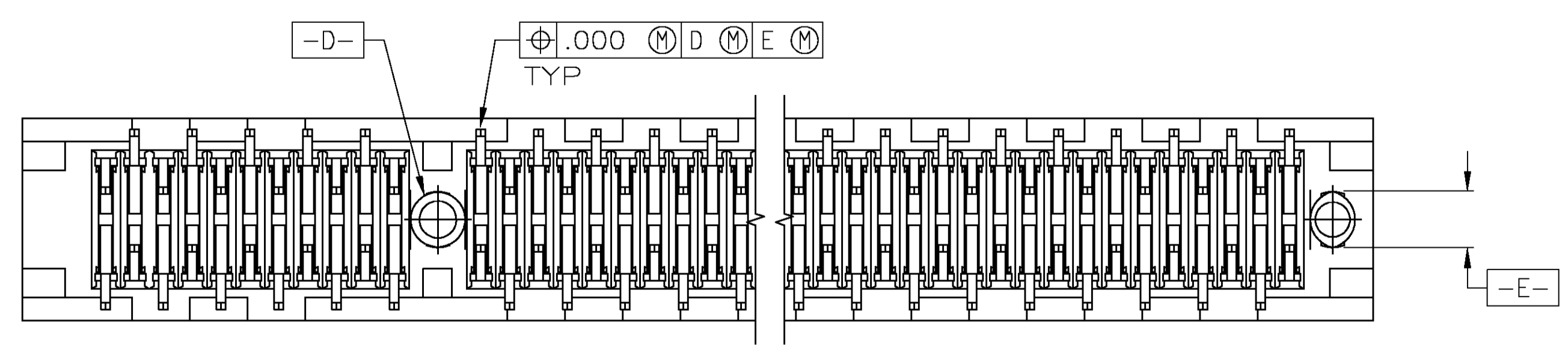


- ① HOUSING: HIGH TEMPERATURE THERMOPLASTIC. COLOR: BROWN.
- ② CONTACT: PHOSPHOR BRONZE.
- ③ CONTACT FINISH: .000100 MIN NICKEL ALL OVER. .000030 MIN GOLD OVER NICKEL IN CONTACT AREA. .000100 MIN MATTE TIN OVER NICKEL ON SOLDER TAILS.
- ④ DISTANCE FROM CONTACT POINT TO BOTTOM OF CARD SLOT.
- ⑤ AMP PART NUMBER, DATE CODE AND CSA LOGO MARKED IN APPROXIMATE AREA SHOWN.
- ⑥ PIN ONE IDENTIFIER NOTCH ONLY ON PART NUMBERS INDICATED.



SECTION L-L
SCALE 8:1



SEE SHEET 2 FOR HOLE PATTERNS

3.18 [.125]	NO	B	45.72 [1.800]	44.70 [1.760]	65.79 [2.59]	15.49 [.610]	10	33	45	1-5650090-4
3.56 [.140]	NO	A	26.67 [1.050]	25.65 [1.010]	46.74 [1.84]	15.49 [.610]	10	18	30	1-5650090-2
3.56 [.140]	NO	C	55.88 [2.200]	54.86 [2.160]	110.24 [4.34]	49.78 [1.960]	37	41	80	1-5650090-1
2.54 [.100]	NO	C	55.88 [2.200]	54.86 [2.160]	110.24 [4.34]	49.78 [1.960]	37	41	80	5650090-9
2.54 [.100]	NO	B	17.78 [.700]	16.76 [.660]	37.85 [1.49]	15.49 [.610]	10	11	23	5650090-7
2.54 [.100]	NO	A	26.67 [1.050]	25.65 [1.010]	46.74 [1.84]	15.49 [.610]	10	18	30	5650090-6
2.54 [.100]	NO	A	39.37 [1.550]	38.35 [1.510]	59.44 [2.34]	15.49 [.610]	10	28	40	5650090-3
2.54 [.100]	NO	B	45.72 [1.800]	44.70 [1.760]	65.79 [2.59]	15.49 [.610]	10	33	45	5650090-2
2.54 [.100]	YES	A	59.69 [2.350]	58.67 [2.310]	79.76 [3.14]	15.49 [.610]	10	44	56	5650090-1
W	PIN ONE IDENTIFIER	HOLE PATTERN	V	U	T	S	Y	X	NO OF DUAL POSN	PART NUMBER

THIS DRAWING IS A CONTROLLED DOCUMENT. DIM AL FRANTUM 24 JAN 05
 CIK AL FRANTUM 24 JAN 05

TOLERANCES UNLESS OTHERWISE SPECIFIED:
 0 PLC ± -
 1 PLC ± -
 2 PLC ± 0.25 [.010]
 3 PLC ± 0.12 [.005]
 4 PLC ± -
 ANGLES ± -
 FINISH

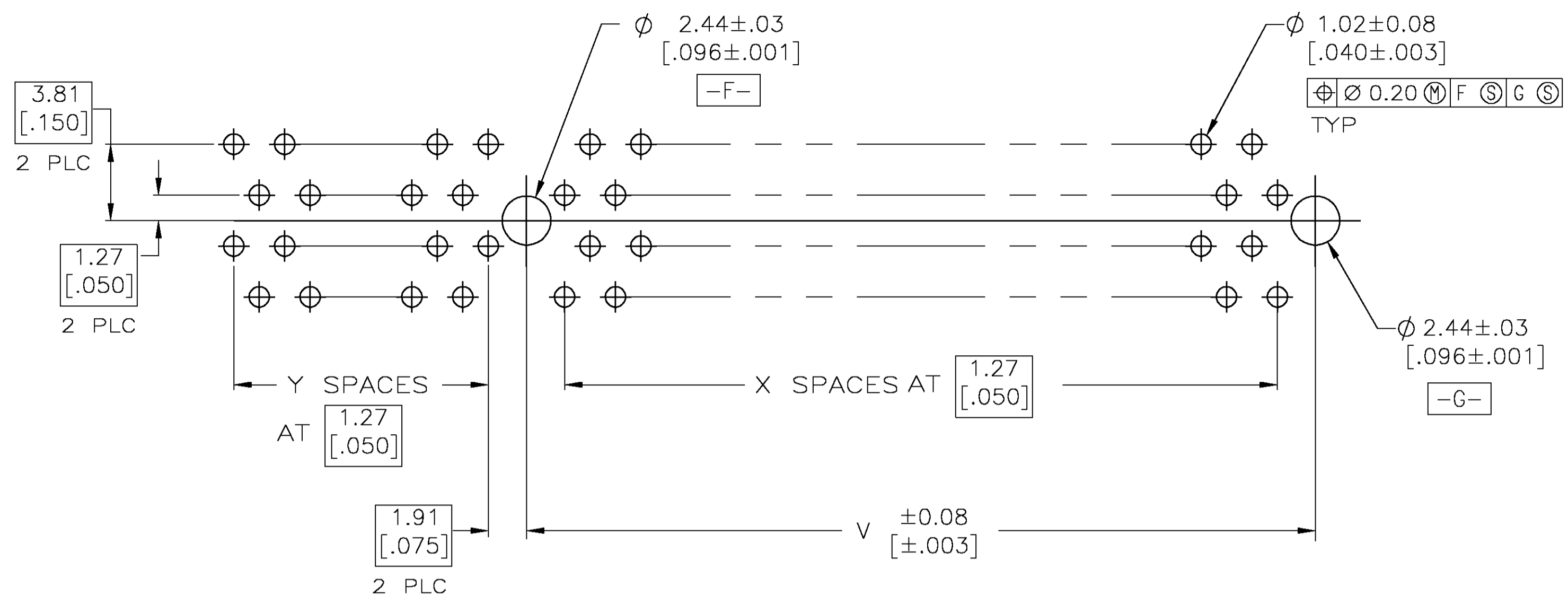
PRODUCT SPEC: 108-14034
 APPLICATION SPEC: 114-26012

SIZE: A1
 CAGE CODE: 00779
 DRAWING NO: 5650090

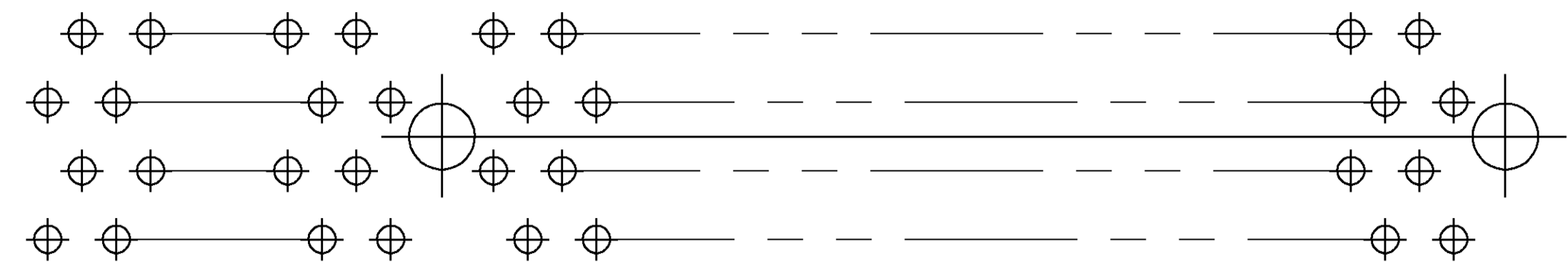
TYCO Electronics
 Tyco Electronics Corporation
 Harrisburg, Pa 17105-3608

CONNECTOR ASSEMBLY, DUAL POSITION, .050 SERIES

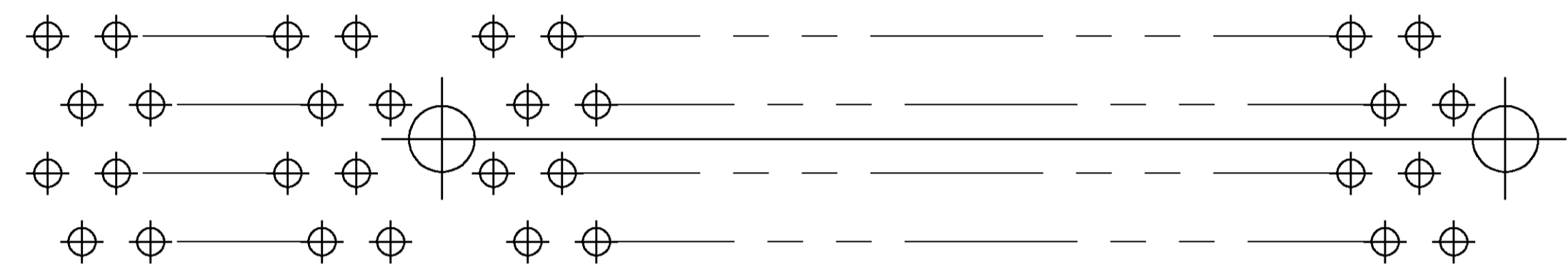
RESTRICTED TO: CUSTOMER DRAWING
 SCALE: 5:1
 SHEET: 1 OF 2
 REV: 0



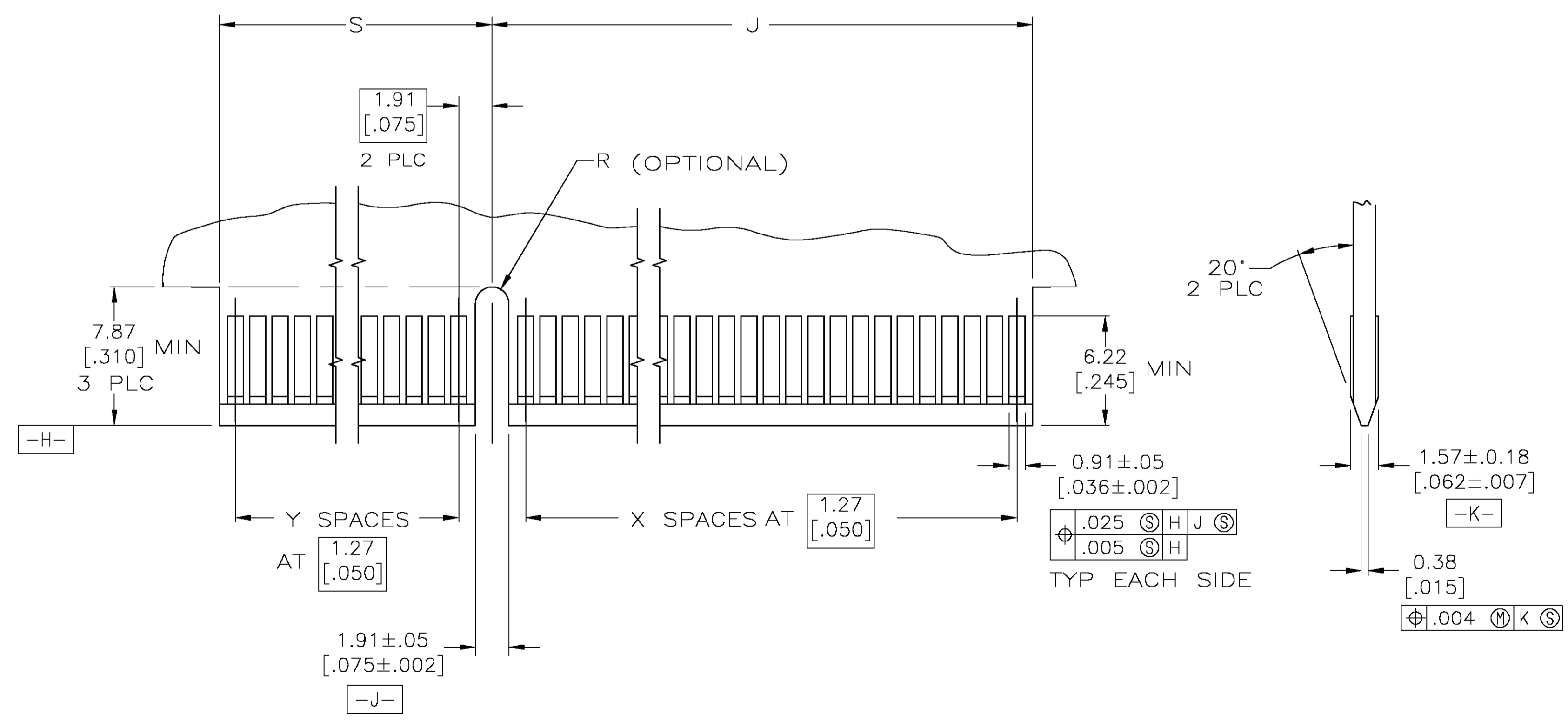
RECOMMENDED CONNECTOR MOUNTING HOLE PATTERN A
 (CONNECTOR SIDE SHOWN)



RECOMMENDED CONNECTOR MOUNTING HOLE PATTERN B
 (CONNECTOR SIDE SHOWN)



RECOMMENDED CONNECTOR MOUNTING HOLE PATTERN C



RECOMMENDED MATING BOARD EDGE CONFIGURATION
 (CONNECTOR SIDE SHOWN)

THIS DRAWING IS A CONTROLLED DOCUMENT.		DIN AL FRANTUM 24 JAN 05		Tyco Electronics Corporation Harrisburg, Pa 17105-3608			
DIMENSIONS: mm		AL FRANTUM 24 JAN 05		NAME: CONNECTOR ASSEMBLY, DUAL POSITION, .050 SEERIES			
TOLERANCES UNLESS OTHERWISE SPECIFIED:		APVD	PRODUCT SPEC: 108-14034	SIZE: A1	CAGE CODE: 00779	DRAWING NO: C=5650090	RESTRICTED TO: -
MATERIAL: SEE SHEET 1		FINISH: SEE SHEET 1	APPLICATION SPEC: 114-26012	WEIGHT: -	SCALE: 5:1	SHEET: 2 OF 2	REV: 0
			CUSTOMER DRAWING				