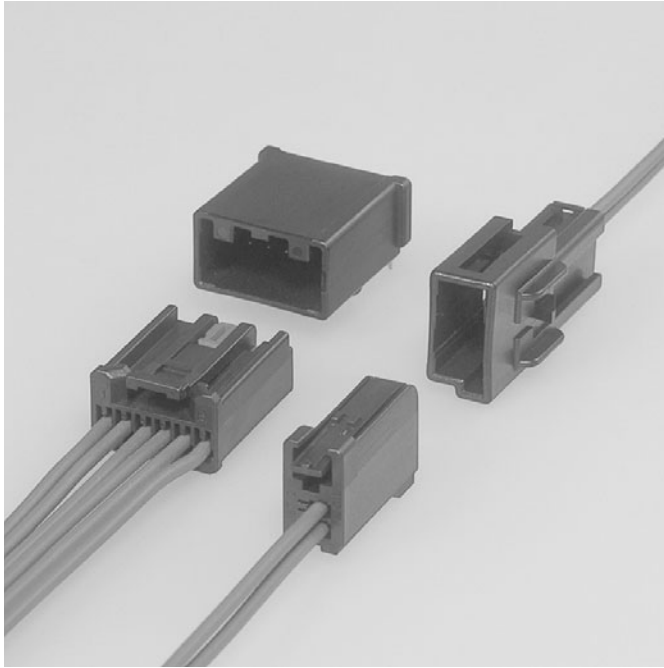


# AIT-II CONNECTOR

Board-to-wire/Wire-to-wire



0.64 unsealed low-profile connector series for use in a wide range of automotive applications.

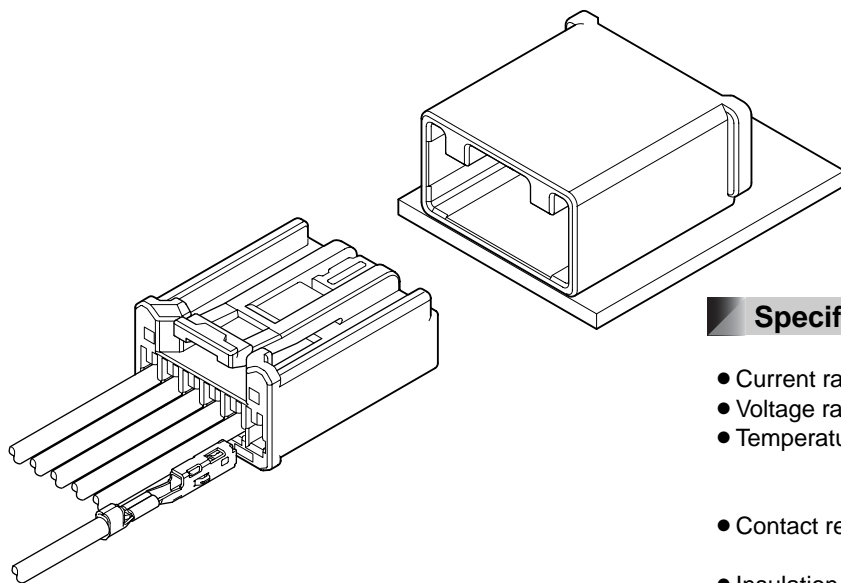
## Features

### ● Ultra Low Profile Connector

Over 30% Height Reduction as compared to the Standard USCAR Footprints.

### ● Variations

There are multiple varieties of AIT-II Connectors which can satisfy your needs.



## Specifications

- Current rating: 5A AC, DC max.
- Voltage rating: 14V AC, DC
- Temperature range: -40°C to +105°C  
(including temperature rise in applying electrical current)
- Contact resistance: Initial value/15mΩ max.  
After environmental testing/15mΩ max.
- Insulation resistance: 100MΩ min.
- Withstanding voltage: 1,000V AC/minute
- Applicable Wire: SAE/ AVSS / CAVS  
0.3mm<sup>2</sup> to 0.8mm<sup>2</sup>

\* Compliant with ELV/RoHS.  
\* Contact JST for details.

HIT

AIT

AIT-II

HCM

SHC

HCH

MIO

CPT

BMD

RAD

CIT

GIT80P

GIT18P

HIC

SNA

NAC-I

SQS

SQM

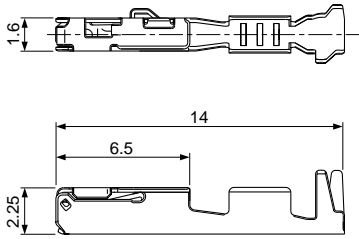
SQH

SQSI

# AIT-II CONNECTOR

Board-to-wire/Wire-to-wire

## Female terminal



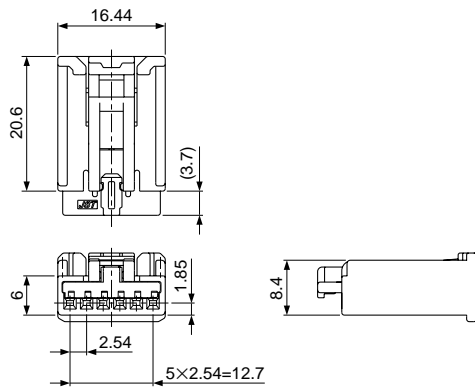
Model No.	Applicable wire range		Q'ty/reel
	Conductor (mm <sup>2</sup> )	Insulation O.D. (mm)	
①SAIT-A03T-M064	0.3 to 0.5	≤1.9	6,500
①SAIT-A02T-M064	0.75 to 0.8	≤1.9	6,500
②SAIT-A03GF-M064	0.3 to 0.5	≤1.9	6,500
②SAIT-A02GF-M064	0.75 to 0.8	≤1.9	6,500

### Material and Finish

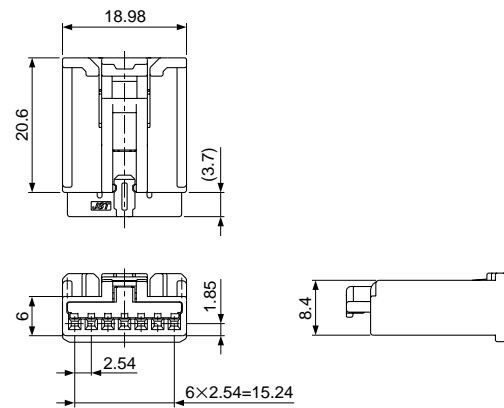
- ①Copper alloy, tin-plated (reflow treatment)
- ②Copper alloy, Contact area; gold-plated  
Barrel area; tin-plated

## Female connector (Top Lock)

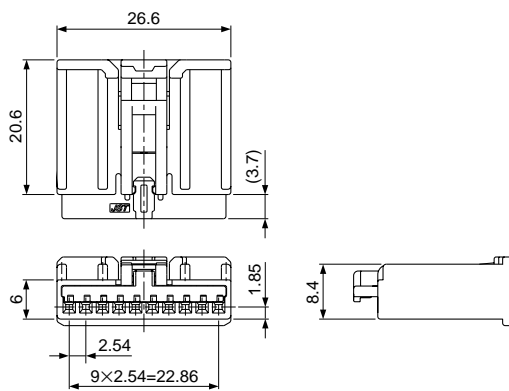
### • 6 circuits



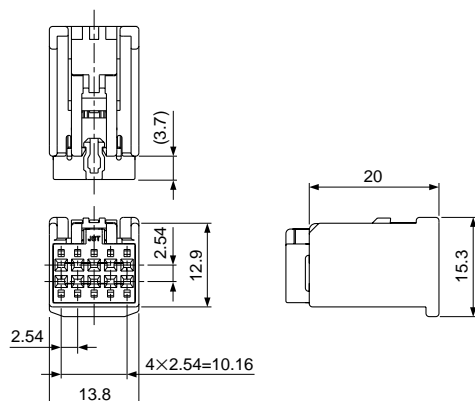
### • 7 circuits



### • 10 circuits (Single row)



### • 10 circuits (Dual row)



Circuits	Model No.	Q'ty/box	Housing Color
6	AIT2PB-06-1AK	350	Black
	AIT2PB-06-1BH	350	Gray
	AIT2PB-06-1FS	350	Natural (White)
7	AIT2PB-07-1BH	300	Gray
	AIT2PB-07-1FS	300	Natural (White)
10	AIT2PB-10-1AK	200	Black
	AIT2PB-10-1BH	200	Gray
	AIT2PB-10-1DM	200	Green
	AIT2PB-10-1FS	200	Natural (White)
	AIT2PB-10A-2AK	200	Black
	AIT2PB-10A-2BH	200	Gray

### Material

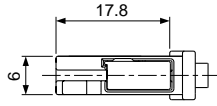
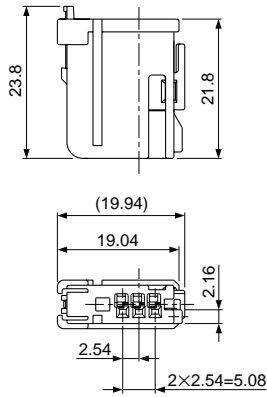
Housing: Glass-filled PBT  
TPA: Glass-filled PBT, red

HIT  
AIT  
AIT-II  
HCM  
SHC  
HCH  
MIO  
CPT  
BMD  
RAD  
CIT  
GIT80P  
GIT18P  
HIC  
SNA  
NAC-I  
SQS  
SQM  
SQH  
SQSI

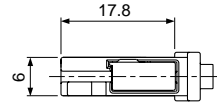
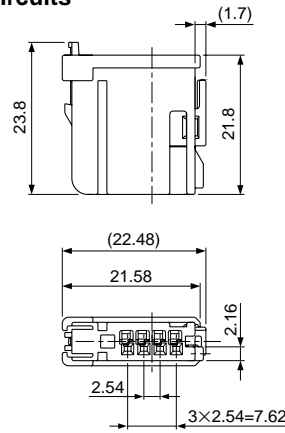
## Female connector (Side Lock)

### Side-Load TPA

● 3 circuits

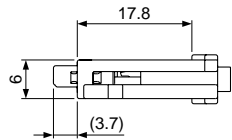
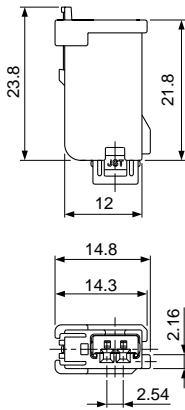


● 4 circuits

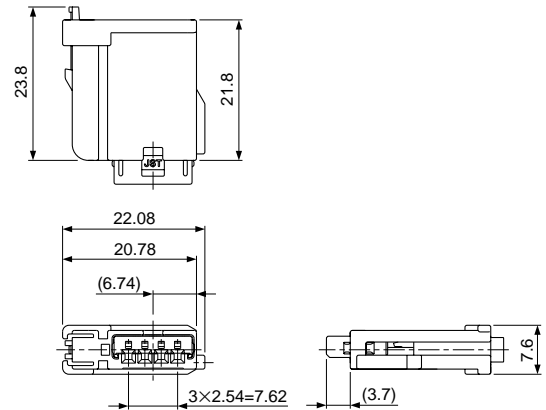


### Front-Load TPA

● 2 circuits



● 4 circuits



Circuits	TPA Location	Model No.	Q'ty/box	Housing Color
2	Front-Load	<b>AIT2PB-02A-1AK</b>	400	Black
		<b>AIT2PB-02A-1FS</b>	400	Natural (White)
3	Side-Load	<b>AIT2PB-03B-1AK</b>	400	Black
		<b>AIT2PB-03B-1FS</b>	400	Natural (White)
4	Front-Load	<b>AIT2PB-04A-1AK</b>	400	Black
	Side-Load	<b>AIT2PB-04B-1AK</b>	400	Black

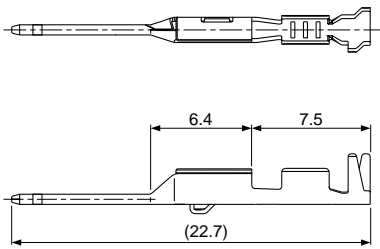
#### Material

Housing: Glass-filled PBT  
TPA: Glass-filled PBT, red

# AIT-II CONNECTOR

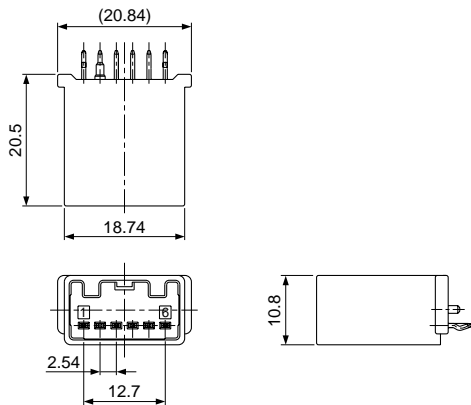
Board-to-wire/Wire-to-wire

## Male terminal



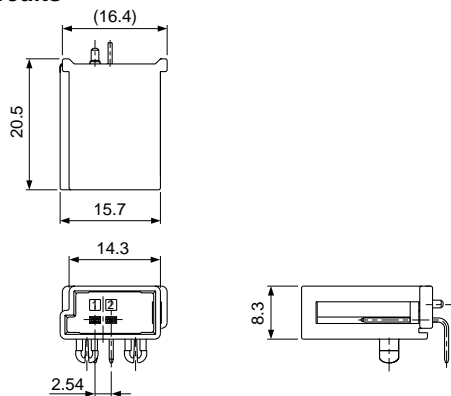
## Male connector

### Top entry type

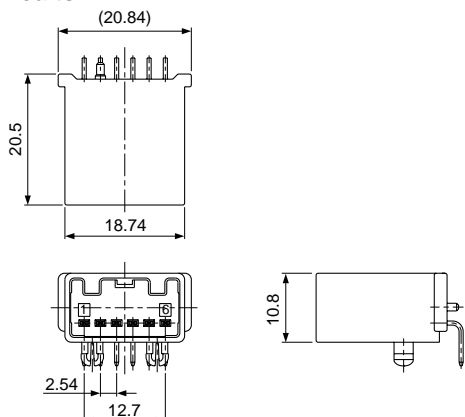


### Side entry type

#### • 2 circuits



#### • 6 circuits



Model No.	Applicable wire range		Q'ty/reel
	Conductor (mm <sup>2</sup> )	Insulation O.D. (mm)	
①SAITW-A03T-064	0.3 to 0.5	≤1.9	7,000
①SAITW-A02T-064	0.75 to 0.8	≤1.9	7,000
②SAITW-A03GF-064	0.3 to 0.5	≤1.9	7,000
②SAITW-A02GF-064	0.75 to 0.8	≤1.9	7,000

#### Material and Finish

- ① Brass, tin-plated (reflow treatment)
- ② Brass, Contact area: gold-plated  
Barrel area: tin-plated

Circuits	Model No.	Q'ty/box	Housing Color
6	<b>B06BA-AIT2-1AK-K</b>	120	Black

#### Material and Finish

- Housing: Glass-filled PBT
- Pin: Brass, tin-plated

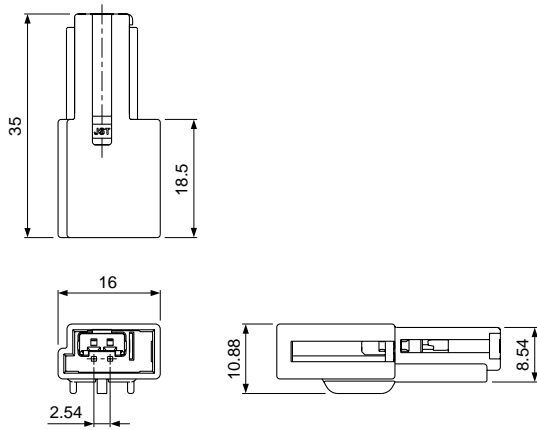
Circuits	Model No.	Q'ty/box	Housing Color
2	①S02BA-AIT2-1AK	96	Black
6	①S06B-AIT2-1AK	80	Black
	①S06B1-AIT2-1FS	80	Natural (White)
	②S06B1-AIT2G-1AK	80	Black

#### Material and Finish

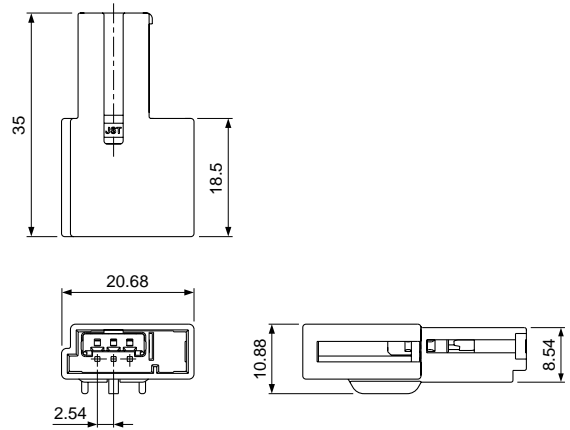
- Housing: Glass-filled PBT
- Pin: ① Brass, tin-plated,  
② Brass, tin-plated, Contact area: gold-plated

Male connector

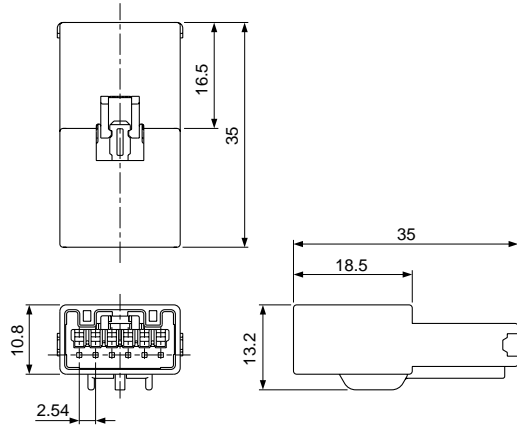
• 2 circuits



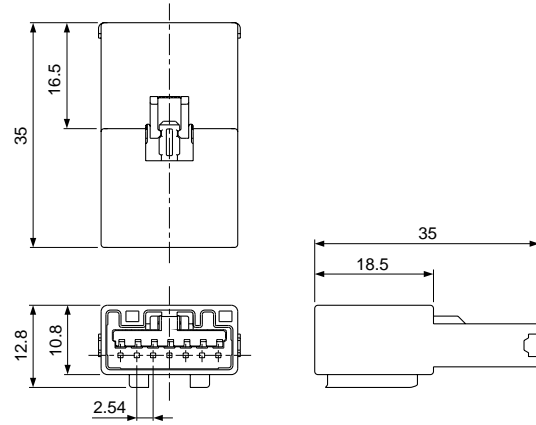
• 3 circuits



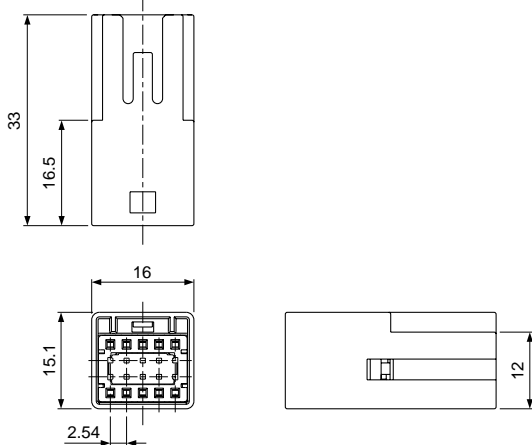
• 6 circuits



• 7 circuits



• 10 circuits



Circuits	Model No.	Q'ty/box	Housing Color	TPA Color
2	AIT2WSB-02A-1AK	300	Black	Red
3	AIT2WSB-03A-1AK	200	Black	Red
6	AIT2WSB-06-1AK	150	Black	Red
	AIT2WSB-06-1FS	150	Natural (White)	Red
7	AIT2WSB-07-1FS	150	Natural (White)	Red
10	AIT2WSB-10A-2AK	150	Black	Natural (White)
	AIT2WSB-10A-2BH	150	Gray	Natural (White)

**Material**  
 Housing: Glass-filled PBT  
 TPA: Glass-filled PBT

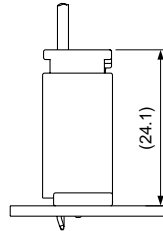
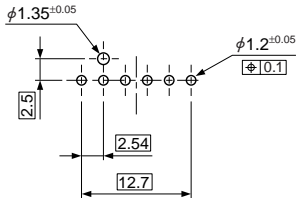
HIT  
 AIT  
**AIT-II**  
 HCM  
 SHC  
 HCH  
 MIO  
 CPT  
 BMD  
 RAD  
 CIT  
 GIT80P  
 GIT18P  
 HIC  
 SNA  
 NAC-I  
 SOS  
 SQM  
 SQH  
 SQSI

# AIT-II CONNECTOR

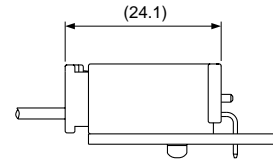
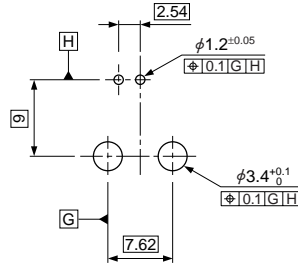
Board-to-wire/Wire-to-wire

## PC board layout, Assembly layout

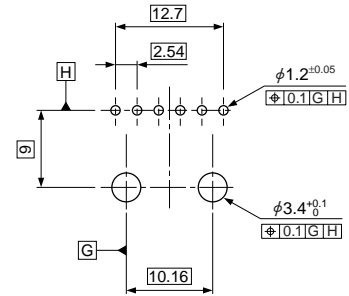
### Top entry type • 6 circuits



### Side entry type • 2 circuits

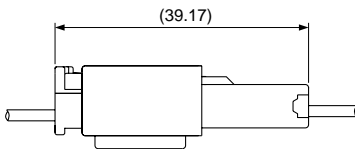


### • 6 circuits

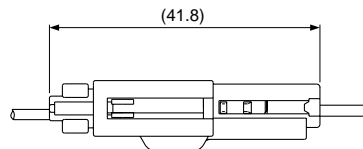


### Wire-to-wire type

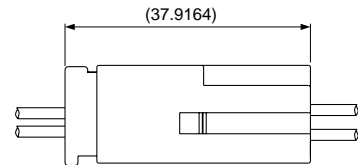
#### • Singl row AIT2WSB-( )-1( )



#### AIT2WSB-( )A-1( )



#### • Dual row AIT2WSB-( )A-2( )



Note: 1. Tolerances are non-cumulative.  
2. Hole dimensions differ according to the type of PC board and piercing method.  
The dimensions above should serve as guideline. Contact JST for details.

## Crimping machine, Applicator

Strip terminal	Crimping machine	Crimp applicator MKS-L	
		Dies	Crimp applicator with dies
SAIT-A03( )-M064	AP-K2N	MK/SAIT-A03-064	APLMK SAIT-A03-064
SAIT-A02( )-M064		MK/SAIT-A02-064	APLMK SAIT-A02-064
SAITW-A03( )-M064		MK/SAITW-A03-064	APLMK SAITW-A03-064
SAITW-A02( )-M064		MK/SAITW-A02-064	APLMK SAITW-A02-064

Note: When crimping operation is conducted using an applicator and die set other than the above, JST cannot guarantee the performance of the terminal.

HIT  
AIT  
AIT-II  
HCM  
SHC  
HCH  
MIO  
CPT  
BMD  
RAD  
CIT  
GIT80P  
GIT18P  
HIC  
SNA  
NAC-I  
SOS  
SQM  
SQH  
SQSI