

## Specifications

Insulation Resistance: 100MΩ minimum  
 Contact Resistance: 20mΩ maximum  
 Withstanding Voltage: 500V AC rms for 1 minute  
 Voltage Rating: 25V DC  
 Current Rating: 0.3A  
 Operating Temp. Range: -25°C to +85°C

## Materials and Finish

Housing: PPS (UL94V-0)  
 Actuator: PPS (UL94V-0)  
 Contacts: Phosphor Bronze / Tin Plated

## Features

- 90° SMT Zero Insertion Force connector for 0.50mm
- Flexible Flat Cable (FFC) and Flexible Printed Circuit (FPC) appliances
- Top or bottom contact type



## Part Number (Details)

FPC-98210- \*\* \*1 - \*

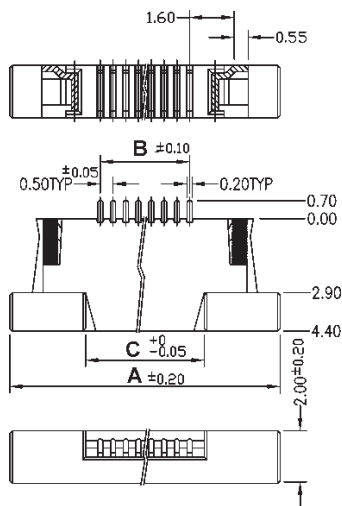
Series No.

No. of Contacts:  
4 to 60 pins

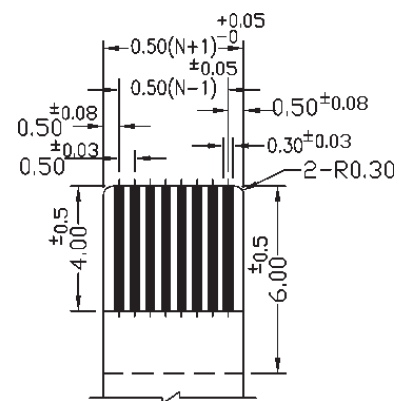
1 = Top Contact  
2 = Bottom Contact

No Mark: Tube Packaging  
T&R: Tape and Reel 2,000pcs/reel

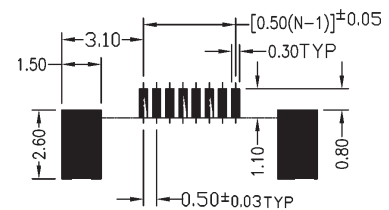
## Outline Dimensions for Top Contact



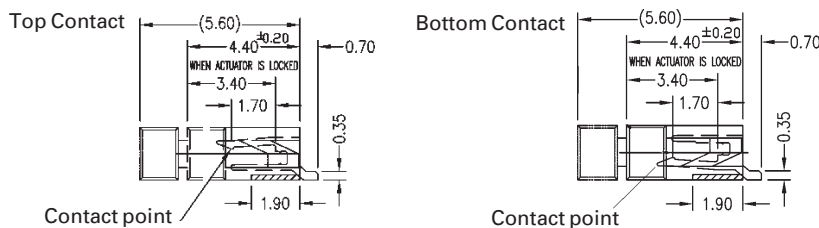
## Recommended FPC Cable



## Recommended PCB Layouts



## Contacts (side view)



| Part Number    | Dim. A | Dim. B | Dim. C |
|----------------|--------|--------|--------|
| FPC-98210-04*1 | 8.50   | 1.50   | 2.60   |
| FPC-98210-05*1 | 9.00   | 2.00   | 3.10   |
| FPC-98210-06*1 | 9.50   | 2.50   | 3.60   |
| FPC-98210-07*1 | 10.00  | 3.00   | 4.10   |
| FPC-98210-08*1 | 10.50  | 3.50   | 4.60   |
| FPC-98210-0911 | 11.00  | 4.00   | 5.10   |
| FPC-98210-10*1 | 11.50  | 4.50   | 5.60   |
| FPC-98210-11*1 | 12.00  | 5.00   | 6.10   |
| FPC-98210-12*1 | 12.50  | 5.50   | 6.60   |
| FPC-98210-13*1 | 13.00  | 6.00   | 7.10   |
| FPC-98210-14*1 | 13.50  | 6.50   | 7.60   |
| FPC-98210-15*1 | 14.00  | 7.00   | 8.10   |
| FPC-98210-16*1 | 14.50  | 7.50   | 8.60   |
| FPC-98210-17*1 | 15.00  | 8.00   | 9.10   |
| FPC-98210-18*1 | 15.50  | 8.50   | 9.60   |
| FPC-98210-19*1 | 16.00  | 9.00   | 10.10  |

| Part Number    | Dim. A | Dim. B | Dim. C |
|----------------|--------|--------|--------|
| FPC-98210-20*1 | 16.50  | 9.50   | 10.60  |
| FPC-98210-21*1 | 17.00  | 10.00  | 11.10  |
| FPC-98210-22*1 | 17.50  | 10.50  | 11.60  |
| FPC-98210-23*1 | 18.00  | 11.00  | 12.10  |
| FPC-98210-24*1 | 18.50  | 11.50  | 12.60  |
| FPC-98210-25*1 | 19.00  | 12.00  | 13.10  |
| FPC-98210-26*1 | 19.50  | 12.50  | 13.60  |
| FPC-98210-27*1 | 20.00  | 13.00  | 14.10  |
| FPC-98210-28*1 | 20.50  | 13.50  | 14.60  |
| FPC-98210-29*1 | 21.00  | 14.00  | 15.10  |
| FPC-98210-30*1 | 21.50  | 14.50  | 15.60  |
| FPC-98210-31*1 | 22.00  | 15.00  | 16.10  |
| FPC-98210-32*1 | 22.50  | 15.50  | 16.60  |
| FPC-98210-33*1 | 23.00  | 16.00  | 17.10  |
| FPC-98210-34*1 | 23.50  | 16.50  | 17.60  |
| FPC-98210-35*1 | 24.00  | 17.00  | 18.10  |

| Part Number    | Dim. A | Dim. B | Dim. C |
|----------------|--------|--------|--------|
| FPC-98210-36*1 | 24.50  | 17.50  | 18.60  |
| FPC-98210-37*1 | 25.00  | 18.00  | 19.10  |
| FPC-98210-38*1 | 25.50  | 18.50  | 19.60  |
| FPC-98210-39*1 | 26.00  | 19.00  | 20.10  |
| FPC-98210-40*1 | 26.50  | 19.50  | 20.60  |
| FPC-98210-41*1 | 27.00  | 20.00  | 21.10  |
| FPC-98210-42*1 | 27.50  | 20.50  | 21.60  |
| FPC-98210-43*1 | 28.00  | 21.00  | 22.10  |
| FPC-98210-44*1 | 28.50  | 21.50  | 22.60  |
| FPC-98210-45*1 | 29.00  | 22.00  | 23.10  |
| FPC-98210-46*1 | 29.50  | 22.50  | 23.60  |
| FPC-98210-47*1 | 30.00  | 23.00  | 24.10  |
| FPC-98210-48*1 | 30.50  | 23.50  | 24.60  |
| FPC-98210-49*1 | 31.00  | 24.00  | 25.10  |
| FPC-98210-50*1 | 31.50  | 24.50  | 25.60  |
| FPC-98210-60*1 | 36.50  | 29.50  | 30.60  |

## Specifications

Insulation Resistance: 100MΩ minimum  
 Contact Resistance: 20mΩ maximum  
 Withstanding Voltage: 500V AC rms for 1 minute  
 Voltage Rating: 25V DC  
 Current Rating: 0.3A  
 Operating Temp. Range: -25°C to +85°C

## Materials and Finish

Housing: PPS (UL94V-0)  
 Actuator: PPS (UL94V-0)  
 Contacts: Phosphor Bronze / Tin Plated

## Features

- 180° SMT Zero Insertion Force connector for 0.5mm Flexible Flat Cable (FFC) and Flexible Printed Circuit (FPC) appliances



## Part Number (Details)

FPC-98210- \*\* 01 - \*

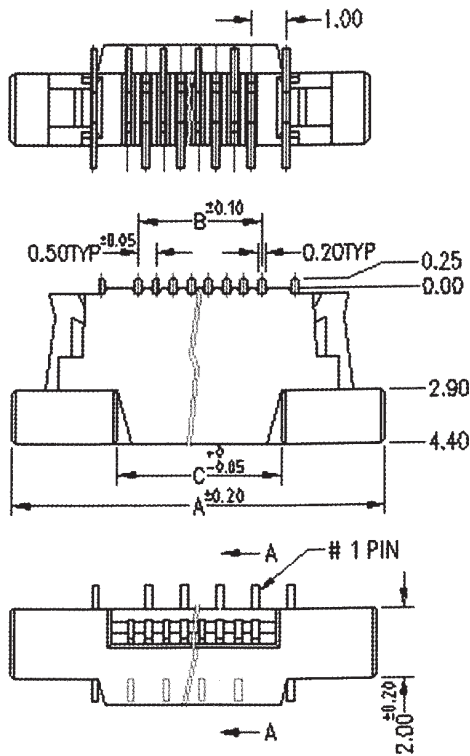
Series No.

No. of Contacts:  
4 to 50 pins

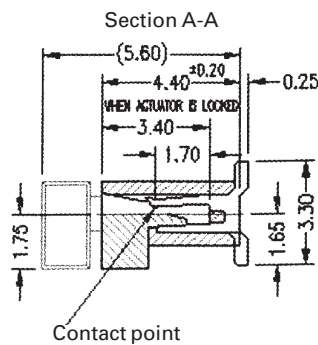
Vertical Type (180° SMT)

No Mark: Tube Packaging  
 T&R: Tape and Reel 1,000pcs/reel

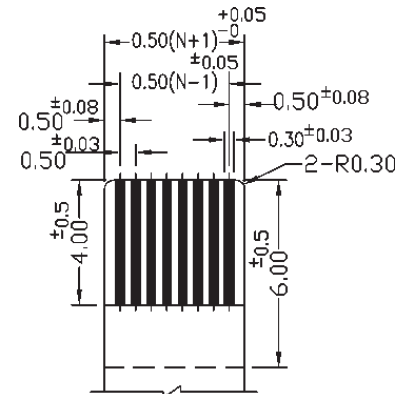
## Outline Dimensions for Top Contact



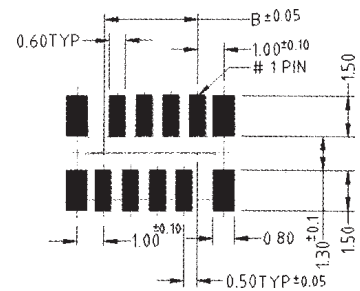
## Contact (side view)



## Recommended FPC Cable



## Recommended PCB Layouts



| Part Number     | Dim. A | Dim. B | Dim. C |
|-----------------|--------|--------|--------|
| FPC-98210-04-01 | 8.50   | 1.50   | 2.60   |
| FPC-98210-05-01 | 9.00   | 2.00   | 3.10   |
| FPC-98210-06-01 | 9.50   | 2.50   | 3.60   |
| FPC-98210-07-01 | 10.00  | 3.00   | 4.10   |
| FPC-98210-08-01 | 10.50  | 3.50   | 4.60   |
| FPC-98210-09-01 | 11.00  | 4.00   | 5.10   |
| FPC-98210-10-01 | 11.50  | 4.50   | 5.60   |
| FPC-98210-11-01 | 12.00  | 5.00   | 6.10   |
| FPC-98210-12-01 | 12.50  | 5.50   | 6.60   |
| FPC-98210-13-01 | 13.00  | 6.00   | 7.10   |
| FPC-98210-14-01 | 13.50  | 6.50   | 7.60   |
| FPC-98210-15-01 | 14.00  | 7.00   | 8.10   |
| FPC-98210-16-01 | 14.50  | 7.50   | 8.60   |
| FPC-98210-17-01 | 15.00  | 8.00   | 9.10   |
| FPC-98210-18-01 | 15.50  | 8.50   | 9.60   |
| FPC-98210-19-01 | 16.00  | 9.00   | 10.10  |

| Part Number     | Dim. A | Dim. B | Dim. C |
|-----------------|--------|--------|--------|
| FPC-98210-20-01 | 16.50  | 9.50   | 10.60  |
| FPC-98210-21-01 | 17.00  | 10.00  | 11.10  |
| FPC-98210-22-01 | 17.50  | 10.50  | 11.60  |
| FPC-98210-23-01 | 18.00  | 11.00  | 12.10  |
| FPC-98210-24-01 | 18.50  | 11.50  | 12.60  |
| FPC-98210-25-01 | 19.00  | 12.00  | 13.10  |
| FPC-98210-26-01 | 19.50  | 12.50  | 13.60  |
| FPC-98210-27-01 | 20.00  | 13.00  | 14.10  |
| FPC-98210-28-01 | 20.50  | 13.50  | 14.60  |
| FPC-98210-29-01 | 21.00  | 14.00  | 15.10  |
| FPC-98210-30-01 | 21.50  | 14.50  | 15.60  |
| FPC-98210-31-01 | 22.00  | 15.00  | 16.10  |
| FPC-98210-32-01 | 22.50  | 15.50  | 16.60  |
| FPC-98210-33-01 | 23.00  | 16.00  | 17.10  |
| FPC-98210-34-01 | 23.50  | 16.50  | 17.60  |
| FPC-98210-35-01 | 24.00  | 17.00  | 18.10  |

| Part Number     | Dim. A | Dim. B | Dim. C |
|-----------------|--------|--------|--------|
| FPC-98210-36-01 | 24.50  | 17.50  | 18.60  |
| FPC-98210-37-01 | 25.00  | 18.00  | 19.10  |
| FPC-98210-38-01 | 25.50  | 18.50  | 19.60  |
| FPC-98210-39-01 | 26.00  | 19.00  | 20.10  |
| FPC-98210-40-01 | 26.50  | 19.50  | 20.60  |
| FPC-98210-41-01 | 27.00  | 20.00  | 21.10  |
| FPC-98210-42-01 | 27.50  | 20.50  | 21.60  |
| FPC-98210-43-01 | 28.00  | 21.00  | 22.10  |
| FPC-98210-44-01 | 28.50  | 21.50  | 22.60  |
| FPC-98210-45-01 | 29.00  | 22.00  | 23.10  |
| FPC-98210-46-01 | 29.50  | 22.50  | 23.60  |
| FPC-98210-47-01 | 30.00  | 23.00  | 24.10  |
| FPC-98210-48-01 | 30.50  | 23.50  | 24.60  |
| FPC-98210-49-01 | 31.00  | 24.00  | 25.10  |
| FPC-98210-50-01 | 31.50  | 24.50  | 25.60  |