

**Cable side fine-wire coaxial cable**  
**LVC-C30LPMSG+**

**Fine-wire coaxial cable**

**For LCD**

**0.5 mm pitch**

**Cable sides**

RoHS

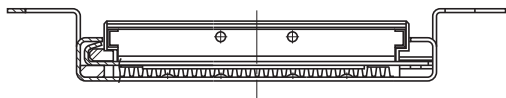
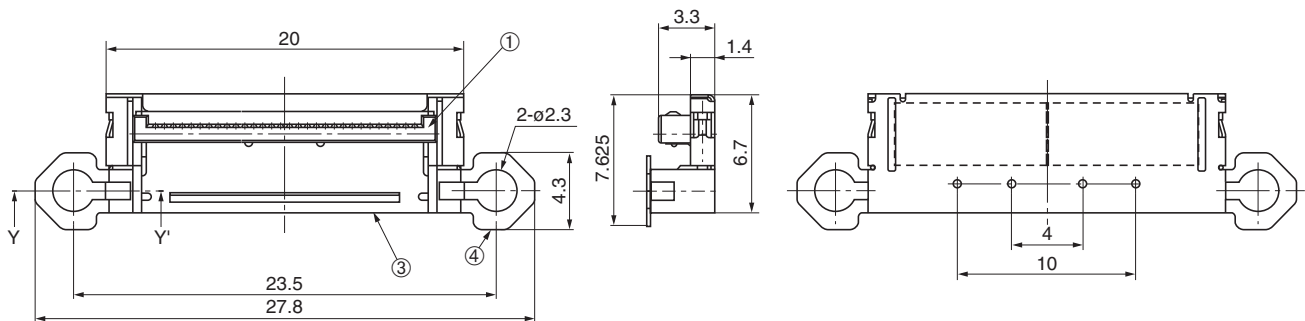
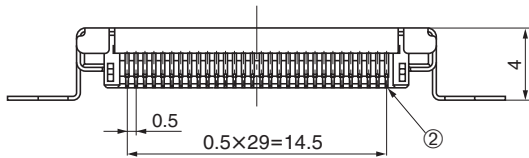


● Configuration of product Part No.

**LVC- C 30 LPMS G+**

① ② ③ ④

- ① Series name
- ② No. of contacts: 30
- ③ Type of contact  
LPMS: Cable-side right-angle, male
- ④ Contact plating  
G: Gold plate



Y-Y' cross section

● Components

①	Insulator
②	Contacts
③	Shield plate
④	Shell (Appended)

Note: By attaching Pull-tab, insertion and extraction of connector is easily possible.

Mating connector: LVC-C( )30SFYG+

Accessories: Pull tab, LVC-30P