

Cable side fine-wire coaxial cable
LVC-D20LPMSG+

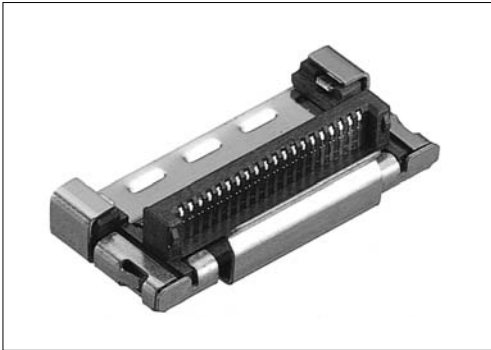
Fine-wire coaxial cable

For LCD

0.5 mm pitch

Cable sides

RoHS

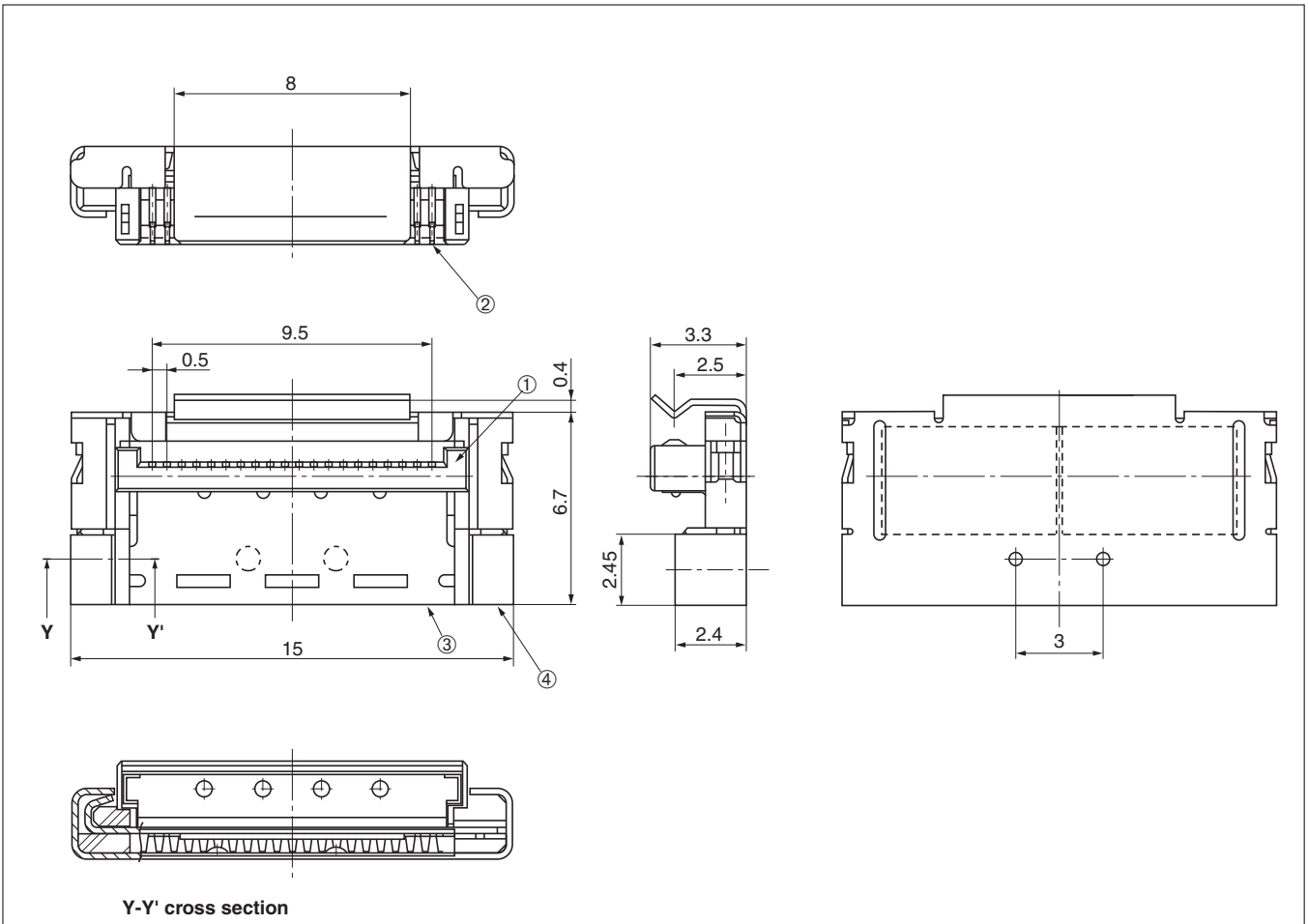


● Configuration of product Part No.

LVC- D 20 LPMS G+

① ② ③ ④

- ① Series name
- ② No. of contacts: 20
- ③ Type of contact
LPMS: Cable side right-angle, male
- ④ Contact plating
G: Gold plate



Y-Y' cross section

● Components

①	Insulator
②	Contacts
③	Shield plate
④	Shell (Appended)

Note: By attaching Pull-tab, insertion and extraction of connector is easily possible.

Mating connector: LVC-D20SFYG3.

Accessories: Pull tab, LVC-20P